

# Instructions for use

## WASHING MACHINE

GB

English,1

CIS

РУССКИЙ, 13

**ARXL 95**

### Contents

#### Installation, 2-3

Unpacking and levelling  
Connecting the electricity and water supplies  
The first wash cycle  
Technical data

#### Description of the washing machine and starting a wash cycle, 4-5

Control panel  
Indicator lights  
Starting a wash cycle

#### Wash cycles, 6

Table of wash cycles

#### Personalisation, 7

Setting the temperature  
Setting the spin speed  
Functions

#### Detergents and laundry, 8

Detergent dispenser drawer  
Bleach cycle  
Preparing the laundry  
Garments requiring special care  
Load balancing system

#### Precautions and tips, 9

General safety  
Disposal  
Opening the porthole door manually

#### Care and maintenance, 10

Cutting off the water or electricity supply  
Cleaning the washing machine  
Cleaning the detergent dispenser drawer  
Caring for the door and drum of your appliance  
Cleaning the pump  
Checking the water inlet hose

#### Troubleshooting, 11

#### Service, 12

 **Hotpoint**  
ARISTON

GB

# Installation

GB

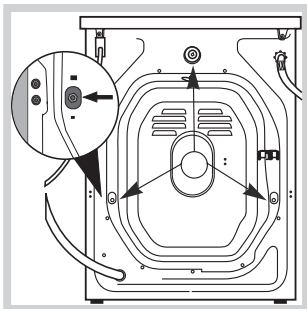
! This instruction manual should be kept in a safe place for future reference. If the washing machine is sold, transferred or moved, make sure that the instruction manual remains with the machine so that the new owner is able to familiarise himself/herself with its operation and features.

! Read these instructions carefully: they contain vital information relating to the safe installation and operation of the appliance.

## Unpacking and levelling

### Unpacking

1. Remove the washing machine from its packaging.
2. Make sure that the washing machine has not been damaged during the transportation process. If it has been damaged, contact the retailer and do not proceed any further with the installation process.



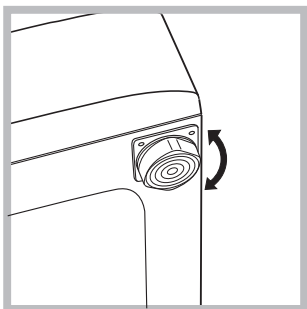
3. Remove the 3 protective screws (used during transportation) and the rubber washer with the corresponding spacer, located on the rear part of the appliance (see figure).

4. Close off the holes using the plastic plugs provided.
5. Keep all the parts in a safe place: you will need them again if the washing machine needs to be moved to another location.

! Packaging materials should not be used as toys for children.

### Levelling

1. Install the washing machine on a flat sturdy floor, without resting it up against walls, furniture cabinets or anything else.

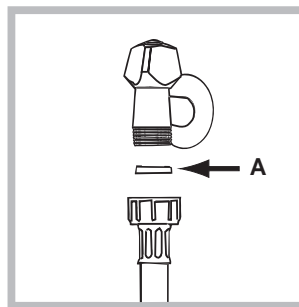


2. If the floor is not perfectly level, compensate for any unevenness by tightening or loosening the adjustable front feet (see figure); the angle of inclination, measured in relation to the worktop, must not exceed 2°.

Levelling the machine correctly will provide it with stability, help to avoid vibrations and excessive noise and prevent it from shifting while it is operating. If it is placed on carpet or a rug, adjust the feet in such a way as to allow a sufficient ventilation space underneath the washing machine.

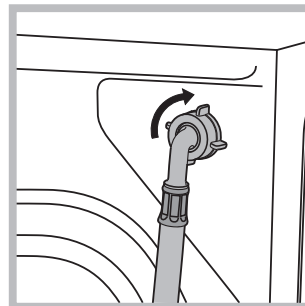
## Connecting the electricity and water supplies

### Connecting the water inlet hose



1. Insert seal A into the end of the inlet hose and screw the latter onto a cold water tap with a 3/4 gas threaded opening (see figure).

Before performing the connection, allow the water to run freely until it is perfectly clear.



2. Connect the inlet hose to the washing machine by screwing it onto the corresponding water inlet of the appliance, which is situated on the top right-hand side of the rear part of the appliance (see figure).

3. Make sure that the hose is not folded over or bent.

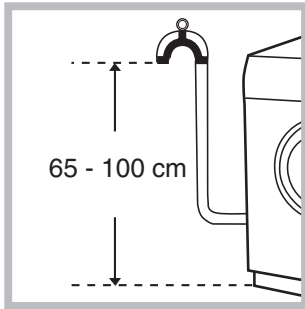
! The water pressure at the tap must fall within the values indicated in the Technical details table (see next page).

! If the inlet hose is not long enough, contact a specialised shop or an authorised technician.

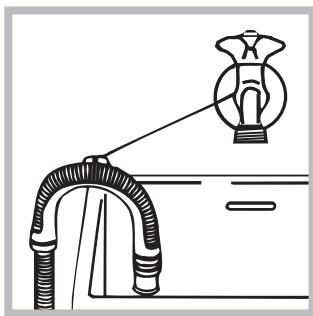
! Never use second-hand hoses.

! Use the ones supplied with the machine.

### Connecting the drain hose



Connect the drain hose, without bending it, to a drainage duct or a wall drain located at a height between 65 and 100 cm from the floor;



alternatively, rest it on the side of a washbasin or bathtub, fastening the duct supplied to the tap (see figure). The free end of the hose should not be underwater.

! We advise against the use of hose extensions; if it is absolutely necessary, the extension must have the same diameter as the original hose and must not exceed 150 cm in length.

### Electrical connections

Before plugging the appliance into the electricity socket, make sure that:

- the socket is earthed and complies with all applicable laws;
- the socket is able to withstand the maximum power load of the appliance as indicated in the Technical data table (see opposite);
- the power supply voltage falls within the values indicated in the Technical data table (see opposite);
- the socket is compatible with the plug of the washing machine. If this is not the case, replace the socket or the plug.

! The washing machine must not be installed outdoors, even in covered areas. It is extremely dangerous to leave the appliance exposed to rain, storms and other weather conditions.

! When the washing machine has been installed, the electricity socket must be within easy reach.

! Do not use extension cords or multiple sockets.

! The cable should not be bent or compressed.

! The power supply cable must only be replaced by authorised technicians.

Warning! The company shall not be held responsible in the event that these regulations are not respected.

### The first wash cycle

Once the appliance has been installed, and before you use it for the first time, run a wash cycle with detergent and no laundry, using the wash cycle 1.

### Technical data

<b>Model</b>	ARXL 95
<b>Dimensions</b>	width 59.5 cm height 85 cm depth 52,5 cm
<b>Capacity</b>	from 1 to 6 kg
<b>Electrical connections</b>	please refer to the technical data plate fixed to the machine
<b>Water connections</b>	maximum pressure 1 MPa (10 bar) minimum pressure 0.05 MPa (0.5 bar) drum capacity 46 litres
<b>Spin speed</b>	up to 900 rotations per minute
<b>Energy rated programmes according to regulation EN 60456</b>	programme 6; temperature 60°C; using a load of 6 kg.

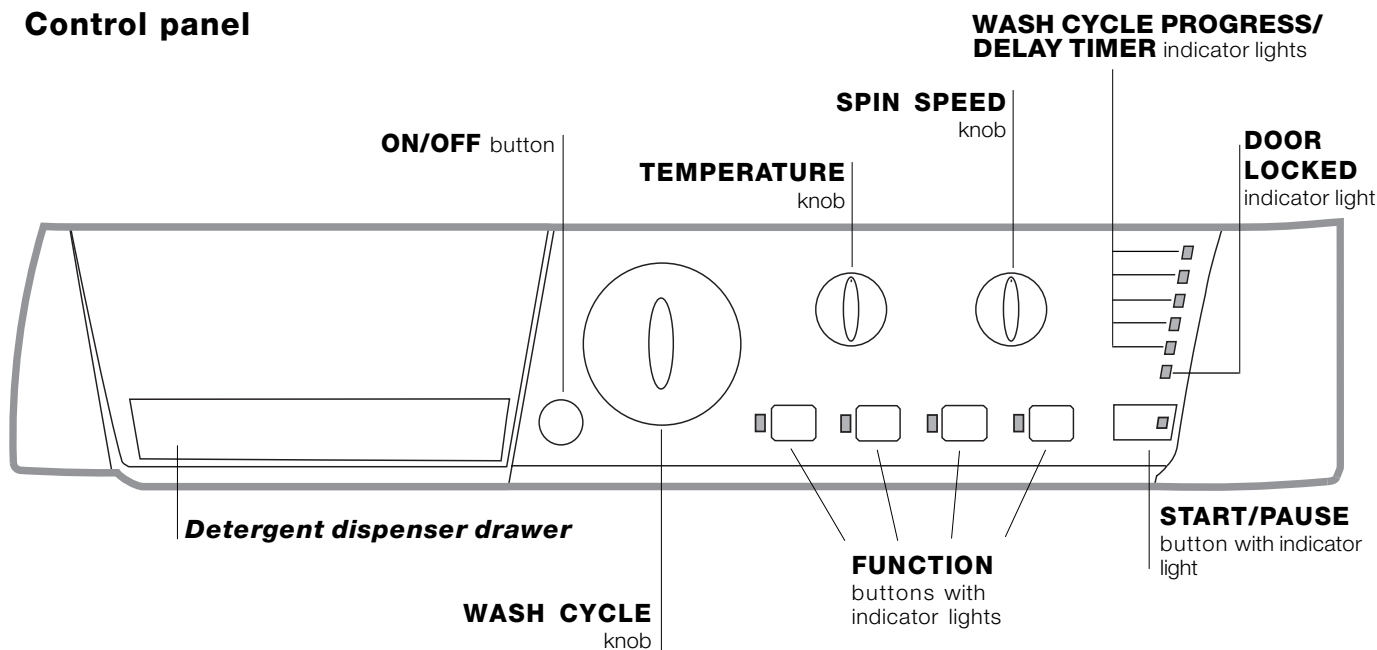


This appliance conforms to the following EC Directives:  
- 72/23/EEC dated 19/02/73 (Low Voltage) and subsequent modifications  
- 89/336/EEC dated 03/05/89 (Electromagnetic Compatibility) and subsequent modifications  
- 2002/96/EC

# Description of the washing machine and starting a wash cycle

GB

## Control panel



**Detergent dispenser drawer:** used to dispense detergents and washing additives (see “Detergents and laundry”).

There is a key which provides a summary of the available wash cycles inside the detergent dispenser drawer; this may be consulted at any time.

**ON/OFF button:** switches the washing machine on and off.

**WASH CYCLE knob:** programmes the wash cycles. During the wash cycle, the knob does not move.

**FUNCTION buttons with indicator light:** used to select the available functions. The indicator light corresponding to the selected function will remain lit.

**TEMPERATURE knob:** sets the temperature or the cold wash cycle (see “Personalisation”).

**SPIN SPEED knob:** sets the spin speed or exclude the spin cycle completely (see “Personalisation”).

## WASH CYCLE PROGRESS/DELAY TIMER


**indicator lights:** used to monitor the progress of the wash cycle.

The illuminated indicator light shows which phase is in progress.

If the Delay Timer function has been set, the time remaining until the wash cycle starts will be indicated (see next page).

**DOOR LOCKED indicator light:** indicates whether the door may be opened or not (see next page).

**START/PAUSE button with indicator light:** starts or temporarily interrupts the wash cycles.

**N.B.** To pause the wash cycle in progress, press this button; the corresponding indicator light will flash orange, while the indicator light for the current wash cycle phase will remain lit in a fixed manner. If the DOOR LOCKED  indicator light is switched off, the door may be opened.

To start the wash cycle from the point at which it was interrupted, press this button again.

## Indicator lights

The indicator lights provide important information. This is what they can tell you:

### Delayed start

If the DELAY TIMER function has been activated (see "Personalisation"), after the wash cycle has been started the indicator light corresponding to the selected delay period will begin to flash:



As time passes, the remaining delay will be displayed and the corresponding indicator light will flash:



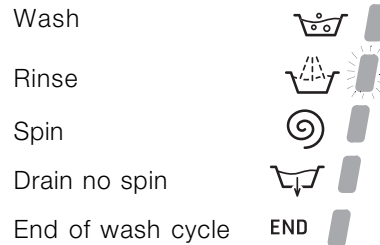
Once the set delay has elapsed, the flashing indicator light will switch off and the selected wash cycle will begin.

## Starting a wash cycle

1. Switch the washing machine on by pressing the ON/OFF button. All indicator lights will switch on for a few seconds, then they will switch off and the START/PAUSE indicator light will pulse.
2. Load the laundry and close the door.
3. Set the WASH CYCLE knob to the desired programme.
4. Set the washing temperature (see "Personalisation").
5. Set the spin speed (see "Personalisation").
6. Measure out the detergent and washing additives (see "Detergents and laundry").
7. Select the desired functions.
8. Start the wash cycle by pressing the START/PAUSE button and the corresponding indicator light will remain lit in a fixed manner, in green.  
To cancel the set wash cycle, pause the machine by pressing the START/PAUSE button and select a new cycle.
9. At the end of the wash cycle the END indicator light will switch on. The DOOR LOCKED indicator light will switch off, indicating that the door may be opened. Take out your laundry and leave the appliance door ajar to make sure the drum dries completely.  
Switch the washing machine off by pressing the ON/OFF button.

### Wash cycle phase indicator lights

Once the desired wash cycle has been selected and has begun, the indicator lights switch on one by one to indicate which phase of the cycle is currently in progress.



### Function buttons and corresponding indicator lights

When a function is selected, the corresponding indicator light will illuminate.

If the selected function is not compatible with the programmed wash cycle, the corresponding indicator light will flash and the function will not be activated. If a function which is incompatible with another function selected previously, only the most recent selection will remain active.

### Door locked indicator light

If this indicator light is on, the appliance door is locked to prevent it from being opened accidentally; to avoid any damage, wait for the indicator light to switch off before you open the appliance door.

**N.B.** If the DELAY TIMER function is activated, the door cannot be opened; pause the machine by pressing the START/PAUSE button if you wish to open it.

! If the START/PAUSE indicator light (orange) flashes rapidly at the same time as the function indicator light, this indicates a problem has occurred (see "Troubleshooting").

# Wash cycles

GB

**Table of wash cycles**

Wash cycles	Description of the wash cycle	Max temp. (°C)	Max. speed (rpm)	Detergents			Max. load (kg)	Cycle duration
				Bleach	Wash	Fabric softener		
<b>Special cycles</b>								
<b>6</b>	<b>Sanitizing cycle:</b> Extremely soiled whites.	90°	900	●	●	●	6	165
<b>6</b>	<b>Sanitizing cycle (1):</b> Heavily soiled whites and resistant colours.	60°	900	-	●	●	6	155
<b>7</b>	<b>Goodnigt cycle:</b> Lightly soiled delicate colours.	40°	800	-	●	●	4	290
<b>8</b>	<b>Baby cycle:</b> Heavily soiled delicate colours.	40°	800	-	●	●	2	118
<b>9</b>	<b>Shirts</b>	40°	600	-	●	●	2	70
<b>10</b>	<b>Silk/Curtains:</b> For garments in silk and viscose, lingerie.	30°	0	-	●	●	1	55
<b>11</b>	<b>Wool:</b> For wool, cashmere, etc.	40°	600	-	●	●	1,5	55
<b>Everyday wash cycles (Daily)</b>								
<b>1</b>	<b>Cotton:</b> Heavily soiled whites and resistant colours.	60°	900	●	●	●	6	130
<b>1</b>	<b>Cotton (2):</b> Heavily soiled whites and delicate colours.	40°	900	●	●	●	6	115
<b>2</b>	<b>Coloured Cottons (3):</b> Lightly soiled whites and delicate colours.	40°	900	●	●	●	6	85
<b>3</b>	<b>Synthetics resists:</b> Heavily soiled resistant colours.	60°	800	-	●	●	2,5	85
<b>3</b>	<b>Synthetics delicates:</b> Lightly soiled resistant colours.	40°	800	-	●	●	2,5	70
<b>4</b>	<b>Mix 30':</b> To refresh lightly soiled garments quickly (not suitable for wool, silk and clothes which require washing by hand).	30°	800	-	●	●	3	30
<b>5</b>	<b>Mix 15':</b> To refresh lightly soiled garments quickly (not suitable for wool, silk and clothes which require washing by hand).	30°	800	-	●	●	1,5	15
<b>Partials wash cycles</b>								
<b>A</b>	Rinse	-	900	-	-	●	6	44
<b>B</b>	Light rinse	-	800	-	-	●	2,5	37
<b>C</b>	Spin	-	900	-	-	-	6	16
<b>D</b>	Light spin	-	800	-	-	-	2,5	12
<b>E</b>	Drain no spin	-	0	-	-	-	6	2

The information contained in the table is intended as a guide only.

**For all Test Institutes:**

- 1) Test wash cycle in compliance with regulation EN 60456: set wash cycle 6 with a temperature of 60°C.
- 2) Long wash cycle for cottons: set wash cycle 1 with a temperature of 40°C.
- 3) Short wash cycle for cottons: set wash cycle 2 with a temperature of 40°C.

**Specials wash cycles**

**Sanitizing cycle** (wash cycle 6). A high-temperature hygienic wash cycle (over 60°C) which requires the use of bleach. Pour the bleach, the detergent and the additives into the relevant compartments (see paragraph entitled "Detergent dispenser drawer").

**Goodnigt cycle** (wash cycle 7). This is a silent cycle which can be run at night, when the electricity prices are lower. The wash cycle is designed for cottons and synthetics. At the end of the cycle the machine stops while there is still water in the drum; to spin and drain the laundry press the START/PAUSE button; alternatively the machine will perform the spin cycle and drain the water automatically after 8 hours.

**Baby cycle** (wash cycle 8). This wash cycle can be used to remove the soiling typically caused by babies, while ensuring that all detergent is removed from nappies in order to prevent the delicate skin of babies from suffering allergies. The cycle has been designed to reduce the amount of bacteria by using a greater quantity of water and optimising the effect of special disinfecting additives added to the detergent.

At the end of the wash cycle, the machine will slowly rotate the drum to prevent the formation of creases; to end the cycle press the START/PAUSE button.

**Mix 30'** (wash cycle 4) this wash cycle was designed to wash lightly soiled garments quickly: it lasts just 30 minutes and therefore saves both energy and time. By selecting this wash cycle (4 at 30°C), it is possible to wash different fabrics together (except for wool and silk items), with a maximum load of 3 kg.

**Mix 15'**(wash cycle 5) this wash cycle was designed to wash lightly soiled garments quickly: it lasts just 15 minutes and therefore saves both energy and time. By selecting this wash cycle (5 at 30°C), it is possible to wash different fabrics together (except for wool and silk items), with a maximum load of 1.5 kg.

## Setting the temperature

Turn the TEMPERATURE knob to set the wash temperature (see *Table of wash cycles*).

The temperature may be lowered, or even set to a cold wash (❄).

The washing machine will automatically prevent you from selecting a temperature which is higher than the maximum value set for each wash cycle.

## Setting the spin speed

Turn the SPIN SPEED knob to set the spin speed for the selected wash cycle.

The maximum spin speeds available for each wash cycle are as follows:

Wash cycles	Maximum spin speed
Cottons	900 rpm
Synthetics	800 rpm
Wool	600 rpm
Silk	drain only

The spin speed may be lowered, or the spin cycle can be excluded altogether by selecting the symbol (⊘).

The washing machine will automatically prevent you from selecting a spin speed which is higher than the maximum speed set for each wash cycle.

## Functions

The various wash functions available with this washing machine will help to achieve the desired results, every time.

To activate the functions:

1. Press the button corresponding to the desired function;
2. the function is enabled when the corresponding indicator light is illuminated.

Note: If the indicator light flashes rapidly, this signals that this particular function may not be selected in conjunction with the selected wash cycle.

### Delay timer

This timer delays the start time of the wash cycle by up to 12 hours.

Press the button repeatedly until the indicator light corresponding to the desired delay time switches on. The fifth time the button is pressed, the function will be disabled.

**N.B.** Once you have pressed the START/PAUSE button, the delay time may only be decreased if you wish to modify it.

! This option is enabled with all programmes.

### Easy iron

By selecting this function, the wash and spin cycles will be modified in order to reduce the formation of creases.

At the end of the cycle the washing machine will perform slow rotations of the drum; the EASY IRON and START/PAUSE indicator lights will flash (orange) and the END phase will remain lit in a fixed manner. To end the cycle, press the START/PAUSE button or the EASY IRON button.

For the **Silk** (10) wash cycle, the machine will end the cycle while the laundry is soaking, the EASY IRON and START/PAUSE indicator lights will flash (orange) and the RINSE phase will remain lit in a fixed manner. To drain the water so that the laundry may be removed, press the START/PAUSE button or the EASY IRON button.

! This function may not be used in conjunction with wash cycles 4, 5, 6, 7, 8, 11, C, D, E.

### Extra rinse

By selecting this function, the efficiency of the rinse is increased and optimal detergent removal is guaranteed. It is particularly useful for sensitive skin.

! This function may not be used in conjunction with wash cycles 4, 5, C, D, E.

### Super Wash

Because a greater quantity of water is used in the initial phase of the cycle, and because of the increased cycle duration, this function offers a high-performance wash.

! This function may not be used in conjunction with wash cycles 4, 5, 6, 10, 11, A, B, C, D, E.

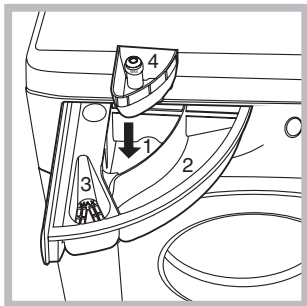
# Detergents and laundry

GB

## Detergent dispenser drawer

Good washing results also depend on the correct dose of detergent: adding too much detergent will not necessarily result in a more efficient wash, and may in fact cause build up on the inside of your appliance and contribute to environmental pollution.

! Do not use hand washing detergents because these create too much foam.



Open the detergent dispenser drawer and pour in the detergent or washing additive, as follows.

### compartment 1: Pre-wash detergent (powder)

Before pouring in the detergent, make sure that extra compartment 4 has been removed.

### compartment 2: Detergent for the wash cycle (powder or liquid)

Liquid detergent should only be poured in immediately prior to the start of the wash cycle.

### compartment 3: Additives (fabric softeners, etc.)

The fabric softener should not overflow the grid.

### extra compartment 4: Bleach

## Bleach cycle

Bleaching may only be performed in conjunction with wash cycles **1**, **2**, **6**.

Pour the bleach into extra compartment **4**; pour the detergent and softener into the corresponding compartments, then select one of the abovementioned wash cycles.

This option is recommended only for very soiled cotton garments.

## Preparing the laundry

- Divide the laundry according to:
  - the type of fabric/the symbol on the label
  - the colours: separate coloured garments from whites.
- Empty all garment pockets and check the buttons.
- Do not exceed the listed values, which refer to the weight of the laundry when dry:
  - Durable fabrics: max. 6 kg
  - Synthetic fabrics: max. 2,5 kg
  - Delicate fabrics: max. 2 kg
  - Wool: max. 1.5 kg

## How much does your laundry weigh?

- 1 sheet 400-500 g
- 1 pillow case 150-200 g
- 1 tablecloth 400-500 g
- 1 bathrobe 900-1200 g
- 1 towel 150-250 g

## Garments requiring special care


**Shirts:** use special wash cycle **9** to wash shirts in various fabrics and colours.

It guarantees maximum care is taken of the garments and minimises the formation of creases.

**Silk:** use special wash cycle **10** to wash all silk garments. We recommend the use of special detergent which has been designed to wash delicate clothes.

**Curtains:** fold curtains and place them in a pillow case or mesh bag. Use wash cycle **10**.

**Wool:** Hotpoint/Ariston is the only washing machine manufacturer to have been awarded the prestigious Woolmark Platinum Care endorsement (M.0508) by the Woolmark Company, which means that all woollen garments may be washed in the washing machine, even those which state "hand wash only"

 on the label. Wash cycle **11** therefore offers complete peace of mind when washing woollen garments in the washing machine (max. load 1.5 kg) and guarantees optimal performance.

## Load balancing system

Before every spin cycle, to avoid excessive vibrations and to distribute the load in a uniform manner, the drum rotates continuously at a speed which is slightly greater than the washing rotation speed. If, after several attempts, the load is not balanced correctly, the machine spins at a reduced spin speed. If the load is excessively unbalanced, the washing machine performs the distribution process instead of spinning. To encourage improved load distribution and balance, we recommend small and large garments are mixed in the load.



! This washing machine was designed and constructed in accordance with international safety regulations. The following information is provided for safety reasons and must therefore be read carefully.

## General safety

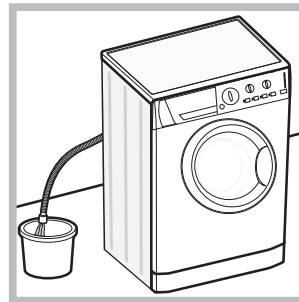
- This appliance was designed for domestic use only.
- The washing machine must only be used by adults, in accordance with the instructions provided in this manual.
- Do not touch the machine when barefoot or with wet or damp hands or feet.
- Do not pull on the power supply cable when unplugging the appliance from the electricity socket. Hold the plug and pull.
- Do not open the detergent dispenser drawer while the machine is in operation.
- Do not touch the drained water as it may reach extremely high temperatures.
- Never force the porthole door. This could damage the safety lock mechanism designed to prevent accidental opening.
- If the appliance breaks down, do not under any circumstances access the internal mechanisms in an attempt to repair it yourself.
- Always keep children well away from the appliance while it is operating.
- The door can become quite hot during the wash cycle.
- If the appliance has to be moved, work in a group of two or three people and handle it with the utmost care. Never try to do this alone, because the appliance is very heavy.
- Before loading laundry into the washing machine, make sure the drum is empty.

## Disposal

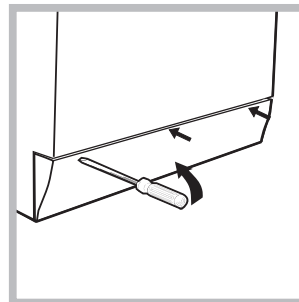
- Disposing of the packaging materials: observe local regulations so that the packaging may be re-used.
  - The European Directive 2002/96/EC on Waste Electrical and Electronic Equipment, requires that old household electrical appliances must not be disposed of in the normal unsorted municipal waste stream. Old appliances must be collected separately in order to optimise the recovery and recycling of the materials they contain and reduce the impact on human health and the environment. The crossed out "wheeled bin" symbol on the product reminds you of your obligation, that when you dispose of the appliance it must be separately collected.
- Consumers should contact their local authority or retailer for information concerning the correct disposal of their old appliance.

## Opening the porthole door manually

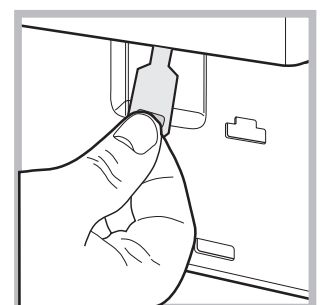
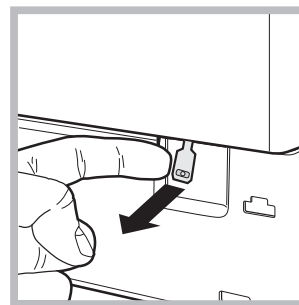
In the event that it is not possible to open the porthole door due to a powercut, and if you wish to remove the laundry, proceed as follows:



1. remove the plug from the electrical socket.
2. make sure the water level inside the machine is lower than the door opening; if it is not, remove excess water using the drain hose, collecting it in a bucket as indicated in the figure.



3. using a screwdriver, remove the cover panel on the lower front part of the washing machine (see figure).



4. pull outwards using the tab as indicated in the figure, until the plastic tie-rod is freed from its stop position; pull downwards and open the door at the same time.

5. reposition the panel, making sure the hooks are securely in place before you push it onto the appliance.

# Care and maintenance

GB

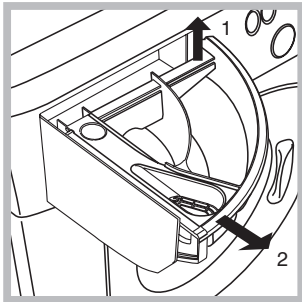
## Cutting off the water and electricity supplies

- Turn off the water tap after every wash cycle. This will limit wear on the hydraulic system inside the washing machine and help to prevent leaks.
- Unplug the washing machine when cleaning it and during all maintenance work.

## Cleaning the washing machine

The outer parts and rubber components of the appliance can be cleaned using a soft cloth soaked in lukewarm soapy water. Do not use solvents or abrasives.

## Cleaning the detergent dispenser drawer



Remove the dispenser by raising it and pulling it out (see figure). Wash it under running water; this operation should be repeated frequently.

## Caring for the door and drum of your appliance

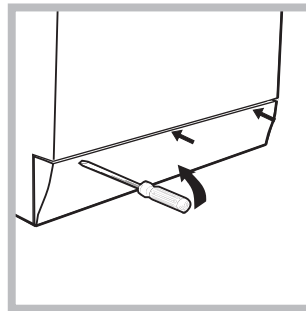
- Always leave the porthole door ajar in order to prevent unpleasant odours from forming.

## Cleaning the pump

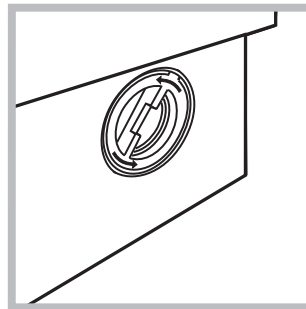
The washing machine is fitted with a self-cleaning pump which does not require any maintenance. Sometimes, small items (such as coins or buttons) may fall into the pre-chamber which protects the pump, situated in its bottom part.

! Make sure the wash cycle has finished and unplug the appliance.

To access the pre-chamber:



1. using a screwdriver, remove the cover panel on the lower front part of the washing machine (see figure);



2. unscrew the lid by rotating it anti-clockwise (see figure); a little water may trickle out. This is perfectly normal;

3. clean the inside thoroughly;
4. screw the lid back on;
5. reposition the panel, making sure the hooks are securely in place before you push it onto the appliance.

## Checking the water inlet hose

Check the inlet hose at least once a year. If there are any cracks, it should be replaced immediately: during the wash cycles, water pressure is very strong and a cracked hose could easily split open.

! Never use second-hand hoses.

Your washing machine could fail to work. Before contacting the Technical Assistance Centre (see “Assistance”), make sure that the problem cannot be not solved easily using the following list.

## **Problem:**

## **Possible causes / Solutions:**

**The washing machine does not switch on.**

- The appliance is not plugged into the socket fully, or is not making contact.
- There is no power in the house.

**The wash cycle does not start.**

- The washing machine door is not closed properly.
- The ON/OFF button has not been pressed.
- The START/PAUSE button has not been pressed.
- The water tap has not been opened.
- A delayed start has been set (see “Personalisation”).

**The washing machine does not take in water (the indicator light for the first wash cycle stage flashes rapidly).**

- The water inlet hose is not connected to the tap.
- The hose is bent.
- The water tap has not been opened.
- There is no water supply in the house.
- The pressure is too low.
- The START/PAUSE button has not been pressed.

**The washing machine continuously takes in and drains water.**

- The drain hose is not fitted at a height between 65 and 100 cm from the floor (see “Installation”).
- The free end of the hose is under water (see “Installation”).
- The wall drainage system is not fitted with a breather pipe.

If the problem persists even after these checks, turn off the water tap, switch the appliance off and contact the Assistance Service. If the dwelling is on one of the upper floors of a building, there may be problems relating to water drainage, causing the washing machine to fill with water and drain continuously. Special anti-draining valves are available in shops and help to avoid this inconvenience.

**The washing machine does not drain or spin.**

- The wash cycle does not include draining: some wash cycles require the drain phase to be started manually.
- The EASY IRON function has been activated: To complete the wash cycle, press the START/PAUSE button (“Personalisation”).
- The drain hose is bent (see “Installation”).
- The drainage duct is clogged.

**The washing machine vibrates a lot during the spin cycle.**

- The drum was not unlocked correctly during installation (see “Installation”).
- The washing machine is not level (see “Installation”).
- The washing machine is trapped between cabinets and walls (see “Installation”).

**The washing machine leaks.**

- The water inlet hose is not screwed on properly (see “Installation”).
- The detergent dispenser drawer is blocked (for cleaning instructions, see “Care and maintenance”).
- The drain hose is not fixed properly (see “Installation”).

**The START/PAUSE indicator light (orange) and the function indicator lights flash rapidly.**

- Switch off the machine and unplug it, wait for approximately 1 minute and then switch it back on again.  
If the problem persists, contact the Technical Assistance Service.

**There is too much foam.**

- The detergent is not suitable for machine washing (it should display the text “for washing machines” or “hand and machine wash”, or the like).
- Too much detergent was used.

# Service

---

GB

## **Before calling for Assistance:**

- Check whether you can solve the problem alone (see “*Troubleshooting*”);
- Restart the programme to check whether the problem has been solved;
- If this is not the case, contact an authorised Technical Assistance Centre using the telephone number provided on the guarantee certificate.

! Always request the assistance of authorised technicians.

## **Have the following information to hand:**

- the type of problem;
- the appliance model (Mod.);
- the serial number (S/N).

This information can be found on the data plate applied to the rear of the washing machine, and can also be found on the front of the appliance by opening the door.

CIS

Русский

ARXL 95

CIS

### Содержание

#### Установка 14-15

Распаковка и нивелировка  
Подключение к водопроводу и электричеству  
Первый цикл стирки  
Технические характеристики

#### Описание стиральной машины и порядка запуска программы, 16-17

Панель управления  
Индикаторы  
Порядок запуска программы

#### Программы, 18

Таблица программ

#### Персонализированные настройки, 19

Регулировка температуры  
Выбор скорости отжима  
Дополнительные функции

#### Моющие средства и типы белья, 20

Распределитель моющих средств  
Отбеливание  
Подготовка белья  
Изделия, требующие деликатной стирки  
Система балансировки белья

#### Предосторожности и рекомендации, 21

Общие требования к безопасности  
Утилизация  
Аварийное открытие люка

#### Техническое обслуживание и уход, 22

Отключение воды и электрического тока  
Уход за стиральной машиной  
Уход за распределителем моющих средств  
Уход за люком и барабаном  
Уход за насосом  
Проверка водопроводного шланга

#### Поиск неисправностей и методы их устранения, 23

#### Сервисное обслуживание, 24

 **Hotpoint**  
ARISTON

# Установка

CIS

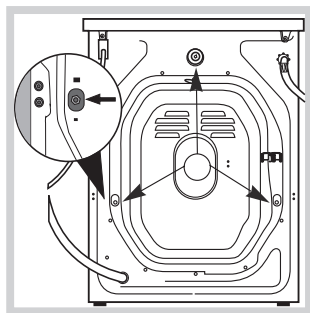
**!** Важно сохранить данное руководство для его последующего использования в случае продажи, передачи или переезда на новую квартиру необходимо проверить, чтобы руководство оставалось вместе со стиральной машиной, чтобы ее новый владелец мог ознакомиться с порядком ее функционирования и соответствующими предупреждениями.

**!** Внимательно прочитайте инструкции: в них содержатся важные сведения об установке изделия, его эксплуатации и безопасности.

## Распаковка и нивелировка

### Снятие упаковки

1. Снимите с машины упаковку.
2. Проверьте, чтобы стиральная машина не была повреждена в процессе перевозки. В случае обнаружения повреждений немедленно обратитесь к поставщику, не подключая машину.



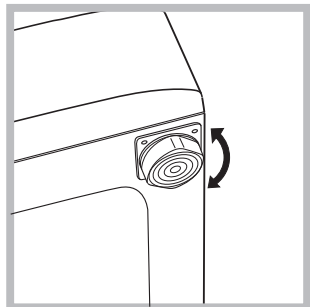
3. Снимите 3 транспортировочных болта, предохраняющие машину в процессе перевозки, и резиновую заглушку с соответствующей распорной шайбой, расположенные в задней части стиральной машины (см. схему).

4. Закройте отверстия прилагающимися пластиковыми заглушками.
5. Сохраните все детали: они должны быть установлены на стиральную машину в случае ее перевозки.

**!** Не разрешайте детям играть с упаковочными материалами.

### Нивелировка

1. Установите стиральную машину на ровном и прочном полу, не прислоняя ее к стенам, мебели и прочим предметам.

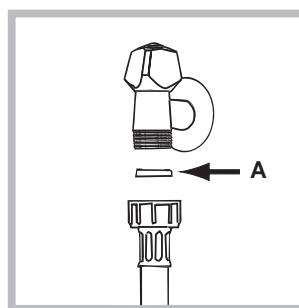


2. Если пол не является идеально горизонтальным, необходимо компенсировать неровность, отрегулировав по высоте передние ножки (см. схему). Уклон, измеренный при помощи уровня, установленного на поверхность машины, не должен превышать 2°.

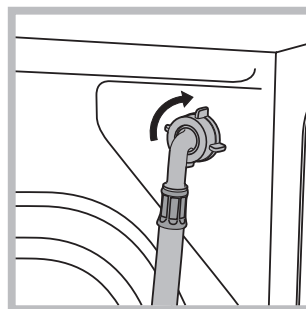
Точная нивелировка обеспечивает стабильность стиральной машины, помогает избежать ее вибраций и смещений в процессе функционирования. В случае установки машины на ковер или ковролин отрегулируйте ножки таким образом, чтобы под стиральной машиной оставался достаточный зазор для вентиляции.

## Подключение к водопроводу и электричеству

### Порядок подключения к водопроводному шлангу



1. Вставьте прокладку A в конец водопроводного шланга и привинтите его к водопроводному крану холодной воды с резьбовым отверстием 3/4 газ (см. схему). Перед подсоединением откройте водопроводный кран до тех пор, пока из него не потечет чистая вода.



2. Подсоедините водопроводный шланг к машине, привинтив его к специальному водопроводному крану, расположенному в задней верхней части справа (см. схему).

3. Проверьте, чтобы водопроводный шланг не был заломлен или сжат.

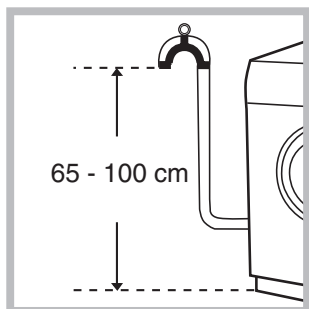
**!** Давление воды в водопроводном кране должно быть в пределах значений, указанных в таблице Технические данные (см. страницу рядом).

**!** Если длина водопроводного шланга будет недостаточной, следует обратиться в специализированный магазин или в уполномоченный сервисный центр

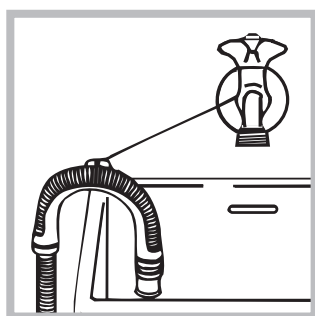
**!** Никогда не пользуйтесь б/у шлангами.

**!** Используйте шланги, прилагающиеся к машине.

### Подсоединение сливного шланга



Подсоедините сливной шланг, не перегибая его, к сливной трубе или к настенному сливному отверстию, распложенному на высоте от 65 до 100 см от пола,



или поместите шланг в раковину или в ванну, закрепив прилагающуюся направляющую к крану (см. схему). Свободный конец сливного шланга не должен быть погружен в воду.

! Не рекомендуется использовать удлинительные шланги. При необходимости удлинение должно иметь такой же диаметр, что и оригинальный шланг, и его длина не должна превышать 150 см.

### Подключение к электросети

Перед включением изделия к розетке электросети необходимо проверить следующее:

- розетка электросети должна быть соединена с заземлением и соответствовать нормативам;
- розетка электросети должна быть рассчитана на максимальную мощность стиральной машины, указанную в таблице Технические данные (см. таблицу сбоку);
- напряжение электросети должно соответствовать значениям, указанным в таблице Технические данные (см. таблицу сбоку);
- электрическая розетка должна подходить к штепсельной вилке стиральной машины. В противном случае необходимо заменить розетку.

! Запрещается устанавливать стиральную машину на улице, даже под навесом, так как опасно подвергать ее воздействию дождя и грозы.

! Стиральная машина должна быть расположена таким образом, чтобы доступ к розетке электросети оставался свободным.

! Не используйте удлинители и тройники.

! Сетевой кабель изделия не должен быть согнут или сжат.

! Замена сетевого кабеля может осуществляться только уполномоченными сервисными центрами.

Внимание! Фирма снимает с себя всякую ответственность в случае несоблюдения вышеописанных правил.

### Первый цикл стирки

По завершении установки, перед началом эксплуатации необходимо произвести один цикл стирки со стиральным порошком, но без белья, по программе 1.

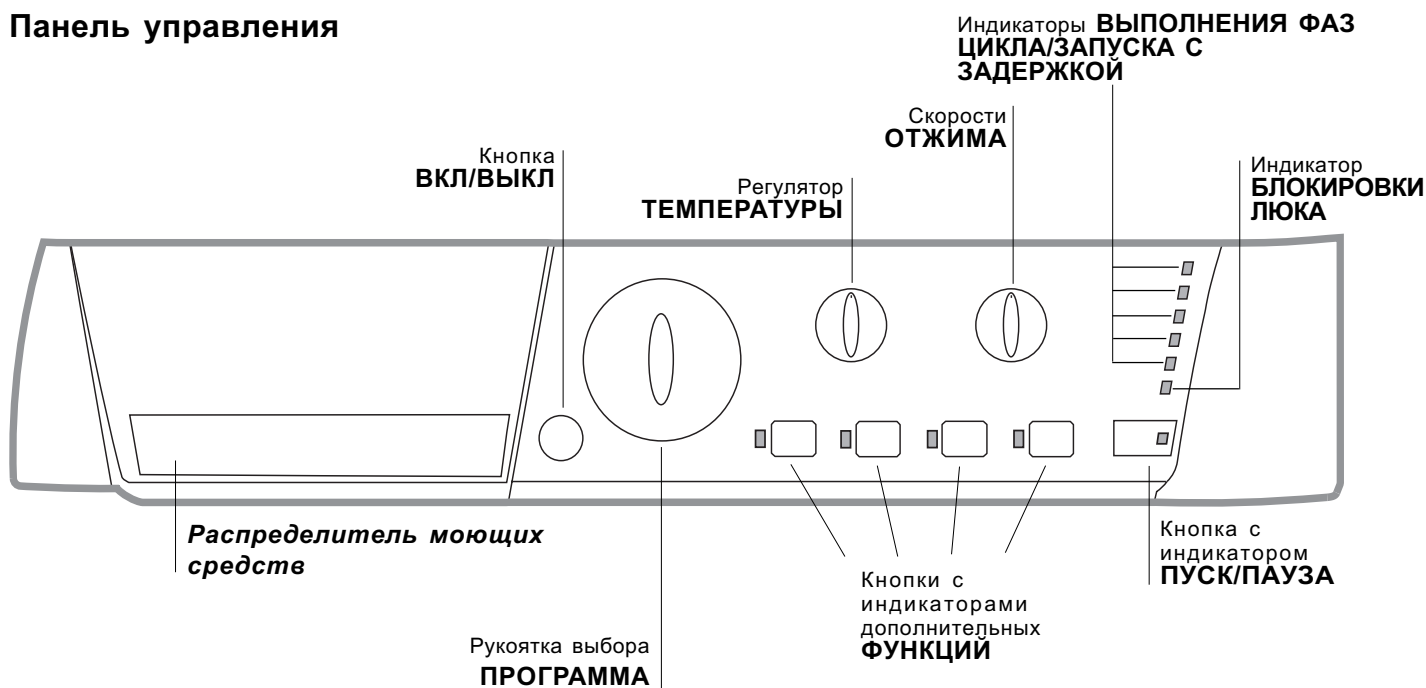
### Технические характеристики

<b>Модель</b>	ARXL 95
<b>Размеры</b>	ширина 59,5 см высота 85 см глубина 52,5 см
<b>Загрузка</b>	1 - 6 кг
<b>Электрические параметры</b>	смотрите паспортную табличку с техническими характеристиками на машине
<b>Гидравлические параметры</b>	max давление 1 Мпа (10 бар) min давление 0,05 Мпа (0,5 бар) объем барабана 46 л
<b>Скорость отжима</b>	до 900 об/мин
<b>Контрольные программы согласно нормативу EN 60456</b>	программа 6; температура 60°C; при загрузке до 6 кг.
 	Машина соответствует следующим Директивам Европейского Экономического сообщества: - 73/23/ EEC от 19.02.73 (низкого напряжения) и последующие модификации - 89/336 /EEC от 03.05.89 (электромагнитной совместимости) и последующие модификации - 2002/96/CE

# Описание стиральной машины и порядка запуска программы

CIS

## Панель управления



**Распределитель моющих средств:** для загрузки стиральных веществ и добавок (см. «Моющие средства и типы белья»). Внутри распределителя моющих средств имеется краткий перечень программ.

Кнопка **ВКЛ/ВЫКЛ**: служит для включения и выключения стиральной машины.

Рукоятка выбора **ПРОГРАММА**: служит для выбора программ. В процессе выполнения программы рукоятка не вращается.

Кнопки с индикаторами дополнительных **ФУНКЦИЙ**: служат для выбора имеющихся дополнительных функций. Индикатор, соответствующий выбранной функции, останется включенным.

Скорости **ОТЖИМА**: служит для выбора скорости отжима или для его исключения (см. «Персонализированные настройки»).

Регулятор **ТЕМПЕРАТУРЫ**: служит для настройки температуры или для стирки в холодной воде (см. «Персонализированные настройки»).

Индикаторы **ВЫПОЛНЕНИЯ ФАЗ ЦИКЛА/ЗАПУСКА С ЗАДЕРЖКОЙ**: показывают последовательность выполнения программы стирки. Включенный индикатор соответствует текущей фазе. Если была включена функция «Таймер отсрочки», индикаторы будут показывать время, остающееся до запуска программы (см. [страницу сбоку](#)).

Индикатор **БЛОКИРОВКИ ЛЮКА**: показывает, можно ли открыть люк (см. [страницу сбоку](#)).

Кнопка с индикатором **ПУСК/ПАУЗА**: служит для запуска или для временного прерывания программы.

**ПРИМЕЧАНИЕ:** для временного прерывания текущего цикла стирки нажмите эту кнопку. Соответствующий индикатор замигает оранжевым цветом, а индикатор текущей фазы стирки будет гореть, не мигая. Если индикатор **БЛОКИРОВКИ ЛЮКА** погас, можно открыть люк.

Для возобновления цикла стирки с момента, когда он был прерван, вновь нажмите **ПУСК/ПАУЗА**.



## Индикаторы

Индикаторы сообщают пользователю важные сведения. Значение индикаторов:

### Таймер отсрочки

Если была включена функция «Таймер отсрочки» (см. «Персонализированные настройки»), после запуска программы начнет мигать индикатор, соответствующий заданному времени задержки:



По мере отсчета времени будет показываться остающееся время вместе с миганием соответствующего индикатора.



По прошествии заданного времени задержки мигающий индикатор погаснет, и запустится заданная программа.

### Индикаторы текущей фазы цикла:

После выбора и запуска цикла стирки индикаторы будут загораться один за другим, показывая последовательность выполнения программы:



### Кнопки дополнительных функций и соответствующие индикаторы

При выборе функции загорается соответствующая кнопка.

Если выбранная функция является несовместимой с заданной программой, соответствующий индикатор будет мигать, и такая функция не будет включена. Если будет выбрана функция, несовместимая с другой, ранее выбранной функцией, останется включенной только последняя выбранная функция.

### Индикатор блокировки люка:

Включенный индикатор означает, что люк заблокирован во избежание его случайного открывания. Во избежание его повреждения необходимо дождаться, когда индикатор погаснет, перед тем как открыть люк.

**ПРИМЕЧАНИЕ:** если включена функция «Таймер отсрочки», люк открыть нельзя. Для этого необходимо переключить машину в режим паузы при помощи кнопки ПУСК/ПАУЗА.

**!** Быстрое мигание индикатора ПУСК/ПАУЗА (оранжевый) одновременно с индикатором функций означает неисправность (см. «Неисправности и методы их устранения»).

## Порядок запуска программы

1. Включите стиральную машину, нажав кнопку ВКЛ/ВЫКЛ. Все индикаторы загорятся на несколько секунд, затем погаснут, останется мигать индикатор ПУСК/ПАУЗА.
2. Загрузите белье в барабан и закройте люк.
3. Задайте рукояткой ПРОГРАММА нужную программу.
4. Задайте температуру стирки (см. «Персонализированные настройки»).
5. Задайте скорость отжима (см. «Персонализированные настройки»).
6. Поместите моющие средства и добавки (см. «Стиральные вещества и типы белья»).
7. Включите нужные дополнительные функции.
8. Запустите программу при помощи кнопки ПУСК/ПАУЗА, соответствующий индикатор загорится зеленым цветом. Для отмены заданного цикла переключите машину в режим паузы при помощи кнопки ПУСК/ПАУЗА и выберите новый цикл.
9. По завершении программы загорится индикатор END. Индикатор БЛОКИРОВКИ ЛЮКА погаснет, показывая, что теперь можно открыть люк. Выньте белье и оставьте люк полуоткрытым для сушки барабана. Выключите стиральную машину, нажав кнопку ВКЛ/ВЫКЛ.

# Программы

CIS

Таблица программ

Программы	Описание программы	Макс. темп. (°C)	Макс. скорость (об./мин.)	Стиральные средства			Макс. загрузка (кг)	Продолжить цикла
				Отбеливатель	Стирка	Ополаскиватель		
<b>Специальные программы</b>								
6	<b>ЦИКЛ АНТИБАКТЕРИЯ:</b> сильнозагрязненное белое белье.	90°	900	●	●	●	6	165
6	<b>ЦИКЛ АНТИБАКТЕРИЯ (1):</b> сильнозагрязненное белое и прочное цветное белье.	60°	900	-	●	●	6	155
7	<b>НОЧНОЙ ЦИКЛ:</b> слабозагрязненное деликатное цветное белье.	40°	800	-	●	●	4	290
8	<b>ДЕТСКОЕ БЕЛЬЕ:</b> сильнозагрязненное деликатное цветное белье.	40°	800	-	●	●	2	118
9	<b>РУБАШКИ</b>	40°	600	-	●	●	2	70
10	<b>ШЕЛК/ЗАНАВЕСКИ:</b> Для изделий из шелка, вискозы и нижнего белья.	30°	0	-	●	●	1	55
11	<b>ШЕРСТЬ:</b> Для шерсти, кашемира и т.д.	40°	600	-	●	●	1,5	55
<b>Ежедневные программы</b>								
1	<b>ХЛОПОК:</b> сильнозагрязненное белое и прочное цветное белье.	60°	900	●	●	●	6	130
1	<b>ХЛОПОК (2):</b> сильнозагрязненное белое и деликатное цветное белье.	40°	900	●	●	●	6	115
2	<b>ХЛОПОК (3):</b> сильнозагрязненное белое и цветное деликатное белье.	40°	900	●	●	●	6	85
3	<b>СИНТЕТИКА:</b> Сильнозагрязненное прочное цветное белье.	60°	800	-	●	●	2,5	85
3	<b>СИНТЕТИКА:</b> Слабозагрязненное прочное цветное белье.	40°	800	-	●	●	2,5	70
4	<b>МИКС 30':</b> Для быстрого освежения малогарязного белья (не для шерсти, шелка и изделия ручной стирки).	30°	800	-	●	●	3	30
5	<b>МИКС 15':</b> Для быстрого освежения малогарязного белья (не для шерсти, шелка и изделия ручной стирки).	30°	800	-	●	●	1,5	15
<b>Дополнительные программы</b>								
A	Полоскание	-	900	-	-	●	6	44
B	Деликатное Полоскание	-	800	-	-	●	2,5	37
C	Отжим	-	900	-	-	-	6	16
D	Деликатный отжим	-	800	-	-	-	2,5	12
E	Слив без отжима	-	0	-	-	-	6	2

Приведенные в таблице значения являются примерными.

Для всех институтов тестирования:

- 1) Программы управления в соответствии с Директивой EN 60456: задайте программу 6 с температурой 60°C.
- 2) Длинная программа для х/б белья: задайте программу 1 с температурой 40°C.
- 3) Короткая программа для х/б белья: задайте программу 2 с температурой 40°C.

## Специальные программы

**ЦИКЛ АНТИБАКТЕРИЯ** (программа 6). Дезинфицирующая программа с высокой температурой, предусматривающая использование отбеливателя при температуре выше 60°C. Для отбеливания залейте отбеливатель, моющее средство и добавки в соответствующие ячейки (см параграф «Распределитель мощных средств»).

**НОЧНОЙ ЦИКЛ** (программа 7). Это бесшумный цикл, который можно включить ночью, экономя электроэнергию. Данная программа рассчитана на стирку синтетических и х/б вещей. По завершении цикла машина останавливается с водой в барабане; для слива и отжима нажмите кнопку ПУСК/ПАУЗА, в противном случае по прошествии 8 часов машина автоматически произведет слив воды и отжим.

**ДЕТСКОЕ БЕЛЬЕ** (программа 8). Программа удаляет типичные загрязнения детской одежды, гарантируя удаление моющего средства из ткани во избежание аллергии чувствительной детской кожи. Данный цикл рассчитан на сокращение количества бактерий благодаря использованию большего объема воды и оптимизируя воздействие специальных дезинфицирующих добавок старильного вещества.

По завершении стирки машина продолжит медленно вращать барабан во избежание сминания белья. Для остановки цикла нажмите кнопку ПУСК/ПАУЗА.

**МИКС 30'** (программа 4) предназначена для быстрой стирки слабозагрязненного белья цикл длится всего 30 минут, что позволяет сэкономить время и электроэнергию. По этой программе (4, 30°C) можно стирать вместе белье из разных тканей (за исключением шерсти и шелка) с максимальной загрузкой 3 кг.

**МИКС 15'** (программа 5) предназначена для быстрой стирки слабозагрязненного белья цикл длится всего 15 минут, что позволяет сэкономить время и электроэнергию. По этой программе (5, 30°C) можно стирать вместе белье из разных тканей (за исключением шерсти и шелка) с максимальной загрузкой 1,5 кг.

## Регулировка температуры

Настройка температуры стирки производится при помощи регулятора ТЕМПЕРАТУРЫ (см. *Таблицу программ*). Значение температуры может быть уменьшено вплоть до стирки в холодной воде (☸).

Машина автоматически не допускает выбор температуры, превышающий максимальное значение, предусмотренное для каждой программы.

## Выбор скорости отжима

Выбор скорости отжима выбранной программы производится при помощи регулятора скорости ОТЖИМ. Для разных программ предусматривается разная максимальная скорость отжима:

Программы	Максимальная скорость отжима
Хлопок	900 оборотов в минуту
Синтетические ткани	800 оборотов в минуту
Шерсть	600 оборотов в минуту
Шелк	без отжима

Скорость отжима может быть уменьшена, или же отжим может быть совсем исключен, повернув регулятор в положение ☸.

Машина автоматически не допускает выбор скорости отжима, превышающий максимальную скорость, предусмотренную для каждой программы.

## Дополнительные функции

Различные функции стирки машины позволяют достичь желаемой чистоты и белизны вашего белья.

Порядок выбора функций:

1. нажмите кнопку нужной вам функции;
2. включение соответствующего индикатора означает, что функция включена.

Примечание: Частое мигание индикатора означает, что данная функция не может быть выбрана для заданной программы.

## Таймер отсрочки

Задерживает запуск цикла вплоть до 12 часов.

Нажмите кнопку несколько раз вплоть до включения индикатора, соответствующего нужному значению задержки.

При пятом нажатии кнопки функция отключается.

ПРИМЕЧАНИЕ: После нажатия кнопки ПУСК/ПАУЗА, можно изменить значение задержки только в сторону уменьшения.

! Эта функция совместима с любой программой.

## Легкая глажка

При выборе этой функции циклы стирки и отжима изменяются таким образом, чтобы сократить складки на белье.

По завершении цикла машина производит медленное вращение барабана. Индикатор функции ЛЕГКАЯ ГЛАЖКА и индикатор ПУСК/ПАУЗА мигают (оранжевым цветом), индикатор фазы "END" горит, не мигая. Для завершения цикла нажмите кнопку ПУСК/ПАУЗА или кнопку ЛЕГКАЯ ГЛАЖКА.

При выборе программы **Шелк** (10) машина завершает цикл без слива воды, индикатор функции ЛЕГКАЯ ГЛАЖКА и индикатор ПУСК/ПАУЗА мигают (оранжевым цветом), индикатор фазы "Полоскание" горит, не мигая. Для слива воды и выгрузки белья необходимо нажать кнопку ПУСК/ПАУЗА или кнопку ЛЕГКАЯ ГЛАЖКА.

! Эта функция несовместима с программами 4, 5, 6, 7, 8, 11, C, D, E.

## Дополнительное Полоскание

При выборе этой функции повышается эффективность ополаскивания, обеспечивая максимальное удаление моющего вещества. Эта функция особенно удобна для людей с кожей, чувствительной к стиральным веществам.

! Эта функция несовместима с программами 4, 5, C, D, E.

## Суперстирка

Обеспечивает оптимальную стирку благодаря использованию большего объема воды в начале цикла и большей продолжительности цикла.

! Эта функция несовместима с программами 4, 5, 6, 10, 11, A, B, C, D, E.

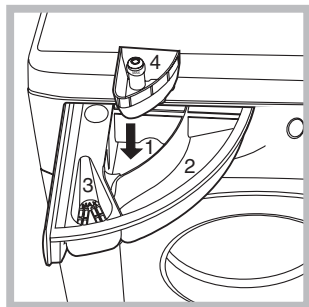
# Моющие средства и типы белья

CIS

## Распределитель моющих средств

Хороший результат стирки зависит также от правильной дозировки стирального вещества: избыток стирального вещества не гарантирует более эффективную стирку, напротив, способствует образованию налетов внутри стиральной машины и загрязнению окружающей среды.

**!** Не используйте моющие средства для ручной стирки, так как они образуют слишком много пены.



Выньте распределитель и поместите в него моющее средство или добавку в следующем порядке.

### отделение 1: моющее средство для предварительной стирки (порошок)

Перед засыпкой стирального порошка необходимо проверить, чтобы не был установлен дополнительный отделение 4.

### отделение 2: Моющее средство для стирки (порошок или жидкое)

Моющее средство для стирки заливается непосредственно перед запуском машины.

### отделение 3: Добавки (ополаскиватель и т.д.)

Не наливайте ополаскиватель выше решетки отделения.

### дополнительное отделение 4: Отбеливатель

## Отбеливание

Отбеливание производится только с программами **1, 2, 6**.

Поместите отбеливатель в дополнительное отделение **4**, моющее средство и ополаскиватель в соответствующие отделения, затем выберите одну из вышеуказанных программ.

Рекомендуется только для очень грязного х/б белья.

## Подготовка белья

- Разделите белье по следующим признакам:
  - тип ткани / обозначения на этикетке.
  - цвет: отделите цветное белье от белого.
- Выньте из карманов все предметы и проверьте пуговицы.
- Не превышайте максимальную загрузку барабана, указанную для сухого белья:
  - Прочные ткани: макс. 6 кг
  - Синтетические ткани: макс. 2,5 кг
  - Деликатные ткани: макс. 2 кг
  - Шерсть: макс. 1,5 кг

## Сколько весит белье?

- 1 простыня 400-500 гр.
- 1 наволочка 150-200 гр.
- 1 скатерть 400-500 гр.
- 1 халат 900-1200 гр.
- 1 полотенце 150-250 гр.


## Изделия, требующие деликатной стирки

**Рубашки:** используйте специальную программу **9** для стирки рубашек из разных тканей и разных цветов.

Это обеспечит максимальную сохранность вещей и сделает их менее мятыми.

**Шелк:** используйте специальную программу **10** для стирки всех шелковых вещей. Рекомендуется использовать специальное стиральное вещество для деликатных тканей.

**Занавески:** рекомендуется свернуть их и поместить в прилагающийся мешок. Используйте программу **10**.

**Шерсть:** Стиральная машина марки Hotpoint/Ariston единственная получила престижный знак Woolmark Platinum Care (M.0508) от Компании The Woolmark Company, который сертифицирует машинную стирку всех шерстяных изделий, даже тех, на этикетках которых указано «только ручная стирка» . При выборе программы **11** вы можете надежно и эффективно стирать любые шерстяные изделия (макс. 1,5 кг) с гарантированным лучшими результатами.

## Система балансировки белья

Перед каждым отжимом во избежание чрезмерных вибраций и для равномерного распределения белья в барабане машина производит вращения со скоростью, слегка превышающей скорость стирки. Если после нескольких попыток белье не будет правильно сбалансировано, машина произведет отжим на меньшей скорости по сравнению с предусмотренной.

! Стиральная машина спроектирована и изготовлена в соответствии с международными нормативами по безопасности. Необходимо внимательно прочитать настоящие предупреждения, составленные в целях вашей безопасности.

## Общие требования к безопасности

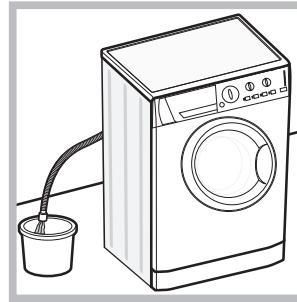
- Данное изделие предназначено исключительно для домашнего использования.
- Стиральной машиной должны пользоваться только взрослые лица, соблюдающие инструкции, приведенные в данном техническом руководстве.
- Не прикасайтесь к изделию влажными руками, босиком или во влажной одежде.
- Не тяните за сетевой кабель для отсоединения изделия из электро розетки, возьмитесь за вилку рукой.
- Не открывайте распределитель порошка в процессе стирки.
- Избегайте контактов со сливаемой водой, так как она может быть очень горячей.
- Категорически запрещается открывать люк силой: это может привести к повреждению защитного механизма, предохраняющего от случайного открытия машины.
- В случае неисправности категорически запрещается открывать внутренние механизмы изделия с целью их самостоятельного ремонта.
- Избегайте контактов детей с работающей стиральной машиной.
- В процессе стирки люк стиральной машины может нагреться.
- При необходимости переместить стиральную машину следует выполнять эту операцию вдвоем или втроем с предельной осторожностью. Никогда не перемещайте машину в одиночку, так как машина очень тяжелая.
- Перед загрузкой в стиральную машину белья проверьте, чтобы барабан был пуст.

## Утилизация

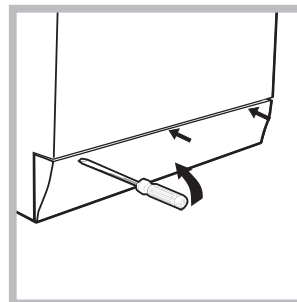
- Уничтожение упаковочных материалов: соблюдайте местные нормативы с целью повторного использования упаковочных материалов.
- Согласно Европейской Директиве 2002/96/CE касательно утилизации электронных и электрических электроприборов электроприборы не должны выбрасываться вместе с обычным городским мусором. Выведенные из строя приборы должны собираться отдельно для оптимизации их утилизации и рекуперации составляющих их материалов, а также для безопасности окружающей среды и здоровья. Символ зачеркнутая мусорная корзина, имеющийся на всех приборах, служит напоминанием об их отдельной утилизации.  
За более подробной информацией о правильной утилизации бытовых электроприборов пользователи могут обратиться в специальную государственную организацию или в магазин.

## Аварийное открытие люка

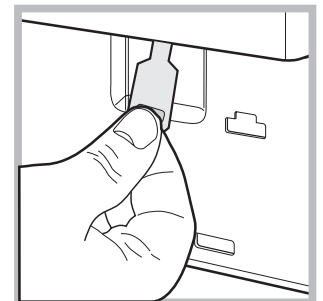
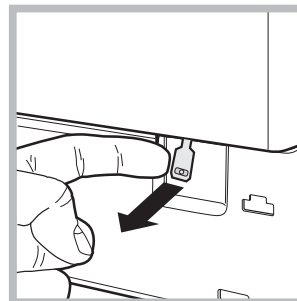
Если по причине отключения электроэнергии невозможно открыть люк машины, чтобы выгрузить чистое белье, действуйте следующим образом:



1. выньте штепсельную вилку машины из электро розетки.
2. проверьте, чтобы уровень воды в машине был ниже отверстия люка. В противном случае слейте излишек воды через сливную трубу в ведро, как показано на схеме.



3. снимите переднюю панель стиральной машины при помощи отвертки (см. схему).



4. потяните наружу язычок, показанный на схеме, вплоть до освобождения пластикового блокировочного винта. Затем потяните его вниз и одновременно откройте люка.

5. установите на место переднюю панель, проверив перед ее прикреплением к машине, чтобы крюки вошли в соответствующие петли.

# Техническое обслуживание и уход

CIS

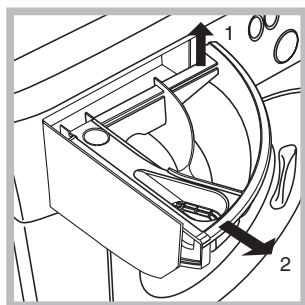
## Отключение воды и электрического тока

- Перекрывайте водопроводный кран после каждой стирки. Таким образом сокращается износ водопроводной системы машины и сокращается риск утечек.
- Выньте штепсельную вилку из электро розетки в процессе чистки и технического обслуживания стиральной машины.

## Уход за стиральной машиной

Для чистки наружных и резиновых частей стиральной машины используйте тряпку, смоченную теплой водой с мылом. Не используйте растворители или абразивные чистящие средства.

## Уход за распределителем моющих средств



Выньте распределитель, приподняв ее и потянув наружу (см. схему). Промойте распределитель теплой водой. Эта операция должна выполняться регулярно.

## Уход за люком и барабаном

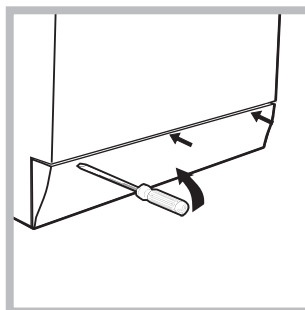
- После использования стиральной машины всегда следует оставлять люк полуоткрытым во избежание образования неприятных запахов в барабане.

## Уход за насосом

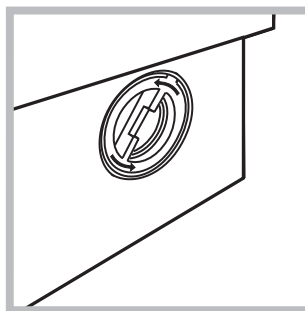
Стиральная машина оснащена самоочищающимся насосом, не нуждающимся в техническом обслуживании. Тем не менее мелкие предметы (монеты, пуговицы) могут упасть за кожух, предохраняющий насос, расположенный в его нижней части.

**!** Проверьте, чтобы цикл стирки завершился, и выньте штепсельную вилку из сетевой розетки.

Для доступа к кожуху:



1. снимите переднюю панель стиральной машины при помощи отвертки (см. схему);



2. отвинтите крышку, повернув ее против часовой стрелки (см. схему): небольшая утечка воды является нормальным явлением;

3. тщательно прочистите внутри кожуха;
4. закрутите крышку на место;
5. установите на место переднюю панель, проверив перед ее креплением к машине, чтобы крюки вошли в соответствующие петли.

## Проверка водопроводного шланга

Проверяйте шланг подачи воды не реже одного раза в год. При обнаружении трещин или разрывов шланга замените его: в процессе стирки сильное давление воды в водопроводе может привести к внезапному отсоединению шланга.

**!** Никогда не пользуйтесь б/у шлангами.

Если ваша стиральная машина не работает. Прежде чем обратиться в Центр Сервисного обслуживания (см. *Сервисное обслуживание*), проверьте, можно ли устранить неисправность, следуя рекомендациям, приведенным в следующем перечне.

## Неисправности:

## Возможные причины / Методы устранения:

**Стиральная машина не включается.**

- Штепсельная вилка не соединена с электро розеткой или отходит и не обеспечивает контакта.
- В доме отключено электричество.

**Цикл стирки не запускается.**

- Люк машины закрыт неплотно.
- Не была нажата кнопка ВКЛ/ВЫКЛ.
- Не была нажата кнопка ПУСК/ПАУЗА.
- Перекрыт водопроводный кран.
- Была запрограммирована задержка запуска цикла (Таймер отсрочки, (см. *«Персонализированные настройки»*)).

**Стиральная машина не заливает воду (часто мигает индикатор первой фазы стирки).**

- Водопроводный шланг не подсоединен к крану.
- Шланг согнут.
- Перекрыт водопроводный кран.
- В доме нет воды.
- Недостаточное водопроводное давление.
- Не была нажата кнопка ПУСК/ПАУЗА.

**Машина непрерывно заливает и сливает воду.**

- Сливной шланг не находится на высоте 65 – 100 см. от пола (см. *«Установка»*).
- Конец сливного шланга погружен в воду (см. *«Установка»*).
- Настенное сливное отверстие не оснащено вантузом для выпуска воздуха.

Если после вышеперечисленных проверок неисправность не будет устранена, следует перекрыть водопроводный кран, выключить стиральную машину и обратиться в Центр Сервисного Обслуживания. Если ваша квартира находится на последних этажах здания, могут наблюдаться явления сифона, поэтому стиральная машина производит непрерывный залив и слив воды. Для устранения этой аномалии в продаже имеются специальные клапаны против явления сифона.

**Стиральная машина не сливает воду и не отжимает белье.**

- Выбранная программа не предусматривает слив воды: для некоторых программ необходимо включить слив вручную.
- Включена функция ЛЕГКАЯ ГЛАЖКА: для завершения программы нажмите кнопку ПУСК/ПАУЗА (см. *«Персонализированные настройки»*).
- Сливной шланг согнут (см. *«Установка»*).
- Засорен сливной трубопровод.

**Стиральная машина сильно вибрирует в процессе отжима.**

- В момент установки стиральной машины барабан был разблокирован неправильно (см. *«Установка»*).
- Стиральная машина установлена неровно (см. *«Установка»*).
- Машина зажата между стены и мебелью (см. *«Установка»*).

**Утечки воды из стиральной машины.**

- Плохо прикручен водопроводный шланг (см. *«Установка»*).
- Засорен распределитель моющего средства (порядок его чистки см. в параграфе *«Техническое обслуживание и уход»*).
- Сливной шланг плохо закреплен (см. *«Установка»*).

**Индикатор ПУСК/ПАУЗА (оранжевый) и индикаторы функций часто мигают.**

- Выключите машину и выньте штепсельную вилку из сетевой розетки, подождите 1 минуту и вновь включите машину. Если неисправность не устраняется, обратитесь в Сервисную Службу.

**В процессе стирки образуется слишком обильная пена.**

- Моющее средство непригодно для стирки в стиральной машине (на упаковке должно быть указано «для стирки в стиральной машине», «для ручной и машинной стирки» или подобное).
- В распределитель было помещено чрезмерное количество моющего средства.

**Перед тем как обратиться в Службу Сервиса:**

- Проверьте, нельзя ли устранить неисправность самостоятельно (см. «Неисправности и методы их устранения»);
- Вновь запустите программу для проверки исправности машины;
- В противном случае обратиться в Авторизованный Сервисный Центр по телефонам, указанным в гарантийном таллоне.

**!** Никогда не обращайтесь к неавторизованным сервисным центрам.

**При обращении в Сервисную Службу необходимо сообщить:**

- тип неисправности;
- модель изделия (Мод.);
- номер тех. паспорта (серийный №).

Серийный номер и модель указаны на паспортной табличке, расположенной на задней панели и спереди люка стиральной машины.