

Instructions for use

WASHING MACHINE

GB

English, 1

PL

Polski, 13

CIS

РУССКИЙ, 25

GR

Ελληνικά, 37

ARTXL 129

Contents

Installation, 2-3

Unpacking and levelling
Connecting the electricity and water supplies
The first wash cycle
Technical data

Description of the washing machine and starting a wash cycle, 4-5

Control panel
Indicator lights
How to open and shut the drum
Starting a wash cycle

Wash cycles, 6

Table of wash cycles

Personalisation, 7

Setting the temperature
Setting the spin speed
Functions

Detergents and laundry, 8

Detergent dispenser drawer
Bleach cycle
Preparing the laundry
Garments requiring special care
Load balancing system

Precautions and tips, 9

General safety
Disposal
Saving energy and respecting the environment

Care and maintenance, 10

Cutting off the water or electricity supply
Cleaning the washing machine
Caring for your appliance door and drum
Cleaning the pump
Checking the water inlet hose
How to clean the detergent dispenser

Troubleshooting, 11

Service, 12

 **Hotpoint**

ARISTON

GB

Installation

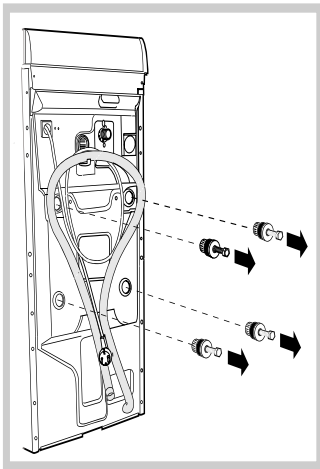
GB

! Keep this instruction manual in a safe place for future reference. Should the appliance be sold, transferred or moved, make sure the instruction manual accompanies the washing machine to inform the new owner as to its operation and features.

! Read these instructions carefully: they contain vital information on installation, use and safety.

Unpacking and levelling

Unpacking



1. Unpack the washing machine.
2. Check whether the washing machine has been damaged during transport. If this is the case, do not install it and contact your retailer.
3. Remove the four protective screws and the rubber washer with the respective spacer, situated on the rear of the appliance (see figure).

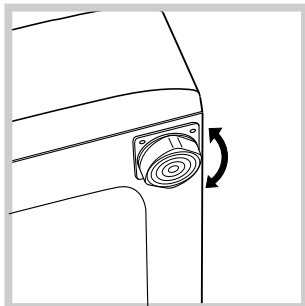
4. Seal the gaps using the plastic plugs provided.
5. Keep all the parts: you will need them again if the washing machine needs to be moved to another location.

Warning: should the screws be re-used, make sure you fasten the shorter ones at the top.

! Packaging materials are not children's toys.

Levelling

Your machine may make a considerable amount of noise if the two front feet have not been adjusted correctly.

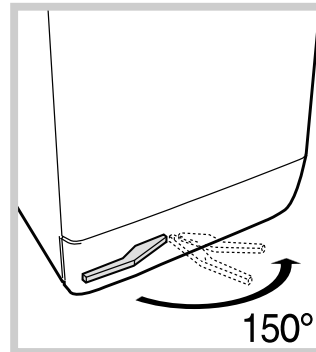


1. Install the washing machine on a flat sturdy floor, without resting it up against walls, furniture cabinets or other.
2. If the floor is not perfectly level, compensate for any unevenness by tightening or loosening

the adjustable front feet (see figure); the angle of inclination, measured according to the worktop, must not exceed 2°.

Levelling your appliance correctly will provide it with stability and avoid any vibrations, noise and shifting during operation. If it is placed on a fitted or loose carpet, adjust the feet in such a way as to allow enough room for ventilation beneath the washing machine.

Putting your appliance in place and moving it.

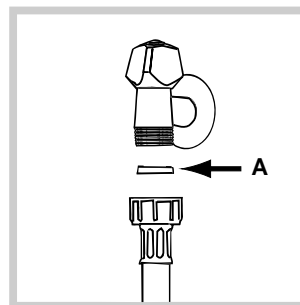


If your washing machine is equipped with a special set of retractable wheels you can easily move it. To lower the wheels and thus move the appliance effortlessly, just pull the lever, situated on the left-hand side beneath the base. Once the

appliance is in the required position, put the lever back in place. The washing machine is now firmly in place (see figure).

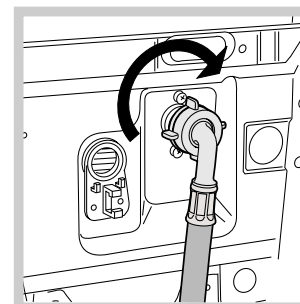
Electric and water connections

Connecting the water inlet hose



1. Insert seal A into the end of the inlet hose and screw the latter onto a cold water tap with a 3/4 gas threaded mouth (see figure).

Before making the connection, allow the water to run freely until it is perfectly clear.



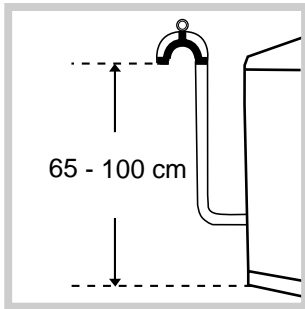
2. Connect the other end of the water inlet hose to the washing machine, screwing it onto the appliance's cold water inlet, situated on the top right-hand side on the rear of the appliance (see figure).

3. Make sure there are no kinks or bends in the hose.

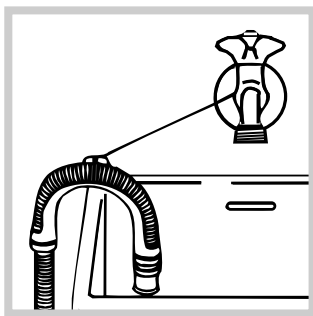
! The water pressure at the tap must be within the values indicated in the Technical details table (on the next page).

! If the water inlet hose is not long enough, contact a specialist store or an authorised serviceman.

Connecting the drain hose



Connect the drain hose, without bending it, to a drainage duct or a wall drain located at a height between 65 and 100 cm from the floor;



alternatively, rest it on the side of a washbasin or bathtub, fastening the duct supplied to the tap (see figure). The free end of the hose should not be underwater.

! We advise against the use of hose extensions; if it is absolutely necessary, the extension must have the same diameter as the original hose and must not exceed 150 cm in length.

Electrical connections

Before plugging the appliance into the electricity socket, make sure that:

- the socket is earthed and complies with all applicable laws;
- the socket is able to withstand the maximum power load of the appliance as indicated in the Technical data table (see opposite);
- the power supply voltage falls within the values indicated in the Technical data table (see opposite);
- the socket is compatible with the plug of the washing machine. If this is not the case, replace the socket or the plug.

! The washing machine must not be installed outdoors, even in covered areas. It is extremely dangerous to leave the appliance exposed to rain, storms and other weather conditions.

! When the washing machine has been installed, the electricity socket must be within easy reach.

! Do not use extension cords or multiple sockets.

! The cable should not be bent or compressed.

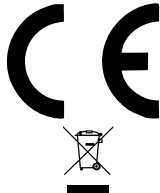
! The power supply cable must only be replaced by authorised technicians.

Warning! The company shall not be held responsible in the event that these regulations are not respected.

The first wash cycle

Once the appliance has been installed, and before you use it for the first time, run a wash cycle with detergent and no laundry, using the wash cycle 2.

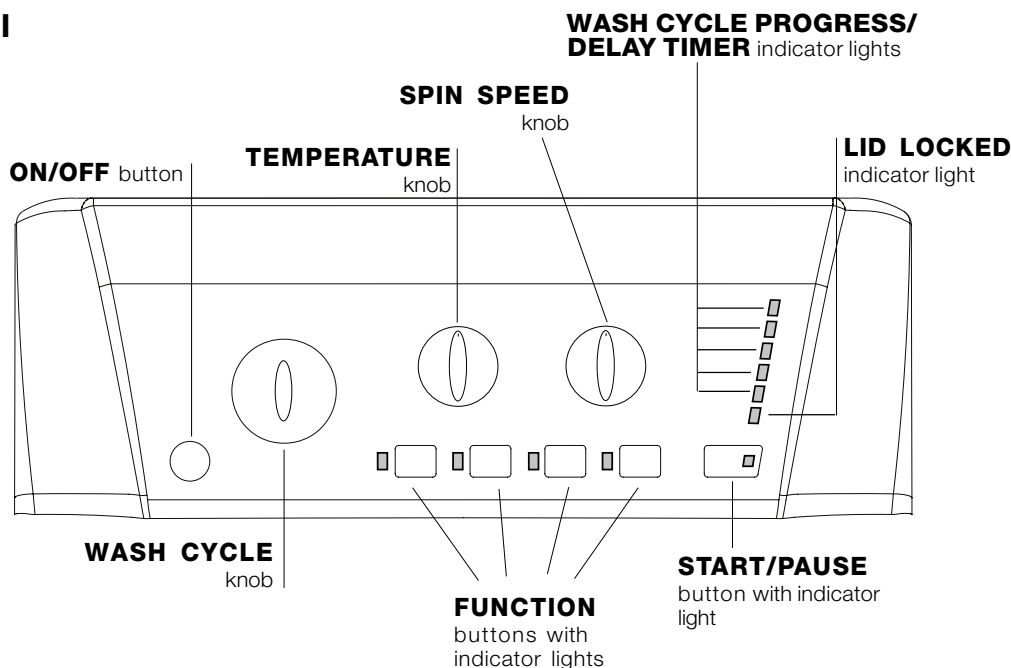
Technical data

Model	ARTXL 129
Dimensions	width 40 cm height 85 cm depth 60 cm
Capacity	from 1 to 6 kg
Electrical connections	please refer to the technical data plate fixed to the machine
Water connections	maximum pressure 1 MPa (10 bar) minimum pressure 0.05 MPa (0.5 bar) drum capacity 42 litres
Spin speed	up to 1200 rotations per minute
Energy rated programmes according to regulation EN 60456	programme 7; temperature 60°C; using a load of 6 kg.
	This appliance conforms to the following EC Directives: - 89/336/EEC dated 03/05/89 (Electromagnetic Compatibility) and subsequent modifications - 2002/96/EC - 2006/95/EC (Low Voltage)

Description of the washing machine and starting a wash cycle

GB

Control panel



ON/OFF button: switches the washing machine on and off.

WASH CYCLE knob: programmes the wash cycles. During the wash cycle, the knob does not move.

FUNCTION buttons with indicator light: used to select the available functions. The indicator light corresponding to the selected function will remain lit.


TEMPERATURE knob: sets the temperature or the cold wash cycle (see "Personalisation").

SPIN SPEED knob: sets the spin speed or exclude the spin cycle completely (see "Personalisation").

WASH CYCLE PROGRESS/DELAY TIMER indicator lights: used to monitor the progress of the wash cycle. The illuminated indicator light shows which phase is in progress. If the Delay Timer function has been set, the time remaining until the wash cycle starts will be indicated (see next page).

LID LOCKED indicator light: indicates whether the door may be opened or not (see next page).

START/PAUSE button with indicator light: starts or temporarily interrupts the wash cycles.

N.B. To pause the wash cycle in progress, press this button; the corresponding indicator light will flash orange, while the indicator light for the current wash cycle phase will remain lit in a fixed manner. If the LID LOCKED  indicator light is switched off, the door may be opened.

To start the wash cycle from the point at which it was interrupted, press this button again.

Indicator lights

The indicator lights provide important information. This is what they can tell you:

Delayed start

If the DELAY TIMER function has been activated (see "Personalisation"), after the wash cycle has been started the indicator light corresponding to the selected delay period will begin to flash:












As time passes, the remaining delay will be displayed and the corresponding indicator light will flash:



Once the set delay has elapsed, the flashing indicator light will switch off and the selected wash cycle will begin.

Wash cycle phase indicator lights

Once the desired wash cycle has been selected and has begun, the indicator lights switch on one by one to indicate which phase of the cycle is currently in progress.

Wash		
Rinse		
Spin		
Drain		
End of wash cycle	END	

Function buttons and corresponding indicator lights

When a function is selected, the corresponding indicator light will illuminate.

If the selected function is not compatible with the programmed wash cycle, the corresponding indicator light will flash and the function will not be activated.

If a function which is incompatible with another function selected previously, only the most recent selection will remain active.

Lid locked indicator light

If this indicator light is on, the appliance door is locked to prevent it from being opened accidentally; to avoid any damage, wait for the indicator light to switch off (it will take about three minutes) before you open the appliance door.

N.B. If the DELAY TIMER function is activated, the door cannot be opened; pause the machine by pressing the START/PAUSE button if you wish to open it.

! If the START/PAUSE indicator light (orange) flashes rapidly at the same time as the function indicator light, this indicates a problem has occurred (see "Troubleshooting").

How to open and to close the drum

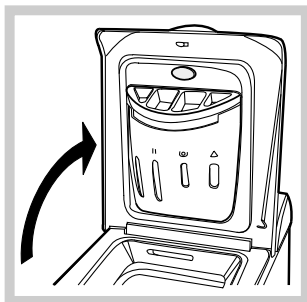


Fig. 1

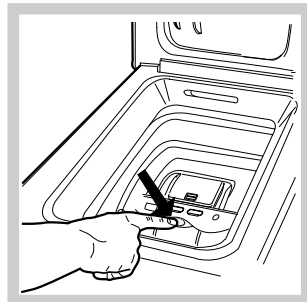


Fig. 2

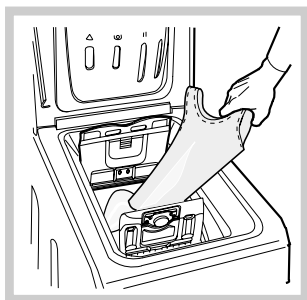


Fig. 3

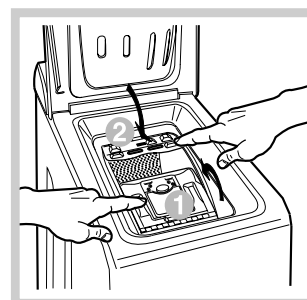


Fig. 4

A) Opening (Fig. 1):

Lift the external lid and open it completely.

B) Opening the drum (Soft opening):

With one finger, push the button indicated in *fig. 2* and the drum will open delicately.

C) Loading the washing machine (Fig. 3).

D) Shutting (Fig. 4):

- close the drum fully by first shutting the front door followed by the rear one;
- then ensure the hooks on the front door are perfectly housed within the seat of the rear door;
- after the hooks have clicked into position, press both doors lightly downwards to make sure they do not come loose;
- finally shut the external lid.

Starting a wash cycle


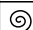
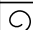

1. Switch the washing machine on by pressing the ON/OFF button. All indicator lights will switch on for a few seconds, then they will switch off and the START/PAUSE indicator light will pulse.
2. Load the laundry, close the door and the lid.
3. Set the WASH CYCLE knob to the desired programme.
4. Set the washing temperature (see "Personalisation").
5. Set the spin speed (see "Personalisation").
6. Measure out the detergent and washing additives (see "Detergents and laundry").
7. Select the desired functions.
8. Start the wash cycle by pressing the START/PAUSE button and the corresponding indicator light will remain lit in a fixed manner, in green. To cancel the set wash cycle, pause the machine by pressing the START/PAUSE button and select a new cycle.
9. At the end of the wash cycle the END indicator light will switch on. The LID LOCKED indicator light will switch off, indicating that the door may be opened. Take out your laundry and leave the appliance door ajar to make sure the drum dries completely.

Switch the washing machine off by pressing the ON/OFF button.

Wash cycles

GB

Table of wash cycles

Wash cycles	Description of the wash cycle	Max. temp. (°C)	Max. speed (rpm)	Detergents			Max. load (kg)	Cycle duration
				Bleach	Wash	Fabric softener		
Special cycles								
7	Sanitizing cycle 90°: Extremely soiled whites.	90°	1200	●	●	●	6	165
7	Sanitizing cycle 90° (1): Heavily soiled whites and resistant colours.	60°	1200	-	●	●	6	141
8	Goodnigt cycle: Lightly soiled delicate colours.	40°	800	-	●	●	4	288
9	Baby cycle: Heavily soiled delicate colours.	40°	800	-	●	●	2	116
10	Shirts	40°	600	-	●	●	2	69
11	Silk/Curtains: For garments in silk and viscose, lingerie.	30°	0	-	●	●	1	55
12	Wool: For wool, cashmere, etc.	40°	600	-	●	●	1	55
Everyday wash cycles (Daily)								
1	Cotton + Prewash 90°: Extremely soiled whites.	90°	1200	-	●	●	6	164
2	Cotton: Heavily soiled whites and resistant colours.	60°	1200	●	●	●	6	138
2	Cotton (2): Heavily soiled whites and delicate colours.	40°	1200	●	●	●	6	123
3	Coloured Cottons (3): Lightly soiled whites and delicate colours.	40°	1200	●	●	●	6	89
4	Synthetics resistent: Heavily soiled resistant colours.	60°	800	-	●	●	2,5	85
4	Synthetics delicates: Lightly soiled resistant colours.	40°	800	-	●	●	2,5	73
5	Mix 30': To refresh lightly soiled garments quickly (not suitable for wool, silk and clothes which require washing by hand).	30°	800	-	●	●	3	30
6	Mix 15': To refresh lightly soiled garments quickly (not suitable for wool, silk and clothes which require washing by hand).	30°	800	-	●	●	1,5	15
Partials wash cycles								
	Rinse	-	1200	●	-	●	6	36
	Spin	-	1200	-	-	-	6	16
	Light spin	-	800	-	-	-	2,5	12
	Drain no spin	-	0	-	-	-	6	2

The information contained in the table is intended as a guide only.

For all Test Institutes:

- 1) Test wash cycle in compliance with regulation EN 60456: set wash cycle 7 with a temperature of 60°C.
- 2) Long wash cycle for cottons: set wash cycle 2 with a temperature of 40°C.
- 3) Short wash cycle for cottons: set wash cycle 3 with a temperature of 40°C.

Specials wash cycles

Sanitizing cycle (wash cycle 7). A high-temperature hygienic wash cycle (over 60°C) which requires the use of bleach. Pour the bleach, the detergent and the additives into the relevant compartments (see paragraph entitled "Detergent dispenser drawer").

Goodnigt cycle (wash cycle 8). This is a silent cycle which can be run at night, when the electricity prices are lower. The wash cycle is designed for cottons and synthetics. At the end of the cycle the machine stops while there is still water in the drum; to spin and drain the laundry press the START/PAUSE button; alternatively the machine will perform the spin cycle and drain the water automatically after 8 hours.

Baby cycle (wash cycle 9). This wash cycle can be used to remove the soiling typically caused by babies, while ensuring that all detergent is removed from nappies in order to prevent the delicate skin of babies from suffering allergies. The cycle has been designed to reduce the amount of bacteria by using a greater quantity of water and optimising the effect of special disinfecting additives added to the detergent.

Mix 30' (wash cycle 5) this wash cycle was designed to wash lightly soiled garments quickly: it lasts just 30 minutes and therefore saves both energy and time. By selecting this wash cycle (5 at 30°C), it is possible to wash different fabrics together (except for wool and silk items), with a maximum load of 3 kg.

Mix 15' (wash cycle 6) this wash cycle was designed to wash lightly soiled garments quickly: it lasts just 15 minutes and therefore saves both energy and time. By selecting this wash cycle (6 at 30°C), it is possible to wash different fabrics together (except for wool and silk items), with a maximum load of 1.5 kg.

Setting the temperature

Turn the TEMPERATURE knob to set the wash temperature (see *Table of wash cycles*).

The temperature may be lowered, or even set to a cold wash (❄).

The washing machine will automatically prevent you from selecting a temperature which is higher than the maximum value set for each wash cycle.

Setting the spin speed

Turn the SPIN SPEED knob to set the spin speed for the selected wash cycle.

The maximum spin speeds available for each wash cycle are as follows:

Wash cycles	Maximum spin speed
Cottons	1200 rpm
Synthetics	800 rpm
Wool	600 rpm
Silk	drain only

The spin speed may be lowered, or the spin cycle can be excluded altogether by selecting the symbol (⊘).

The washing machine will automatically prevent you from selecting a spin speed which is higher than the maximum speed set for each wash cycle.

Functions

The various wash functions available with this washing machine will help to achieve the desired results, every time.



To activate the functions:

1. Press the button corresponding to the desired function;
2. the function is enabled when the corresponding indicator light is illuminated.

Note: If the indicator light flashes rapidly, this signals that this particular function may not be selected in conjunction with the selected wash cycle.

Super Wash

Because a greater quantity of water is used in the initial phase of the cycle, and because of the increased cycle duration, this function offers a high-performance wash.

! This function may not be used in conjunction with wash cycles 5, 6, 7, 11, 12, , , , .

Extra rinse

By selecting this function, the efficiency of the rinse is increased and optimal detergent removal is guaranteed. It is particularly useful for sensitive skin.

! This function may not be used in conjunction with wash cycles 5, 6, , , .

Easy iron

By selecting this function, the wash and spin cycles will be modified in order to reduce the formation of creases. At the end of the cycle the washing machine will perform slow rotations of the drum.

For the 4, 8, 11 wash cycle, the machine will end the cycle while the laundry is soaking, the EASY IRON and START/PAUSE indicator lights will flash (orange) and the RINSE phase will remain lit in a fixed manner. To drain the water so that the laundry may be removed, press the START/PAUSE button or the EASY IRON button.

! This function may not be used in conjunction with wash cycles 5, 6, 7, 8, 9, 12, , , .

Delay timer

This timer delays the start time of the wash cycle by up to 12 hours.

Press the button repeatedly until the indicator light corresponding to the desired delay time switches on. The fifth time the button is pressed, the function will be disabled.

N.B. Once you have pressed the START/PAUSE button, the delay time may only be decreased if you wish to modify it.

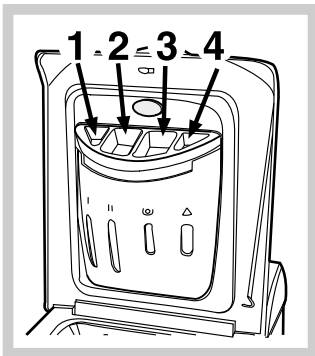
! This option is enabled with all programmes.

Detergents and laundry

GB

Detergent dispenser drawer

Good washing results also depend on the correct dose of detergent: adding too much detergent won't necessarily make for a more efficient wash, and may in fact cause build up on the interior of your appliance and even pollute the environment.



Open up the detergent dispenser and pour in the detergent and fabric softener, as follows.

compartment 1: Detergent for pre-wash

compartment 2: Detergent for the wash cycle (powder or liquid)


It is recommended that you place liquid detergent directly into the compartment using the appropriate dosing cup.

compartment 3: Additives (softener, etc.)

When pouring the softener in compartment 3, avoid exceeding the "max" level indicated. The softener is added automatically into the machine during the last wash. At the end of the wash programme, some water will be left in compartment 3. This is used for the inlet of denser fabric softeners into the machine, i.e. to dilute the more concentrated softeners. Should more than a normal amount of water remain in compartment 3, this means the emptying device is blocked. For cleaning instructions, see "Care and maintenance".

compartment 4: Bleach

Bleach cycle

Bleaching may only be performed in conjunction with wash cycles 2, 3, 7, .

Pour the bleach into compartment 4; pour the detergent and softener into the corresponding compartments, then select one of the abovementioned wash cycles.

This option is recommended only for very soiled cotton garments.

Preparing the laundry

- Divide the laundry according to:
 - the type of fabric/the symbol on the label
 - the colours: separate coloured garments from whites.
- Empty all garment pockets and check the buttons.
- Do not exceed the listed values, which refer to the weight of the laundry when dry:
 - Durable fabrics: max. 6 kg
 - Synthetic fabrics: max. 2,5 kg
 - Delicate fabrics: max. 2 kg
 - Wool: max. 1 kg

How much does your laundry weigh?

- 1 sheet 400-500 g
- 1 pillow case 150-200 g
- 1 tablecloth 400-500 g
- 1 bathrobe 900-1200 g
- 1 towel 150-250 g


Garments requiring special care

Shirts: use special wash cycle 10 to wash shirts in various fabrics and colours.

It guarantees maximum care is taken of the garments and minimises the formation of creases.

Silk: use special wash cycle 11 to wash all silk garments. We recommend the use of special detergent which has been designed to wash delicate clothes.

Curtains: fold curtains and place them in a pillow case or mesh bag. Use wash cycle 11.

Wool: Hotpoint/Ariston is the only washing machine manufacturer to have been awarded the prestigious Woolmark Platinum Care endorsement (M.0508) by the Woolmark Company, which means that all woollen garments may be washed in the washing machine, even those which state "hand wash only"  on the label. Wash cycle 12 therefore offers complete peace of mind when washing woollen garments in the washing machine (max. load 1 kg) and guarantees optimal performance.

Load balancing system

Before every spin cycle, to avoid excessive vibrations and to distribute the load in a uniform manner, the drum rotates continuously at a speed which is slightly greater than the washing rotation speed. If, after several attempts, the load is not balanced correctly, the machine spins at a reduced spin speed. If the load is excessively unbalanced, the washing machine performs the distribution process instead of spinning. To encourage improved load distribution and balance, we recommend small and large garments are mixed in the load.

! This washing machine was designed and constructed in accordance with international safety regulations. The following information is provided for safety reasons and must therefore be read carefully.

General safety

- This appliance was designed for domestic use only.
- The washing machine must only be used by adults, in accordance with the instructions provided in this manual.
- Do not touch the machine when barefoot or with wet or damp hands or feet.
- Do not pull on the power supply cable when unplugging the appliance from the electricity socket. Hold the plug and pull.
- Do not touch the drained water as it may reach extremely high temperatures.
- Never force the porthole door. This could damage the safety lock mechanism designed to prevent accidental opening.
- If the appliance breaks down, do not under any circumstances access the internal mechanisms in an attempt to repair it yourself.
- Always keep children well away from the appliance while it is operating.
- If the appliance has to be moved, work in a group of two or three people and handle it with the utmost care. Never try to do this alone, because the appliance is very heavy.
- Before loading laundry into the washing machine, make sure the drum is empty.

Disposal

- Disposing of the packaging materials: observe local regulations so that the packaging may be re-used.
- The European Directive 2002/96/EC on Waste Electrical and Electronic Equipment, requires that old household electrical appliances must not be disposed of in the normal unsorted municipal waste stream. Old appliances must be collected separately in order to optimise the recovery and recycling of the materials they contain and reduce the impact on human health and the environment. The crossed out "wheeled bin" symbol on the product reminds you of your obligation, that when you dispose of the appliance it must be separately collected.
Consumers should contact their local authority or retailer for information concerning the correct disposal of their old appliance.

Saving energy and respecting the environment

Saving on detergent, water, energy and time

- To avoid wasting resources, the washing machine should be used with a full load. A full load instead of two half loads allows you to save up to 50% on energy.
- The pre-wash cycle is only necessary on extremely soiled garments. Avoiding it will save on detergent, time, water and between 5 and 15% energy.
- Treating stains with a stain remover or leaving them to soak before washing will cut down the need to wash them at high temperatures. A programme at 60°C instead of 90°C or one at 40°C instead of 60°C will save up to 50% on energy.
- Use the correct quantity of detergent depending on the water hardness, how soiled the garments are and the amount of laundry you have, to avoid wastage and to protect the environment: despite being biodegradable, detergents do contain ingredients that alter the natural balance of the environment. In addition, avoid using fabric softener as much as possible.
- If you use your washing machine from late in the afternoon until the early hours of the morning, you will help reduce the electricity board's peak load. The "Delay Timer" option helps to organise your wash cycles accordingly.
- If your laundry has to be dried in a tumble dryer, select a high spin speed. Having the least water possible in your laundry will save you time and energy in the drying process.

Care and maintenance

GB Cutting off the water or electricity supply

- Turn off the water tap after every wash. This will limit the wear of your appliance's water system and also prevent leaks.
- Unplug your appliance when cleaning it and during all maintenance operations.

Cleaning your appliance

The exterior and rubber parts of your appliance can be cleaned with a soft cloth soaked in lukewarm soapy water. Do not use solvents or abrasives.

Caring for your appliance door and drum

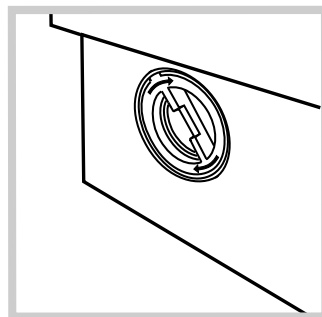
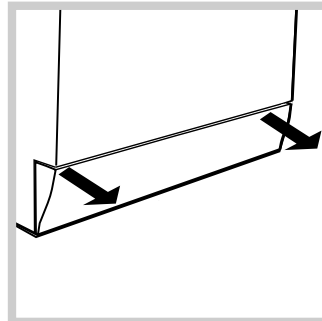
- Always leave the appliance door ajar to prevent unpleasant odours from forming.

Cleaning the pump

The washing machine is fitted with a self-cleaning pump that does not require any maintenance. Sometimes, small items (such as coins or buttons) may fall into the pre-chamber that protects the pump, situated in the lower part of the same.

! Make sure the wash cycle has ended and unplug the appliance.

To recover any objects that have fallen into the pre-chamber:



1. remove the plinth at the bottom on the front side of the washing machine by pulling from the side with your hands (see figure);
2. unscrew the lid rotating it anticlockwise (see figure): a little water may trickle out. This is perfectly normal;
3. clean the interior thoroughly;
4. screw the lid back on;
5. reposition the panel, making sure the hooks are securely in place before you push it onto the appliance.

Checking the water inlet hose

Check the water inlet hose at least once a year. If you see any cracks, replace it immediately: during the wash cycles, water pressure is very strong and a cracked hose could easily split open.

! Never use hoses that have already been used.

How to clean the detergent dispenser

Disassembly:

Press lightly on the large button on the front of the detergent dispenser and pull it upwards (fig. 1, 2).



Fig. 1

Cleaning:

Then clean the dispenser under a tap (fig. 3) using an old toothbrush and, once the pair of siphons inserted in the top of compartments 1 and 2 (fig. 4) have been pulled out, check whether the same are not clogged and then rinse them.

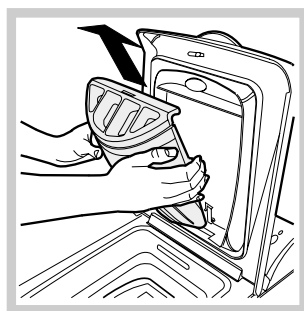


Fig. 2

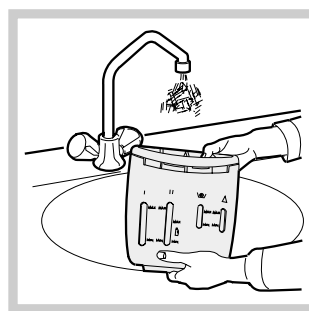


Fig. 3

Reassembly:

Do not forget to reinsert the pair of siphons into the special housings and then to replace the dispenser into its seat, clicking it into place (fig. 4, 2 and 1).

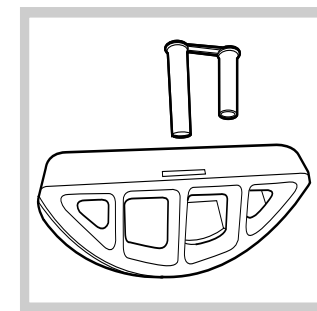


Fig. 4

Your washing machine could fail to work. Before contacting the Technical Assistance Centre (see “Assistance”), make sure that the problem cannot be not solved easily using the following list.

Problem:

Possible causes / Solutions:

The washing machine does not switch on.

- The appliance is not plugged into the socket fully, or is not making contact.
- There is no power in the house.

The wash cycle does not start.

- The appliance Lid is not shut properly.
- The ON/OFF button has not been pressed.
- The START/PAUSE button has not been pressed.
- The water tap has not been opened.
- A delayed start has been set (see “Personalisation”).

The washing machine does not take in water (the indicator light for the first wash cycle stage flashes rapidly).

- The water inlet hose is not connected to the tap.
- The hose is bent.
- The water tap has not been opened.
- There is no water supply in the house.
- The pressure is too low.
- The START/PAUSE button has not been pressed.

The washing machine continuously takes in and drains water.

- The drain hose is not fitted at a height between 65 and 100 cm from the floor (see “Installation”).
- The free end of the hose is under water (see “Installation”).
- The wall drainage system is not fitted with a breather pipe.

If the problem persists even after these checks, turn off the water tap, switch the appliance off and contact the Assistance Service. If the dwelling is on one of the upper floors of a building, there may be problems relating to water drainage, causing the washing machine to fill with water and drain continuously. Special anti-draining valves are available in shops and help to avoid this inconvenience.

The washing machine does not drain or spin.

- The wash cycle does not include draining: some wash cycles require the drain phase to be started manually.
- The EASY IRON function has been activated: To complete the wash cycle, press the START/PAUSE button (“Personalisation”).
- The drain hose is bent (see “Installation”).
- The drainage duct is clogged.

The washing machine vibrates a lot during the spin cycle.

- The drum was not unlocked correctly during installation (see “Installation”).
- The washing machine is not level (see “Installation”).
- The washing machine is trapped between cabinets and walls (see “Installation”).

The washing machine leaks.

- The water inlet hose is not screwed on properly (see “Installation”).
- The detergent dispenser drawer is blocked (for cleaning instructions, see “Care and maintenance”).
- The drain hose is not fixed properly (see “Installation”).

The START/PAUSE indicator light (orange) and the function indicator lights flash rapidly.

- Switch off the machine and unplug it, wait for approximately 1 minute and then switch it back on again.
If the problem persists, contact the Technical Assistance Service.

There is too much foam.

- The detergent is not suitable for machine washing (it should display the text “for washing machines” or “hand and machine wash”, or the like).
- Too much detergent was used.

Service

GB

Before calling for Assistance:

- Check whether you can solve the problem alone (see “*Troubleshooting*”);
- Restart the programme to check whether the problem has been solved;
- If this is not the case, contact an authorised Technical Assistance Centre using the telephone number provided on the guarantee certificate.

! Always request the assistance of authorised technicians.

Have the following information to hand:

- the type of problem;
- the appliance model (Mod.);
- the serial number (S/N).

This information can be found on the data plate situated on the rear of the washing machine.

PL

Polski

ARTXL 129

PL

Spis treści

Instalacja, 13-14

Rozpakowanie i wypoziomowanie
Podłączenia hydrauliczne i elektryczne
Pierwszy cykl prania
Dane techniczne

Opis pralki i uruchamianie programu, 15-16

Panel sterowania
Kontrolki
Jak otwierać i zamykać kosz
Uruchamianie programu

Programy, 17

Tabela programów

Personalizacja, 18

Ustawianie temperatury
Ustawianie wirowania
Funkcje

Środki piorące i bielizna, 19

Szufladka na środki piorące
Cykl wybielania
Przygotowanie bielizny
Tkaniny wymagające szczególnego traktowania
System równoważenia ładunku

Zalecenia i środki ostrożności, 20

Ogólne zasady bezpieczeństwa
Utylizacja
Oszczędność i ochrona środowiska

Utrzymanie i konserwacja, 21

Wyłączenie wody i prądu elektrycznego
Czyszczenie pralki
Czyszczenie drzwiczek i bębna
Czyszczenie pompy
Kontrola rury doprowadzania wody
Jak czyścić szufladkę środków piorących

Nieprawidłowości w działaniu i sposoby ich usuwania, 22

Serwis Techniczny, 23

 **Hotpoint**
ARISTON

Instalacja

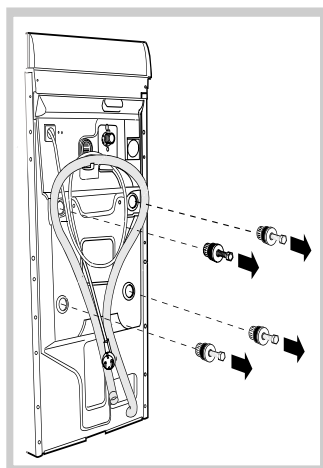
PL

! Należy zachować niniejszą książeczkę instrukcji dla przyszłych konsultacji. W razie sprzedaży, oddania, czy przeniesienia pralki w inne miejsce należy upewnić się, by przekazana została ona razem z instrukcją, aby nowy właściciel zapoznać się mógł z działaniem urządzenia i odpowiednimi informacjami.

! Należy uważnie przeczytać instrukcję obsługi, gdyż zawiera ona ważne informacje dotyczące instalacji oraz właściwego i bezpiecznego użytkowania pralki.

Rozpakowanie i wypoziomowanie

Rozpakowanie



1. Rozpakować pralkę.
2. Sprawdzić, czy nie doznała ona uszkodzeń w czasie transportu. Jeśli byłaby ona uszkodzona, nie podłączać jej i powiadomić sprzedawcę.
3. Odkręcić cztery śruby ochronne, zamocowane na czas transportu, oraz zdjąć gumową podkładkę z odpowiednią rozpórką,

znajdujące się w tylnej ścianie i (zobacz rysunek).

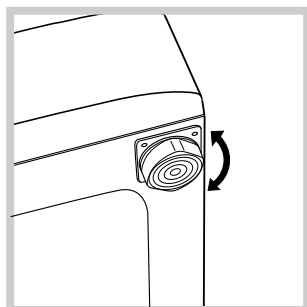
4. Zatkąć otwory przy pomocy załączonych do pralki plastikowych zaślepek.
5. Zachować wszystkie te części: gdyby okazało się konieczne przewiezienie pralki w inne miejsce, powinny one zostać ponownie zamontowane.

Uwaga: w razie ponownego użycia krótsze śrubki powinny być przymocowane u góry.

! Części opakowania nie nadają się do zabawy dla dzieci

Wypoziomowanie

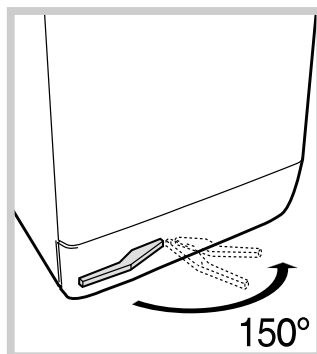
1. Ustawić pralkę na płaskiej i twardej podłodze; nie opierać jej o ściany, meble itp.



2. Jeśli podłoga nie jest dokładnie pozioma, należy wypoziomować pralkę, dokręcając lub odkręcając przednie nóżki (zobacz rysunek). Kąt nachylenia, zmierzony na górnym blacie pralki, nie powinien przekraczać 2°.

Staranne wypoziomowanie pralki zapewnia jej stabilność i zapobiega wibrowaniu, hałasom i przesuwaniu się urządzenia w czasie pracy. W razie ustawienia na dywanie lub wykładzinie dywanowej należy tak wyregulować nóżki, aby pod pralką pozostawała wolna przestrzeń niezbędna dla wentylacji.

Ustawienie, przeniesienie

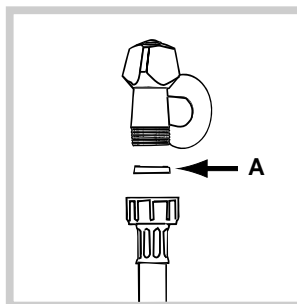


Jeśli twój model pralki wyposażony jest w specjalne wysuwalne kółka, łatwo jest ją przesuwać. Aby wysunąć kółka i móc dzięki temu łatwo przesunąć pralkę, należy pociągnąć dźwignię, znajdującą się na dole z lewej strony pod cokołem. Po przesunięciu pralki

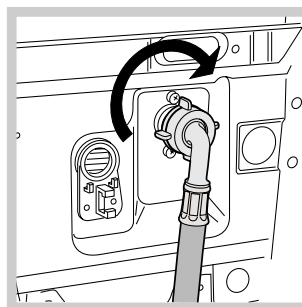
należy z powrotem ustawić dźwignię w pierwotnej pozycji. Urządzenie stoi teraz pewnie na podłodze.

Podłączenie do sieci wodnej i elektrycznej

Podłączenie rury pobierania wody



1. Wsunąć uszczelkę A do końcówki rury pobierania wody i przykręcić ją do kurka zimnej wody o gwintowanym otworze 3/4" (zobacz rysunek). Przed podłączeniem upuścić wodę, aż będzie zupełnie czysta i przezroczysta.



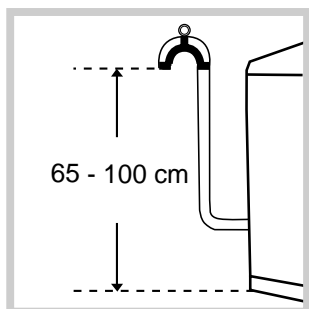
2. Podłączyć rurę pobierania wody do pralki, przykręcając ją do odpowiedniego otworu pobierania wody, znajdującego się w tylnej ścianie pralki, z prawej strony u góry (zobacz rysunek).

3. Zwrócić uwagę, by na rurze nie było zgięć ani ścisnięć.

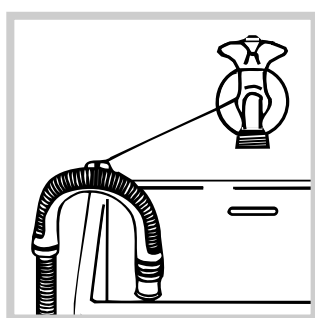
! Ciśnienie hydrauliczne kurka powinno mieścić się w przedziale podanym w tabeli Danych technicznych (zobacz na sąsiedniej stronie).

! Jeśli rura doprowadzająca wody okazałaby się za krótka, należy zwrócić się do wyspecjalizowanego sklepu lub do upoważnionego fachowca.

Podłączenie przewodu odpływowego



Podłączyć przewód odpływowy, nie zginając go, do rury ściekowej lub do otworu odpływowego w ścianie, które powinny znajdować się na wysokości od 65 do 100 cm od podłogi;



ewentualnie oprzeć go na brzegu zlewu lub wanny, przymocowując do kranu prowadnik, znajdujący się w wyposażeniu (*patrz rysunek*). Wolny koniec przewodu odpływowego nie powinien być zanurzony w wodzie.

! Odradza się stosowanie przewodów przedłużających; jeśli to konieczne, przewód przedłużający powinien mieć taką samą średnicę jak oryginalny, a jego długość nie może przekraczać 150 cm.

Podłączenie elektryczne

Przed włożeniem wtyczki do gniazdka elektrycznego należy się upewnić, czy:

- gniazdko posiada uziemienie i jest zgodne z obowiązującymi przepisami;
- gniazdko jest w stanie wytrzymać maksymalne obciążenie mocy maszyny, wskazane w tabeli Danych technicznych (*patrz obok*);
- napięcie zasilania mieści się w wartościach wskazanych w tabeli Danych technicznych (*patrz obok*);
- gniazdko pasuje do wtyczki pralki. W przeciwnym razie należy wymienić gniazdko lub wtyczkę.

! Nie należy instalować pralki na otwartym powietrzu, nawet w osłoniętym miejscu, gdyż wystawienie urządzenia na działanie deszczu i burz jest bardzo niebezpieczne.

! Po zainstalowaniu pralki gniazdko elektryczne powinno być łatwo dostępne.

! Nie używać przedłużaczy ani rozgałęźników.

! Przewód nie powinien być pozginany ani przygnieciony.


! Przewód zasilania elektrycznego może być wymieniany wyłącznie przez autoryzowanych techników.

Uwaga! Producent nie ponosi żadnej odpowiedzialności w przypadku nieprzestrzegania powyższych zasad.

Pierwszy cykl prania

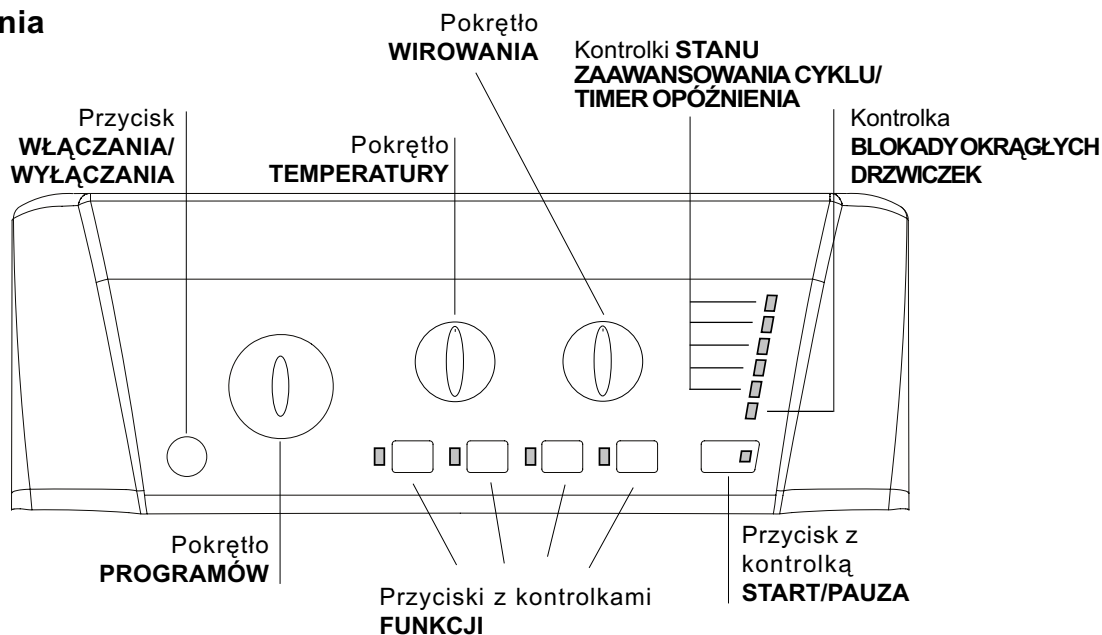
Po zainstalowaniu pralki, przed przystąpieniem do jej użytkowania, należy wykonać jeden cykl prania ze środkiem piorącym, ale bez wsadu, nastawiając program 2.

Dane techniczne

Model	ARTXL 129
Wymiary	szerokość cm 40 wysokość cm 85 głębokość cm 60
Pojemność	od 1 do 6 kg
Dane prądu elektrycznego	dane techniczne umieszczone są na tabliczce na maszynie
Dane sieci wodociągowej	Maksymalne ciśnienie 1 MPa (10 barów) ciśnienie minimalne 0,05 MPa (0,5 barów) pojemność bębna 42 litrów
Szybkość wirowania	do 1200 obrotów na minutę
Programy kontrolne zgodne z przepisami EN 60456	program 7; temperatura 60°C; wykonane przy 6 kg załadowanej białizny.
	Urządzenie to zostało wyprodukowane zgodnie z następującymi przepisami EWG: - 89/336/CEE z dn. 03/05/89 (o Kompatybilności Elektromagnetycznej) wraz z kolejnymi zmianami - 2002/96/CE - 2006/95/CE (o Niskim Napięciu)

Opis pralki i uruchamianie programu

Panel sterowania



Przycisk WŁĄCZANIA/WYŁĄCZANIA: do włączania i wyłączania pralki.

Pokrętko PROGRAMÓW: do ustawiania programów. W czasie trwania programu pokrętko pozostaje nieruchome.

Przyciski z kontrolkami FUNKCJI: do wyboru dostępnych funkcji. Kontrolka wybranej funkcji pozostaje zaświecona.

Pokrętko WIROWANIA: do nastawienia lub wyłączenia wirowania (patrz „Personalizacja”).

Pokrętko TEMPERATURY: do regulacji temperatury prania lub do nastawienia prania w zimnej wodzie (patrz „Personalizacja”).

Kontrolki STANU ZAAWANSOWANIA CYKLU/TIMER OPÓŹNIENIA: umożliwiają kontrolę stanu zaawansowania programu prania. Zapalona kontrolka wskazuje bieżącą fazę. Jeśli nastawiona została funkcja „Timer opóźnienia”, kontrolki wskażą czas pozostający do uruchomienia się programu (patrz strona obok).

Kontrolka BLOKADY OKRĄGLYCH DRZWICZEK: pozwala sprawdzić czy możliwe jest otwarcie okrągłych drzwiczek (patrz strona obok).

Przycisk z kontrolką START/PAUZA: do uruchamiania programów lub ich chwilowego przerywania.

N.B.: aby przerwać wykonywane pranie, należy nacisnąć ten przycisk, jego kontrolka zacznie pulsować na pomarańczowo, natomiast kontrolka bieżącej fazy będzie świecić ciągłym światłem. Jeśli kontrolka BLOKADY OKRĄGLYCH DRZWICZEK jest wyłączona, można otworzyć drzwiczki pralki.

W celu ponownego uruchomienia prania od momentu, w którym zostało ono przerwane, należy ponownie nacisnąć ten przycisk.

Kontrolki

Kontrolki dostarczają ważnych informacji. Oto co sygnalizują:

Timer opóźnienia

Jeśli została włączona funkcja „Timer opóźnienia” (patrz „Personalizacja”), po uruchomieniu programu zacznie pulsować kontrolka wybranego opóźnienia:








Stopniowo wskazywany będzie, poprzez pulsowanie odpowiedniej kontrolki, czas pozostający do rozpoczęcia cyklu prania.



Po upływie wybranego czasu opóźnienia pulsująca kontrolka zgaśnie i rozpocznie się zaprogramowany cykl prania.

Kontrolki bieżącej fazy prania:

Po wybraniu i uruchomieniu żądanego cyklu prania kontrolki będą się kolejno zapalać, wskazując stan zaawansowania programu:

Pranie	
Płukanie	
Wirowanie	
Wydalenie wody	
Koniec prania	END 

Przyciski funkcyjne i ich kontrolki

Po dokonaniu wyboru funkcji jej kontrolka zaświeci się. W przypadku wyboru funkcji niezgodnej z ustawionym programem jej kontrolka zacznie pulsować i funkcja nie włączy się. Jeśli ustawiona funkcja będzie sprzeczna z inną, wybraną wcześniej, uwzględniony zostanie tylko ostatni dokonany wybór.

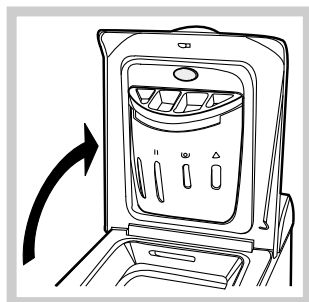
⚠ Kontrolka blokady okrągłych drzwiczek

Zapalona kontrolka wskazuje, że okrągłe drzwiczki pralki są zablokowane, aby zapobiec ich przypadkowemu otwarciu. Przed przystąpieniem do otwierania drzwiczek należy poczekać, aż kontrolka zgaśnie, w przeciwnym razie można spowodować ich uszkodzenie (około 3 minut).

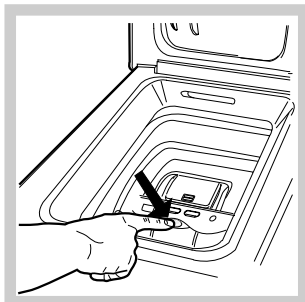
N.B.: jeśli funkcja „Timer opóźnienia” jest włączona, nie można otworzyć okrągłych drzwiczek, w celu ich otwarcia konieczne jest chwilowe zatrzymanie urządzenia poprzez naciśnięcie przycisku START/PAUZA.

! Szybkie pulsowanie (pomarańczowej) kontrolki START/PAUZA równocześnie z kontrolką funkcji sygnalizuje wystąpienie nieprawidłowości w działaniu pralki (patrz „Nieprawidłowości w działaniu i sposoby ich usuwania”).

Jak otwierać i zamykać kosz



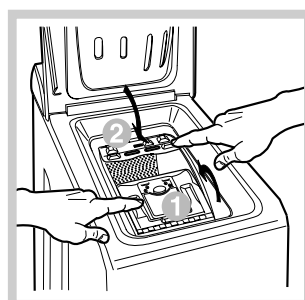
Rys. 1



Rys. 2



Rys. 3



Rys. 4

A) OTWIERANIE. (Rys. 1): Podnieść zewnętrzną pokrywę i całkowicie ją otworzyć.

B) OTWIERANIE KOSZA (Soft opening):

Nacisnąć palcem przycisk wskazany na rys. 2 i koszyk delikatnie się otworzy.

C) WKŁADANIE BIELIZNY (Rys. 3).

D) ZAMKNIĘCIE (Rys. 4):

- dobrze zamknąć drzwiczki, opuszczając najpierw drzwiczki przednie i opierając na nich drzwiczki tylne;
- upewnić się, czy zaczepy przednich drzwiczek dobrze weszły na swoje miejsce w tylnych drzwiczkach;
- po usłyszeniu charakterystycznego „clac”, co świadczy o zaskoczeniu zaczepów, lekko docisnąć oboje drzwiczek, które nie powinny się rozczepić.;
- na zakończenie zamknąć klapę zewnętrzną.

Uruchamianie programu

1. Włączyć pralkę, naciskając przycisk WŁĄCZANIE / WYŁĄCZANIE. Wszystkie kontrolki zapalą się na kilka sekund, następnie wyłącza się i zacznie pulsować kontrolka START/PAUZA.

2. Załadować bieliznę do pralki, zamknąć drzwiczki i pokrywę.

3. Ustawić żądany program przy pomocy pokrętki PROGRAMÓW.

4. Ustawić temperaturę prania (patrz „Personalizacja”).

5. Ustawić szybkość wirowania (patrz „Personalizacja”).

6. Wsypać środek piorący i dodatki (patrz „Środki piorące i bielizna”).

7. Wybrać żądane funkcje.

8. Uruchomić program naciskając przycisk START/PAUZA, kontrolka programu będzie świecić ciągłym światłem w kolorze zielonym. Aby anulować ustawiony cykl, należy chwilowo zatrzymać urządzenie, naciskając przycisk START/PAUZA, i wybrać nowy cykl.

9. Po zakończeniu programu zapali się kontrolka END.




Kontrolka BLOKADY DRZWICZEK zgaśnie, wskazując, że otwarcie drzwiczek jest możliwe.

Wyjąć bieliznę i pozostawić drzwiczki pralki uchylone, aby bęben mógł wyschnąć.

Wyłączyć pralkę, naciskając przycisk WŁĄCZANIE / WYŁĄCZANIE.

Programy

Tabela programów

Programy	Opis programu	Temp. max (°C)	Prędkość max (obrotów na minutę)	Środki piorące			Ładunek max (kg)	Czas trwania cyklu
				Wybielacz	Pranie	Środek zmiękczający		
Programy specjalne								
7	CYKL HIGIENICZNY: Tkaniny białe bardzo mocno zabrudzone.	90°	1200	•	•	•	6	165
7	CYKL HIGIENICZNY (1): Tkaniny białe i kolorowe, wytrzymałe, mocno zabrudzone.	60°	1200	-	•	•	6	141
8	PROGRAM SPOKOJNY SEN: Tkaniny kolorowe, delikatne, lekko zabrudzone.	40°	800	-	•	•	4	288
9	BABY: Tkaniny kolorowe, delikatne, mocno zabrudzone.	40°	800	-	•	•	2	116
10	KOSZULE	40°	600	-	•	•	2	69
11	JEDWAB/FIRANY: Do jedwabiu, wiskozy, bielizny.	30°	0	-	•	•	1	55
12	WEŁNA: Do wełny, kaszmiru, itp.	40°	600	-	•	•	1	55
Programy codzienne								
1	PRANIE WSTĘPNE: Bielizna biała silnie zabrudzona.	90°	1200	-	•	•	6	164
2	BAWEŁNA: Tkaniny białe i kolorowe, wytrzymałe, mocno zabrudzone.	60°	1200	•	•	•	6	138
2	BAWEŁNA (2): Tkaniny białe i kolorowe, delikatne, mocno zabrudzone.	40°	1200	•	•	•	6	123
3	BAWEŁNA KOLOROWE (3): Tkaniny białe lekko zabrudzone i delikatne kolorowe.	40°	1200	•	•	•	6	89
4	SYNTECYCZNE: Tkaniny kolorowe, wytrzymałe, mocno zabrudzone.	60°	800	-	•	•	2,5	85
4	SYNTECYCZNE: Tkaniny kolorowe, wytrzymałe, lekko zabrudzone.	40°	800	-	•	•	2,5	73
5	MIX 30': W celu szybkiego odświeżenia lekko zabrudzonych tkanin (nie wskazany dla wełny, jedwabiu i tkanin przeznaczonych do prania ręcznego).	30°	800	-	•	•	3	30
6	MIX 15': W celu szybkiego odświeżenia lekko zabrudzonych tkanin (nie wskazany dla wełny, jedwabiu i tkanin przeznaczonych do prania ręcznego).	30°	800	-	•	•	1,5	15
Programy częściowe								
	Płukanie	-	1200	•	-	•	6	36
	Wirowanie	-	1200	-	-	-	6	16
	Wirowanie delikatne	-	800	-	-	-	2,5	12
	Wydalenie wody	-	0	-	-	-	6	2

Podane w tabeli dane mają charakter orientacyjny.

Dla wszystkich Instytucji homologacyjnych:

- 1) Program kontrolny zgodny z normą EN 60456: ustawić program 7, wybierając temperaturę 60°C.
- 2) Program bawełna, długi: ustawić program 2, wybierając temperaturę 40°C.
- 3) Program bawełna, krótki: ustawić program 3, wybierając temperaturę 40°C.

Programy specjalne

CYKL HIGIENICZNY (program 7). Wysokotemperaturowy program higienizujący, który przewiduje użycie wybielacza w temperaturze powyżej 60°C. Aby wybielić pranie, należy umieścić w odpowiednich przegródkach wybielacz, środek piorący i dodatki (patrz paragraf „Szufładka na środki piorące”).

PROGRAM SPOKOJNY SEN (program 8). Jest to cichy cykl, który może być uruchamiany w nocy, w godzinach niższej taryfy energetycznej. Program ten został opracowany dla tkanin syntetycznych i bawełnianych. Po zakończeniu cyklu pralka zatrzymuje się z wodą w bębnie; aby wykonać wirowanie i odprowadzenie wody, należy nacisnąć przycisk START/PAUZA, w przeciwnym razie po 8 godzinach urządzenie automatycznie odwiruje pranie i odprowadzi wodę.

BABY (program 9). Program ten umożliwia usunięcie z odzieży zabrudzeń typowych dla dzieci, zapewniając przy tym całkowite wypłukanie środka piorącego z tkanin, aby uniknąć reakcji alergicznych, jakie mógłby on wywołać na delikatnej skórze dziecka. Cykl ten został opracowany w celu ograniczenia liczby bakterii poprzez wykorzystanie większej ilości wody i optymalizację działania specjalnych dodatków higienizujących, którymi uzupełniany jest środek piorący.

MIX 30' (program 5) to program przeznaczony do prania lekko zabrudzonej bielizny w krótkim czasie: trwa on tylko 30 minut i pozwala dzięki temu na zaoszczędzenie energii i czasu. Ustawiając program (5 w temperaturze 30°C) można razem wyprać różnego rodzaju tkaniny (z wyjątkiem wełny i jedwabiu), przy maksymalnym ładunku 3 kg.

MIX 15' (program 6) to program przeznaczony do prania lekko zabrudzonej bielizny w krótkim czasie: trwa on tylko 15 minut i pozwala dzięki temu na zaoszczędzenie energii i czasu. Ustawiając program (6 w temperaturze 30°C) można razem wyprać różnego rodzaju tkaniny (z wyjątkiem wełny i jedwabiu), przy maksymalnym ładunku 1,5 kg.

Ustawianie temperatury

Obracając pokrętkiem TEMPERATURA ustawia się temperaturę prania (patrz *Tabela programów*).

Temperaturę można zmniejszać, aż do prania w zimnej wodzie (❄).

Pralka automatycznie uniemożliwi ustawienie temperatury wyższej od maksymalnej temperatury przewidzianej dla danego programu.

Ustawianie wirowania

Obracając pokrętkiem WIROWANIE ustawia się prędkość wirowania dla wybranego programu.

Maksymalne prędkości przewidziane dla poszczególnych programów są następujące:

Programy	Prędkość maksymalna
Bawełna	1200 obrotów na minutę
Tkaniny syntetyczne	800 obrotów na minutę
Wełna	600 obrotów na minutę
Jedwab	tylko odprowadzenie wody

Prędkość wirowania może zostać zmniejszona, można też całkowicie wyłączyć wirowanie, wybierając symbol (⊘).

Pralka automatycznie uniemożliwi wykonanie wirowania z prędkością większą niż maksymalna prędkość wirowania przewidziana dla danego programu.

Funkcje

Różne funkcje, w jakie wyposażona jest pralka, pozwalają na uzyskanie oczekiwanej czystości i bieli prania.

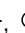
Aby włączyć poszczególne funkcje, należy:

1. nacisnąć przycisk odpowiadający żądanej funkcji;
2. zapalenie się jego kontrolki sygnalizuje, że funkcja jest włączona.

Uwaga: Szybkie pulsowanie kontrolki wskazuje, że danej funkcji nie można ustawić dla wybranego programu.




Super Wash

Dzięki zastosowaniu większej ilości wody w początkowej fazie cyklu i wydłużeniu czasu trwania programu, funkcja ta gwarantuje pranie o wysokiej skuteczności.

! Funkcji tej nie można włączyć w programach 5, 6, 7, 11, 12, , , , .

Płukanie dodatkowe


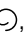

Wybierając tę opcję zwiększa się skuteczność płukania i zapewnia się optymalne usunięcie środka piorącego. Jest to przydatne w przypadku, gdy skóra jest szczególnie wrażliwa na środki piorące.

! Funkcji tej nie można włączyć w programach 5, 6, , , .

Łatwe prasowanie

Po wybraniu tej opcji pranie oraz wirowanie zostaną odpowiednio zmodyfikowane w celu ograniczenia powstawania zagnieść.

W programie 4, 8, 11 po zakończeniu cyklu bielizna pozostanie namoczona, a kontrolka funkcji „ŁATWE PRASOWANIE” oraz kontrolka START/PAUZA będą pulsować (pomarańczowym światłem), natomiast kontrolka PŁUKANIE będzie świecić światłem ciągłym. W celu odprowadzenia wody i umożliwienia wyjęcia prania konieczne jest naciśnięcie przycisku START/PAUZA lub przycisku „ŁATWE PRASOWANIE”.

! Funkcji tej nie można włączyć w programach 5, 6, 7, 8, 9, 12, , , .

Timer opóźnienia

Opóźnia uruchomienie urządzenia aż do 12 godzin.

Należy kilkakrotnie nacisnąć przycisk, aż do zaświecenia się kontrolki odpowiadającej żądanemu opóźnieniu.

Po piątym naciśnięciu przycisku funkcja wyłącza się.

N.B.: Po naciśnięciu przycisku START/PAUZA wartość opóźnienia można zmienić tylko na mniejszą.

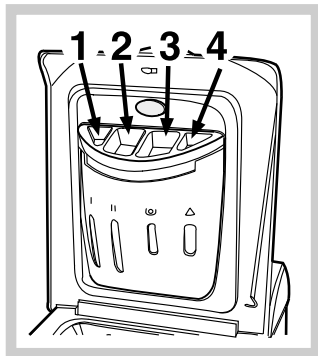
! Jest aktywny ze wszystkimi programami.

Środki piorące i bielizna

PL

Szufladka na środki piorące

Dobre rezultaty prania zależą również od właściwego dozowania środka piorącego: wsypując go za dużo, wcale nie poprawia się wydajności prania, lecz przyczynia się do odkładania się nalotów na wewnętrznych częściach pralki i do zanieczyszczenia środowiska.



Wysunąć szufladkę i wsypać do niej środki piorące i dodatkowe w następujący sposób

przegródka 1: Środek piorący do prania wstępnego (w proszku)

przegródka 2: Środek piorący (w proszku lub w płynie)

Środek piorący w płynie należy włożyć bezpośrednio do bębna z zastosowaniem odpowiedniej kulki dozującej.

przegródka 3: Środki dodatkowe (zmiękczające, itp.)
Kiedy wlewa się środek zmiękczający do przegródki 3, to należy zwrócić uwagę, aby nie przekroczyć oznaczonego poziomu "max".

Środek zmiękczający jest automatycznie dodawany do wody podczas ostatniego płukania. Na zakończenie tego programu prania w przegródce 3 pozostaje reszta wody. Służy ona dla skoncentrowanych środków zmiękczających, to znaczy do ich rozprowadzenia z wodą. Jeśli w przegródce 3 pozostało więcej wody niż zwykle, oznacza to, że urządzenie dozujące jest zatkane. Jak je wyczyścić patrz strona "Utrzymanie i konserwacja".

przegródka 4: Wybielacz

Cykl wybielania

Wybielanie jest możliwe tylko w programach **2, 3, 7**, . Wlać wybielacz do pojemnika **4**, umieścić we właściwych przegródkach środek piorący i środek zmiękczający, po czym ustawić jeden z wyżej wymienionych programów. Zalecany tylko do prania bardzo zabrudzonej bielizny bawełnianej.

Przygotowanie bielizny

- Podzielić bieliznę do prania według:
 - rodzaju tkaniny / symbolu na etykietce.
 - kolorów: oddzielić tkaniny kolorowe od białych.
- Opróżnić kieszenie i sprawdzić guziki.
- Nie przekraczać wskazanego ciężaru suchej bielizny:
 - Tkaniny wytrzymałe: max 6 kg
 - Tkaniny syntetyczne: max 2,5 kg
 - Tkaniny delikatne: max 2 kg
 - Wełna: max 1 kg

Ile waży bielizna?

- 1 prześcieradło 400-500 gr.
- 1 poszewka 150-200 gr.
- 1 obrus 400-500 gr.
- 1 szlafrok 900-1.200 gr.
- 1 ręcznik 150-250 gr.

Tkaniny wymagające szczególnego traktowania

Koszule: stosować specjalny program **10** przeznaczony do prania koszul z różnego rodzaju tkanin i w różnych kolorach.

Program ten pozwala zachować je w doskonałym stanie, zmniejszając do minimum powstawanie zagniecen.

Jedwab: stosować odpowiedni program **11** do prania wszelkiego rodzaju wyrobów z jedwabiu. Zaleca się stosowanie specjalnego środka piorącego do tkanin delikatnych.

Firany: włożyć je złożone do poszewki lub do siatkowatego worka. Stosować program **11**.

Wełna: Hotpoint/Ariston to jedyna pralka, która uzyskała prestiżowe oznaczenie Woolmark Platinum Care (M.0508) od The Woolmark Company, które certyfikuje pranie w pralce wszystkich wyrobów wełnianych, także tych z etykietą „tylko pranie ręczne” . Korzystając z programu **12** można więc w pełni bezpiecznie prać w pralce wszystkie tkaniny wełniane (maks. 1 kg) z gwarancją uzyskania najlepszych rezultatów.

System równoważenia ładunku

Przed każdym wirowaniem, aby uniknąć nadmiernych drgań oraz jednorodnie rozłożyć wsad, bęben wykonuje obroty z prędkością nieco większą niż podczas prania. Jeśli pomimo kolejnych prób wsad nie zostanie równomiernie rozłożony, maszyna wykona wirowanie z prędkością mniejszą od przewidzianej. W przypadku nadmiernego nierównoważenia pralka wykona rozłożenie wsadu zamiast wirowania. Aby zapewnić lepsze rozłożenie wsadu oraz jego właściwe zrównoważenie, zaleca się wymieszanie dużych i małych sztuk bielizny.

! Pralka została zaprojektowana i wyprodukowana zgodnie z międzynarodowymi normami bezpieczeństwa. Niniejsze ostrzeżenia zostały tu zamieszczone ze względów bezpieczeństwa i należy je uważnie przeczytać.

Ogólne zasady bezpieczeństwa

- Urządzenie to zostało zaprojektowane wyłącznie do użytkowania w warunkach domowych.
- Pralki powinny używać wyłącznie osoby dorosłe i w sposób zgodny z instrukcjami podanymi w niniejszej książeczce.
- Nie dotykać pralki, stojąc przy niej boso lub mając mokre lub wilgotne ręce albo stopy.
- Nie wyjmować wtyczki z gniazdka, ciągnąc za kabel, lecz trzymając za wtyczkę.
- Nie dotykać odprowadzanej wody, gdyż może ona osiągać wysokie temperatury.
- W żadnym wypadku nie otwierać okrągłych drzwiczek pralki na siłę: grozi to uszkodzeniem mechanizmu zabezpieczającego drzwiczki przed przypadkowym otwarciem.
- W razie wystąpienia usterki nie należy w żadnym wypadku próbować dostać się do wewnętrznych części pralki z zamiarem samodzielnego dokonania naprawy.
- Zawsze uważać, aby dzieci nie zbliżyły się do pracującej pralki.
- Jeśli trzeba przenieść pralkę w inne miejsce, należy to robić bardzo ostrożnie, w dwie lub trzy osoby. Nigdy nie przenosić pralki samodzielnie, gdyż jest ona bardzo ciężka.
- Przed włożeniem bielizny sprawdzić, czy bęben jest pusty.

Utylizacja

- Utylizacja opakowania: stosować się do lokalnych przepisów, dzięki temu opakowanie będzie mogło zostać ponownie wykorzystane.
- Europejska Dyrektywa 2002/96/EC dotycząca Zużytych Elektrycznych i Elektronicznych Urządzeń zakłada zakaz pozbywania się starych urządzeń domowego użytku jako nieposortowanych śmieci komunalnych. Zużyte urządzenia muszą być osobno zbierane i sortowane w celu zoptymalizowania odzyskania oraz ponownego przetworzenia pewnych komponentów i materiałów. Pozwala to ograniczyć zanieczyszczenie środowiska i pozytywnie wpływa na ludzkie zdrowie. Przekreślony symbol „kosza” umieszczony na produkcie przypomina klientowi o obowiązku specjalnego sortowania. Konsumentom powinni kontaktować się z władzami lokalnymi lub sprzedawcą w celu uzyskania informacji dotyczących postępowania z ich zużytymi urządzeniami gospodarstwa domowego.

Oszczędność i ochrona środowiska

Oszczędność środka piorącego, wody, energii i czasu

- Aby nie trwonić zasobów, należy używać pralki załadowanej do pełna. Jedno załadowane do pełna pranie, zamiast dwóch załadowanych do połowy, pozwala na zaoszczędzenie aż do 50% energii.
- Pranie wstępne konieczne jest tylko w przypadku bielizny bardzo brudnej. Unikanie prania wstępnego pozwala na zaoszczędzenie środka piorącego; czasu, wody oraz od 5 do 15% energii.
- Wywabiając plamy odplamiaczem i pozostawiając bieliznę namoczoną w wodzie przed praniem, można zredukować temperaturę prania. Stosując program 60°C zamiast 90°C lub program 40°C zamiast 60°C, można zaoszczędzić aż do 50% energii.
- Dokładne dozowanie środka piorącego w zależności od twardości wody, stopnia zabrudzenia i ilości bielizny pozwala uniknąć jego trwonienia i wychodzi na korzyść środowisku: środki piorące, mimo że ulegają biodegradacji, zawsze zawierają jednak składniki, które zakłócają środowisko naturalne. Należy również unikać, gdy jest to możliwe, środka zmiękczającego.
- Dokonując prania późnym popołudniem i wieczorem, aż do wczesnych godzin rannych, przyczynia się do zmniejszenia obciążenia energetycznego elektrowni. Opcja “Timer opóźnienia” pomaga przy takim zaprogramowaniu prania w czasie.
- Jeśli bielizna ma być wysuszona w suszarce, należy wybrać wysoką szybkość odwirowania. Dobrze odwirowana z wody bielizna pozwala na zaoszczędzenie czasu i energii przy suszeniu.

Utrzymanie i konserwacja

PL

Wyłączenie wody i prądu elektrycznego

- Zamknąć kurek dopływu wody po każdym praniu. Zmniejsza się w ten sposób zużycie instalacji hydraulicznej pralki oraz niebezpieczeństwo przecieków.
- Wyjąć wtyczkę z kontaktu przed przystąpieniem do czyszczenia pralki oraz czynności konserwacyjnych.

Czyszczenie pralki

Obudowę zewnętrzną i gumowe części pralki należy myć wilgotną ściereczką zmoconą w wodzie z mydłem. Nie stosować rozpuszczalników ani ostrych i ściernych środków czyszczących.

Czyszczenie drzwiczek i bębna

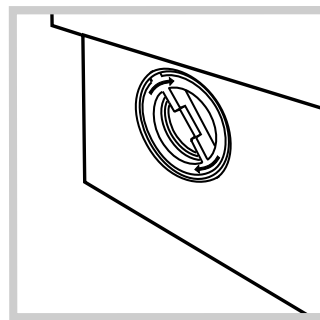
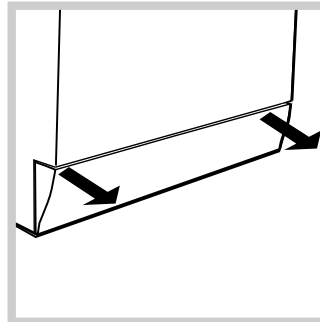
- Należy zawsze pozostawiać uchylone drzwiczki pralki, aby zapobiec tworzeniu się przykrych zapachów.

Czyszczenie pompy

Pralka wyposażona jest w pompę samooczyszczającą, która nie wymaga zabiegów konserwacyjnych. Może się jednak zdarzyć, że małe przedmioty (monety, guziki) wpadną do przedsonka ochronnego pompy, znajdującego się w jej dolnej części.

! Upewnić się, by cykl prania był zakończony i by wtyczka była wyjęta z gniazdka.

Aby odzyskać ewentualne przedmioty, które upadły do wstępnej komory:



1. Odczepić dolny cokół w przedniej części pralki pociągając rękoma jej boczne końce (patrz rysunek);

2. odkręcić przykrywkę, obracając ją w kierunku przeciwnym do ruchu wskazówek zegara (zobacz rysunek): fakt, że wypłynie trochę wody, jest zjawiskiem normalnym;

3. dokładnie wyczyścić wnętrze;

4. ponownie przykręcić przykrywkę;

5. ponownie przymocować panel,

pamiętając o wsunięciu zaczepów w odpowiednie otwory przed dopchnięciem go do urządzenia.

Kontrola rury doprowadzania wody

Przynajmniej raz do roku należy skontrolować rurę doprowadzania wody. Jeśli widoczne są na niej rysy i pęknięcia, należy ją wymienić: w trakcie prania duże ciśnienie może bowiem spowodować jej nagłe zerwanie się.

! Nigdy nie instalować rur używanych.

Jak czyścić szufladkę środków piorących

Wymontowanie:

Lekko przycisnąć duży przycisk w przedniej części szufladki środków piorących i pociągnąć ją do góry (Rys. 1, 2).

Czyszczenie:

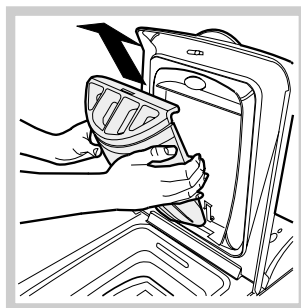
Wymyć szufladkę pod bieżącą wodą (Rys. 3), pomagając sobie starą szczoteczką do zębów i po wyjęciu pary syfonków znajdujących się w górnej części przegródek 1 i 2 (Rys. 4), sprawdzić, czy nie są one zatkane i wypłukać je.

Ponowne zamontowanie:

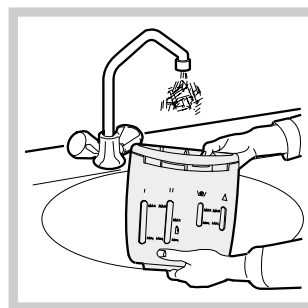
Po włożeniu pary syfonków, wstaw szufladkę na swoje miejsce, zaczepiając ją (Rys. 4, 2, 1).



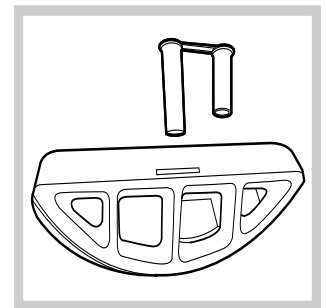
Rys. 1



Rys. 2



Rys. 3



Rys. 4

Nieprawidłowości w działaniu i sposoby ich usuwania

Hotpoint

ARISTON

Może się zdarzyć, że pralka nie działa. Przed wezwaniem Serwisu Technicznego (patrz „Serwis Techniczny”) należy sprawdzić, czy problemu nie da się łatwo rozwiązać przy pomocy poniższego wykazu.

PL

Nieprawidłowości w działaniu: **Możliwe przyczyny / Rozwiązania:**

Pralka nie włącza się.

- Wtyczka nie jest włączona do gniazdka lub jest wsunięta za słabo, tak że nie ma styku.
- W domu nastąpiła przerwa w dostawie prądu.

Cykl prania nie rozpoczyna się.

- Drzwiczki nie są dobrze zamknięte.
- Nie został wciśnięty przycisk WŁĄCZANIA/WYŁĄCZANIA.
- Nie został wciśnięty przycisk START/PAUZA.
- Kurek dopływu wody jest zamknięty.
- Zostało nastawione opóźnienie startu (patrz „Personalizacja”).

Pralka nie pobiera wody (szybko pulsuje kontrolka pierwszej fazy prania).

- Przewód doprowadzający wodę nie jest podłączony do kurka.
- Przewód jest zgięty.
- Kurek dopływu wody jest zamknięty.
- W domu nastąpiła przerwa w dostawie wody.
- Ciśnienie wody nie jest wystarczające.
- Nie został wciśnięty przycisk START/PAUZA.

Pralka cały czas pobiera i odprowadza wodę.

- Przewód odpływowy nie został zainstalowany na wysokości między 65 a 100 cm od podłogi (patrz „Instalacja”).
 - Końcówka przewodu odpływowego jest zanurzona w wodzie (patrz „Instalacja”).
 - Otwór odpływowy w ścianie nie posiada odpowietrznika.
- Jeśli po sprawdzeniu tych możliwości problem nie zostanie rozwiązany, należy zamknąć kurek dopływu wody, wyłączyć pralkę i wezwać Serwis Techniczny. Jeśli mieszkanie znajduje się na najwyższych piętrach budynku, może wystąpić efekt syfonu, w wyniku którego pralka cały czas pobiera i odprowadza wodę. W celu wyeliminowania tej niedogodności należy zakupić specjalny zawór, zapobiegający powstawaniu efektu syfonu.

Pralka nie odprowadza wody i nie odwirowuje prania.

- Program nie przewiduje odprowadzania wody: w przypadku niektórych programów należy uruchomić je ręcznie.
- Włączona jest funkcja ŁATWE PRASOWANIE: aby zakończyć program, należy nacisnąć przycisk START/PAUZA („Personalizacja”).
- Przewód odpływowy jest zgięty (patrz „Instalacja”).
- Instalacja odpływowa jest zatkana.

Pralka mocno wibruje w fazie wirowania.

- Podczas instalacji pralki bęben nie został prawidłowo odblokowany (patrz „Instalacja”).
- Pralka nie jest właściwie wypoziomowana (patrz „Instalacja”).
- Pralka, zainstalowana pomiędzy meblami a ścianą, ma za mało miejsca (patrz „Instalacja”).

Z pralki wycieka woda.

- Przewód doprowadzający wodę nie jest dobrze przykręcony (patrz „Instalacja”).
- Szufladka na środki piorące jest zatkana (w celu jej oczyszczenia patrz „Utrzymanie i konserwacja”).
- Przewód odpływowy nie jest dobrze zamocowany (patrz „Instalacja”).

Kontrolka START/PAUZA (pomarańczowa) oraz kontrolki funkcji szybko pulsują.

- Wyłączyć maszynę i wyjąć wtyczkę z gniazdka, odczekać około 1 minuty, następnie włączyć ją ponownie. Jeśli problem nie ustępuje, należy wezwać Serwis Techniczny.

Tworzy się zbyt duża ilość piany.

- Środek piorący nie jest odpowiedni do pralek automatycznych (na opakowaniu musi być umieszczony napis: „do pralek”, „do prania ręcznego i w pralce” lub podobny).
- Użyto za dużo środka piorącego.

Serwis Techniczny

PL

Przed skontaktowaniem się z Serwisem Technicznym:

- Sprawdzić, czy problemu nie można rozwiązać samodzielnie (patrz „*Nieprawidłowości w działaniu i sposoby ich usuwania*”);
- Ponownie uruchomić program i sprawdzić, czy problem nie zniknął;
- Jeśli nie, zwrócić się do autoryzowanego Serwisu Technicznego, dzwoniąc pod numer podany w karcie gwarancyjnej.

! Nigdy nie wzywać nieautoryzowanych techników.

Należy podać:

- rodzaj nieprawidłowości;
- model maszyny (Mod.);
- numer seryjny (S/N).

Informacje te znajdują się na przymocowanej z tyłu pralki tabliczce znamionowej.

CIS

Русский

ARTXL 129

Содержание

Установка, 26-27

Распаковка и нивелировка
Подключение к водопроводу и электричеству
Первый цикл стирки
Технические характеристики

Описание стиральной машины и порядка запуска программы, 28-29

Панель управления
Индикаторы
Как открыть и закрыть барабан
Порядок запуска программы

Программы, 30

Таблица программ

Персонализированные настройки, 31

Регулировка температуры
Выбор скорости отжима
Дополнительные функции

Моющие средства и типы белья, 32

Распределитель моющих средств
Отбеливание
Подготовка белья
Изделия, требующие деликатной стирки
Система балансировки белья

Предосторожности и рекомендации, 33

Общие требования к безопасности
Утилизация
Экономия энергии и охрана окружающей среды

Техническое обслуживание и уход, 34

Отключение воды и электричества
Уход за стиральной машиной
ход за дверцей машины и барабаном
Чистка насоса
Проверка заливного шланга
Как чистить распределитель моющих средств

Поиск неисправностей и методы их устранения, 35

Сервисное обслуживание, 36

 Hotpoint
ARISTON

CIS

Установка

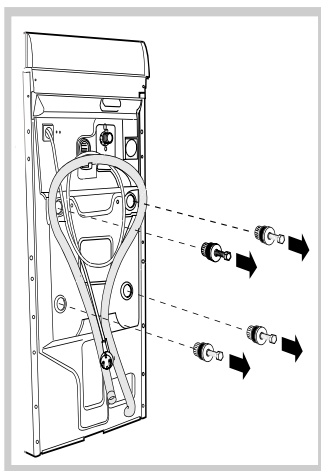
CIS

! Сохраните данное руководство. Оно должно быть в комплекте со стиральной машиной в случае продажи, передачи оборудования или при переезде на новую квартиру, чтобы новый владелец оборудования мог ознакомиться с правилами его функционирования и обслуживания.

! Внимательно прочитайте руководство: в нем содержатся важные сведения по установке и безопасной эксплуатации стиральной машины.

Распаковка и выравнивание

Распаковка



1. Распакуйте стиральную машину.
2. Убедитесь, что оборудование не было повреждено во время транспортировки. При обнаружении повреждений – не подключайте машину – свяжитесь с поставщиком немедленно.
3. Удалите четыре транспортировочных винта и резиновые пробки с прокладками,

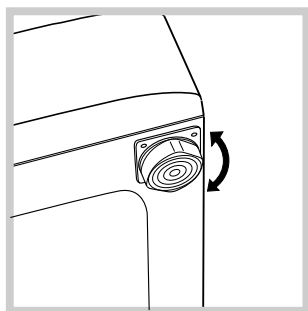
расположенные в задней части стиральной машины (см. рис.).

4. Закройте отверстия прилагающимися пластиковыми заглушками.
5. Сохраняйте все детали: они Вам понадобятся при последующей транспортировке стиральной машины.

болты, резиновые шайбы и большую металлическую поперечную планку. Закройте образовавшиеся отверстия пластмассовыми заглушками.

! Не разрешайте детям играть с упаковочными материалами.

Выравнивание



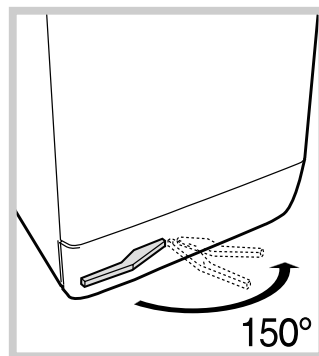
1. Установите стиральную машину на ровном и прочном полу, так чтобы она не касалась стен, мебели и прочих предметов.
2. После установки машины на место отрегулируйте ее устойчивое положение

путем вращения передних ножек (см. рис.). Для этого сначала ослабьте контргайку, после завершения регулировки контргайку затяните. После установки машины на место проверьте по уровню

горизонтальность верхней крышки корпуса, отклонение горизонтали должно быть не более 2°. Правильное выравнивание оборудования поможет избежать шума, вибраций и смещений во время работы машины.

Если стиральная машина стоит на полу, покрытом ковром, убедитесь, что ее основание возвышается над ковром. В противном случае вентиляция будет затруднена или вовсе невозможна.

Установка машины на место и перемещение

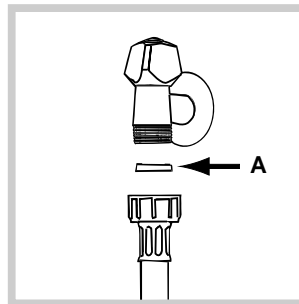


Ваша стиральная машина может быть оснащена специальными убирающимися колесами для облегчения ее перемещения. Чтобы опустить колеса и передвинуть оборудование, просто потяните за рычаг, расположенный слева под основанием машины. После установки

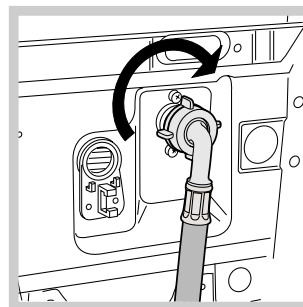
оборудования в требуемое положение верните рычаг в исходное поло.

Подключение к водопроводной и электрической сети

Подсоединение заливного шланга



1. Вставьте прокладку А в конец заливного шланга и наверните его на вывод водопровода холодной воды с резьбовым отверстием 3/4 дюйма (см. рис.). Перед подсоединением откройте водопроводный кран и дайте стечь грязной воде.

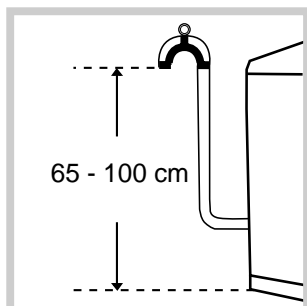


2. Подсоедините заливной шланг к стиральной машине, навинтив его на водоприемник, расположенный в задней верхней части справа (см. рис.).
3. Убедитесь, что шланг не перекручен и не пережат.

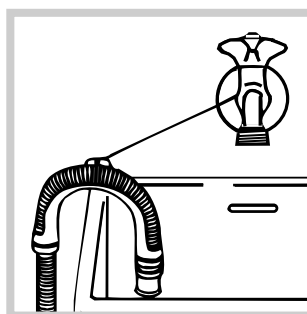
! Давление воды должно быть в пределах значений, указанных в таблице Технических характеристик (см. с. 3).

! Если длина водопроводного шланга окажется недостаточной, обратитесь в Авторизованный Сервисный центр.

Подсоединение сливного шланга



Повесьте загнутый конец сливного шланга на край раковины, ванны, или поместите в специальный вывод канализации. Шланг не должен перегибаться. Верхняя точка сливного шланга должна находиться на высоте 65-100 см от пола. Расположение сливного шланга должно обеспечивать разрыв струи при сливе (конец шланга не должен быть опущен в воду). В случае крепления на край ванной или раковины, шланг вешается с помощью направляющей (входит в комплект поставки), которая крепится к крану (рис.).



! Не рекомендуется применение удлинителей для сливного шланга, при необходимости допускается его наращивание шлангом такого же диаметра и длиной не более 150 см.

Подсоединение к электросети

Внимание! Оборудование обязательно должно быть заземлено!

1. Машина подключается к электрической сети при помощи двухполюсной розетки с заземляющим контактом (розетка не поставляется с машиной). Фазный провод должен быть подключен через автомат защиты сети, рассчитанный на максимальный ток (ток срабатывания) 16 А, и имеющий время срабатывания не более 0,1 с.
2. При наличии вблизи от предполагаемого места установки машины розетки с заземляющим контактом, имеющей трехпроводную подводку кабеля с медными жилами сечением не менее 1,5 кв. мм (или алюминиевыми жилами сечением не менее 2,5 кв. мм), доработка электросети не производится. При отсутствии указанной розетки и проводки следует провести их монтаж.
3. Прокладка заземления отдельным проводом не допускается.
4. Для доработки электрической сети рекомендуется применять провод типа ППВ 3x1,5 380 ГОСТ 6223-79. Допускается применение других марок кабеля, обеспечивающих пожаро- и электробезопасность при эксплуатации машины.

Перед включением машины в сеть убедитесь, что:

- розетка и проводка соответствуют требованиям, изложенным в данном разделе инструкции;
- напряжение и частота тока сети соответствуют данным машины;
- розетка и вилка одного типа;

- розетка заземлена в соответствии с нормами безопасности, описанными в данном разделе инструкции (допускается организация заземления рабочим нулем, при условии, что защитная линия не имеет разрыва и подключена напрямую в обвод каких-либо приборов (например, электрического счетчика).

Если вилка не подходит к розетке, ее следует заменить на новую, соответствующую розетке, или заменить питающий кабель. Замена кабеля должна производиться только квалифицированным персоналом.

Запрещается использование переходников, двойных и более розеток и удлинителей (они создают опасность возгорания). Если Вы считаете их использование необходимым, применяйте один единственный удлинитель, удовлетворяющий требованиям безопасности.



Оборудование, подключенное с нарушением требований безопасности бытовых приборов большой мощности, изложенных в данной инструкции, является потенциально опасным.

Производитель не несет ответственности за ущерб здоровью и собственности, если он вызван несоблюдением указанных норм установки.

Первый цикл стирки

По завершении установки, перед началом эксплуатации необходимо произвести один цикл стирки со стиральным порошком, но без белья, по программе 2.

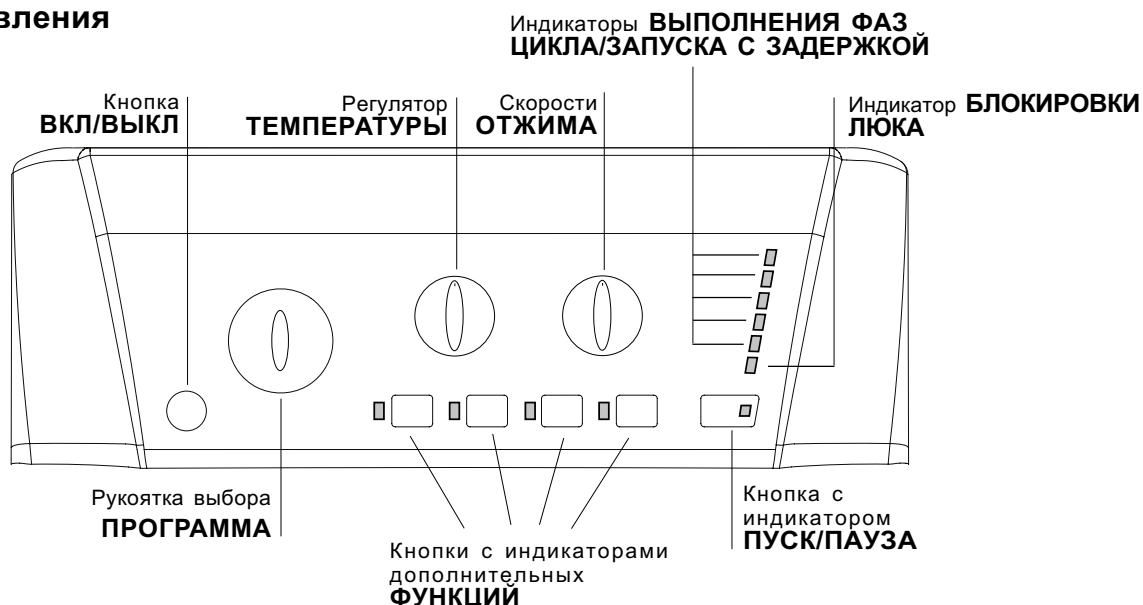
Технические характеристики

Модель	ARTXL 129
Размеры	ширина 40 см высота 85 см глубина 60 см
Загрузка	1 - 6 кг
Электрические параметры	смотрите паспортную табличку с техническими характеристиками на машине
Гидравлические параметры	max давление 1 Мпа (10 бар) min давление 0,05 Мпа (0,5 бар) объем барабана 42 л
Скорость отжима	до 1200 об/мин
Контрольные программы согласно нормативу EN 60456	программа 7; температура 60°C; при загрузке до 6 кг.
 	Машина соответствует следующим Директивам Европейского Экономического сообщества: - 89/336 /ЕЕС от 03.05.89 (электромагнитной совместимости) и последующие модификации - 2002/96/CE - 2006/95/CE (низкого напряжения)

Описание стиральной машины и порядка запуска программы

CIS

Панель управления



Кнопка **ВКЛ/ВЫКЛ**: служит для включения и выключения стиральной машины.

Рукоятка выбора **ПРОГРАММА**: служит для выбора программ. В процессе выполнения программы рукоятка не вращается.

Кнопки с индикаторами дополнительных **ФУНКЦИЙ**: служат для выбора имеющихся дополнительных функций. Индикатор, соответствующий выбранной функции, останется включенным.

Скорости **ОТЖИМА**: служит для выбора скорости отжима или для его исключения (см. «Персонализированные настройки»).

Регулятор **ТЕМПЕРАТУРЫ**: служит для настройки температуры или для стирки в холодной воде (см. «Персонализированные настройки»).

индикаторы **ВЫПОЛНЕНИЯ ФАЗ ЦИКЛА/ ЗАПУСКА С ЗАДЕРЖКОЙ**: показывают последовательность выполнением программы стирки. Включенный индикатор соответствует текущей фазе. Если была включена функция «Таймер отсрочки», индикаторы будут показывать время, остающееся до запуска программы (см. *страницу сбоку*).

Индикатор **БЛОКИРОВКИ ЛЮКА**: показывает, можно ли открыть люк (см. *страницу сбоку*).

Кнопка с индикатором **ПУСК/ПАУЗА**: служит для запуска или для временного прерывания программы.

ПРИМЕЧАНИЕ: для временного прерывания текущего цикла стирки нажмите эту кнопку. Соответствующий индикатор замигает оранжевым цветом, а индикатор текущей фазы

стирки будет гореть, не мигая. Если индикатор **БЛОКИРОВКИ ЛЮКА** погас, можно открыть люк. Для возобновления цикла стирки с момента, когда он был прерван, вновь нажмите **ПУСК/ПАУЗА**.

Индикаторы

Индикаторы сообщают пользователю важные сведения. Значение индикаторов:

Таймер отсрочки

Если была включена функция «Таймер отсрочки» (см. «Персонализированные настройки»), после запуска программы начнет мигать индикатор, соответствующий заданному времени задержки:



По мере отсчета времени будет показываться остающееся время вместе с миганием соответствующего индикатора.



По прошествии заданного времени задержки мигающий индикатор погаснет, и запустится заданная программа.

Индикаторы текущей фазы цикла:

После выбора и запуска цикла стирки индикаторы будут загораться один за другим, показывая последовательность выполнения программы:

Стирка	
Полоскание	
Отжим	
Слив	
Конец цикла	END 

Кнопки дополнительной функции и соответствующие индикаторы

При выборе функции загорается соответствующая кнопка. Если выбранная функция является несовместимой с заданной программой, соответствующий индикатор будет мигать, и такая функция не будет включена.

Если будет выбрана функция, несовместимая с другой, ранее выбранной функцией, останется включенной только последняя выбранная функция.

⚠ Индикатор блокировки люка:

Включенный индикатор означает, что люк заблокирован во избежание его случайного открывания. Во избежание его повреждения необходимо дождаться, когда индикатор погаснет, перед тем как открыть люк (Обычно индикатор гаснет через 3 минуты после окончания стирки).

ПРИМЕЧАНИЕ: если включена функция «Таймер отсрочки», люк открыть нельзя. Для этого необходимо переключить машину в режим паузы при помощи кнопки ПУСК/ПАУЗА.

! Быстрое мигание индикатора ПУСК/ПАУЗА (оранжевый) одновременно с индикатором функций означает неисправность (см. «Неисправности и методы их устранения»).

Как открыть и закрыть барабан

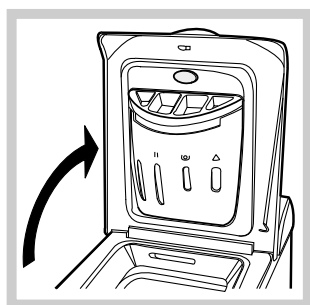


рис. 1

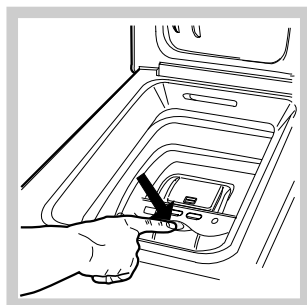


рис. 2



рис. 3

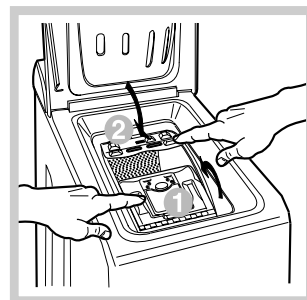


рис. 4

A) ОТКРЫВАНИЕ (рис. 1).

Поднимите внешнюю крышку и полностью ее откройте.

B) Открывание барабана (Soft opening – Плавное открывание):

Нажмите кнопку, показанную на рис. 2, крышка барабана плавно откроется.

C) ЗАГРУЗКА СТИРАЛЬНОЙ МАШИНЫ (рис. 3).

D) ЗАКРЫВАНИЕ (рис. 4).

- закройте полностью барабан, опуская сначала переднюю дверцу, а затем заднюю;
- затем удостоверьтесь, что крюки передней дверцы точно вошли в предназначенные места на задней дверце;
- после того, как крюки защелкнулись, нажмите обе дверцы слегка вниз, чтобы убедиться они закрыты плотно;
- и, наконец, закройте внешнюю крышку.

Порядок запуска программы

1. Включите стиральную машину, нажав кнопку ВКЛ/ВЫКЛ. Все индикаторы загорятся на несколько секунд, затем погаснут, останется мигать индикатор ПУСК/ПАУЗА.
2. Загрузите белье, закройте дверцы и крышку.
3. Задайте рукояткой ПРОГРАММА нужную программу.
4. Задайте температуру стирки (см. «Персонализированные настройки»).
5. Задайте скорость отжима (см. «Персонализированные настройки»).
6. Поместите моющие средства и добавки (см. «Стиральные вещества и типы белья»).
7. Включите нужные дополнительные функции.
8. Запустите программу при помощи кнопки ПУСК/ПАУЗА, соответствующий индикатор загорится зеленым цветом. Для отмены заданного цикла переключите машину в режим паузы при помощи кнопки ПУСК/ПАУЗА и выберите новый цикл.
9. По завершении программы загорится индикатор END. Индикатор БЛОКИРОВКИ ЛЮКА погаснет, показывая, что теперь можно открыть люк. Выньте белье и оставьте люк полуоткрытым для сушки барабана. Выключите стиральную машину, нажав кнопку ВКЛ/ВЫКЛ.

Программы

CIS

Таблица программ

Программы	Описание программы	Макс. темп. (°C)	Макс. скорость (об./мин.)	Стиральные средства			Макс. загрузка (кг)	Продолжительность цикла
				Отбеливатель	Стирка	Ополаскиватель		
Специальные программы								
7	ЦИКЛ АНТИБАКТЕРИЯ: сильнозагрязненное белое белье.	90°	1200	●	●	●	6	165
7	ЦИКЛ АНТИБАКТЕРИЯ (1): сильнозагрязненное белое и прочное цветное белье.	60°	1200	-	●	●	6	141
8	НОЧНОЙ ЦИКЛ: слабозагрязненное деликатное цветное белье.	40°	800	-	●	●	4	288
9	ДЕТСКОЕ БЕЛЬЕ: сильнозагрязненное деликатное цветное белье.	40°	800	-	●	●	2	116
10	РУБАШКИ	40°	600	-	●	●	2	69
11	ШЕЛК/ЗАНАВЕСКИ: для изделий из шелка, вискозы и нижнего белья.	30°	0	-	●	●	1	55
12	ШЕРСТЬ: для шерсти, кашемира и т.д.	40°	600	-	●	●	1	55
Ежедневные программы								
1	ПРЕДВАРИТЕЛЬНАЯ + ХЛОПОК 90°: очень сильно загрязненное белое белье.	90°	1200	-	●	●	6	164
2	ХЛОПОК: сильнозагрязненное белое и прочное цветное белье.	60°	1200	●	●	●	6	138
2	ХЛОПОК (2): сильнозагрязненное белое и деликатное цветное белье.	40°	1200	●	●	●	6	123
3	ХЛОПОК (3): сильнозагрязненное белое и цветное деликатное белье.	40°	1200	●	●	●	6	89
4	СИНТЕТИКА: сильнозагрязненное прочное цветное белье.	60°	800	-	●	●	2,5	85
4	СИНТЕТИКА: слабозагрязненное прочное цветное белье.	40°	800	-	●	●	2,5	73
5	МИКС 30': для быстрого освежения малозагрязненного белья (не для шерсти, шелка и изделия ручной стирки).	30°	800	-	●	●	3	30
6	МИКС 15': для быстрого освежения малозагрязненного белья (не для шерсти, шелка и изделия ручной стирки).	30°	800	-	●	●	1,5	15
Дополнительные программы								
	Полоскание	-	1200	●	-	●	6	36
	Отжим	-	1200	-	-	-	6	16
	Деликатный отжим	-	800	-	-	-	2,5	12
	Слив	-	0	-	-	-	6	2

Приведенные в таблице значения являются примерными.

Для всех институтов тестирования:

- 1) Программы управления в соответствии с Директивой EN 60456: задайте программу 7 с температурой 60°C.
- 2) Длинная программа для х/б белья: задайте программу 2 с температурой 40°C.
- 3) Короткая программа для х/б белья: задайте программу 3 с температурой 40°C.

Специальные программы

ЦИКЛ АНТИБАКТЕРИЯ (программа 7). Дезинфицирующая программа с высокой температурой, предусматривающая использование отбеливателя при температуре выше 60°C. Для отбеливания залейте отбеливатель, моющее средство и добавки в соответствующие ячейки (см параграф «Распределитель моющих средств»).

НОЧНОЙ ЦИКЛ (программа 8). Это бесшумный цикл, который можно включить ночью, экономя электроэнергию. Данная программа рассчитана на стирку синтетических и х/б вещей. По завершении цикла машина останавливается с водой в барабане; для слива и отжима нажмите кнопку ПУСК/ПАУЗА, в противном случае по прошествии 8 часов машина автоматически произведет слив воды и отжим.

ДЕТСКОЕ БЕЛЬЕ (программа 9). Программа удаляет типичные загрязнения детской одежды, гарантируя удаление моющего средства из ткани во избежание аллергии чувствительной детской кожи. Данный цикл рассчитан на сокращение количества бактерий благодаря использованию большего объема воды и оптимизируя воздействие специальных дезинфицирующих добавок старильного вещества.

МИКС 30' (программа 5) предназначена для быстрой стирки слабозагрязненного белья цикл длится всего 30 минут, что позволяет сэкономить время и электроэнергию. По этой программе (5, 30°C) можно стирать вместе белье из разных тканей (за исключением шерсти и шелка) с максимальной загрузкой 3 кг.

МИКС 15' (программа 6) предназначена для быстрой стирки слабозагрязненного белья цикл длится всего 15 минут, что позволяет сэкономить время и электроэнергию. По этой программе (6, 30°C) можно стирать вместе белье из разных тканей (за исключением шерсти и шелка) с максимальной загрузкой 1,5 кг.

Регулировка температуры

Настройка температуры стирки производится при помощи регулятора ТЕМПЕРАТУРЫ (см. *Таблицу программ*). Значение температуры может быть уменьшено вплоть до стирки в холодной воде (☸).

Машина автоматически не допускает выбор температуры, превышающий максимальное значение, предусмотренное для каждой программы.

Выбор скорости отжима

Выбор скорости отжима выбранной программы производится при помощи регулятора скорости ОТЖИМ. Для разных программ предусматривается разная максимальная скорость отжима:

Программы	Максимальная скорость отжима
Хлопок	1200 оборотов в минуту
Синтетические ткани	800 оборотов в минуту
Шерсть	600 оборотов в минуту
Шелк	без отжима

Скорость отжима может быть уменьшена, или же отжим может быть совсем исключен, повернув регулятор в положение ☸.

Машина автоматически не допускает выбор скорости отжима, превышающий максимальную скорость, предусмотренную для каждой программы.

Дополнительные функции

Различные функции стирки машины позволяют достичь желаемой чистоты и белизны вашего белья.

Порядок выбора функций:

1. нажмите кнопку нужной вам функции;
2. включение соответствующего индикатора означает, что функция включена.

Примечание: Частое мигание индикатора означает, что данная функция не может быть выбрана для заданной программы.

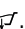


Суперстирка

Обеспечивает оптимальную стирку благодаря использованию большего объема воды в начале цикла и большей продолжительности цикла.

! Эта функция несовместима с программами 5, 6, 7, 11, 12, , , , .

Дополнительное Полоскание

При выборе этой функции повышается эффективность ополаскивания, обеспечивая максимальное удаление моющего вещества. Эта функция особенно удобна для людей с кожей, чувствительной к стиральным веществам.

! Эта функция несовместима с программами 5, 6, , , .

Легкая глажка

При выборе этой функции циклы стирки и отжима изменяются таким образом, чтобы сократить складки на белье. По завершении цикла машина производит медленное вращение барабана.

При выборе программы 4, 8, 11 машина завершает цикл без слива воды, и Индикатор функции ЛЕГКАЯ ГЛАЖКА и индикатор ПУСК/ПАУЗА мигают (оранжевым цветом), индикатор фазы "Полоскание" горит, не мигая. Для слива воды и выгрузки белья необходимо нажать кнопку ПУСК/ПАУЗА или кнопку ЛЕГКАЯ ГЛАЖКА.

! Эта функция несовместима с программами 5, 6, 7, 8, 9, 12, , , .

Таймер отсрочки

Задерживает запуск цикла вплоть до 12 часов.

Нажмите кнопку несколько раз вплоть до включения индикатора, соответствующего нужному значению задержки.

При пятом нажатии кнопки функция отключается.

ПРИМЕЧАНИЕ: После нажатия кнопки ПУСК/ПАУЗА, можно изменить значение задержки только в сторону уменьшения.

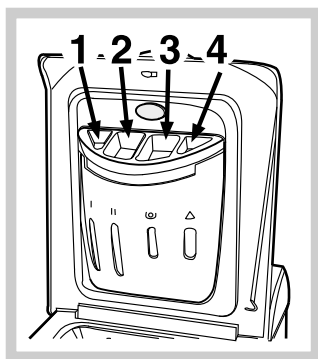
! Эта функция совместима с любой программой.

Моющие средства и типы белья

CIS

Распределитель моющих средств

Хороший результат стирки зависит также от правильной дозировки моющего средства: его избыток не гарантирует более эффективную стирку, напротив может привести к образованию налетов внутри машины и загрязнению окружающей среды.



Выдвиньте распределитель и заполните его отделения моющим средством и смягчителем:

Отделение 1: моющее средство для предварительной стирки (порошок)

ячейка 2: Стиральное вещество (порошок или жидкость)

Жидкое стиральное вещество следует помещать непосредственно в барабан в специальном круглом пластмассовом дозаторе.

ячейка 3: Добавки (ополаскиватель и т.д.)

Когда вы наливаете ополаскиватель в ячейку **3**, обращайте внимание, чтобы не превысить максимальный уровень, указанный отметкой «max». Ополаскиватель автоматически подается в барабан в процессе последнего ополаскивания. По завершении программы стирки в ячейке **3** остается вода. Она необходима для подачи в барабан очень густых ополаскивателей, т.е. для разбавления концентрированных ополаскивателей. Если в ячейке **3** останется воды больше нормального, это значит, что канал слива ополаскивателя в барабан засорился. Смотрите описание чистки ячеек на стр. «Техническое обслуживание и уход».

ячейка 4: Цикл отбеливания

Отбеливание

Отбеливание производится только с программами **2, 3, 7, 12**.

Добавьте отбеливатель в чашу **4**, моющее средство и ополаскиватель в соответствующие отделения, затем выберите одну из вышеуказанных программ. Рекомендуется только для очень грязного х/б белья.

Подготовка белья

- Разделите белье по следующим признакам:
 - тип ткани / обозначения на этикетке.
 - цвет: отделите цветное белье от белого.
- Выньте из карманов все предметы и проверьте пуговицы.
- Не превышайте максимальную загрузку барабана, указанную для сухого белья:
 - Прочные ткани: макс. 6 кг
 - Синтетические ткани: макс. 2,5 кг
 - Деликатные ткани: макс. 2 кг
 - Шерсть: макс. 1 кг

Сколько весит белье?

- 1 простыня 400-500 гр.
- 1 наволочка 150-200 гр.
- 1 скатерть 400-500 гр.
- 1 халат 900-1200 гр.
- 1 полотенце 150-250 гр.


Изделия, требующие деликатной стирки

Рубашки: используйте специальную программу **10** для стирки рубашек из разных тканей и разных цветов.

Это обеспечит максимальную сохранность вещей и сделает их менее мятыми.

Шелк: используйте специальную программу **11** для стирки всех шелковых вещей. Рекомендуется использовать специальное стиральное вещество для деликатных тканей.

Занавески: сверните и положите в наволочку или в сетчатый мешочек. Используйте программу **11**.

Шерсть: Стиральная машина марки Hotpoint/Ariston единственная получила престижный знак Woolmark Platinum Care (M.0508) от Компании The Woolmark Company, который сертифицирует машинную стирку всех шерстяных изделий, даже тех, на этикетках которых указано «только ручная стирка» . При выборе программы **12** вы можете надежно и эффективно стирать любые шерстяные изделия (макс. 1 кг) с гарантированным лучшими результатами.

Система балансировки белья

Перед каждым отжимом во избежание чрезмерных вибраций и для равномерного распределения белья в барабане машина производит вращения со скоростью, слегка превышающей скорость стирки. Если после нескольких попыток белье не будет правильно сбалансировано, машина произведет отжим на меньшей скорости по сравнению с предусмотренной.

! Стиральная машина спроектирована и изготовлена в соответствии с международными нормативами по безопасности. Необходимо внимательно прочитать настоящие предупреждения, составленные в целях вашей безопасности.

Общие требования к безопасности

- Данное изделие предназначено исключительно для домашнего использования.
- Стиральной машиной должны пользоваться только взрослые лица, соблюдающие инструкции, приведенные в данном техническом руководстве.
- Не прикасайтесь к изделию влажными руками, босиком или во влажной одежде.
- Не тяните за сетевой кабель для отсоединения изделия из электро розетки, возьмитесь за вилку рукой.
- Избегайте контактов со сливаемой водой, так как она может быть очень горячей.
- Категорически запрещается открывать люк силой: это может привести к повреждению защитного механизма, предохраняющего от случайного открытия машины.
- В случае неисправности категорически запрещается открывать внутренние механизмы изделия с целью их самостоятельного ремонта.
- Избегайте контактов детей с работающей стиральной машиной.
- При необходимости переместить стиральную машину следует выполнять эту операцию вдвоем или втроем с предельной осторожностью. Никогда не перемещайте машину в одиночку, так как машина очень тяжелая.
- Перед загрузкой в стиральную машину белья проверьте, чтобы барабан был пуст.

Утилизация

- Уничтожение упаковочных материалов: соблюдайте местные нормативы с целью повторного использования упаковочных материалов.
- Согласно Европейской Директиве 2002/96/CE касательно утилизации электронных и электрических электроприборов электроприборы не должны выбрасываться вместе с обычным городским мусором. Выведенные из строя приборы должны собираться отдельно для оптимизации их утилизации и рекуперации составляющих их материалов, а также для безопасности окружающей среды и здоровья. Символ зачеркнутая мусорная корзина, имеющийся на всех приборах, служит напоминанием об их отдельной утилизации. За более подробной информацией о правильной утилизации бытовых электроприборов пользователи могут обратиться в специальную государственную организацию или в магазин.

Экономия энергии и охрана окружающей среды

Экономия моющих средств, воды, электроэнергии и времени

- Для экономии ресурсов следует максимально загружать стиральную машину. Один цикл стирки при полной загрузке вместо двух циклов с наполовину загруженным барабаном позволяет сэкономить до 50% электроэнергии.
- Цикл предварительной стирки необходим только для очень грязного белья. При цикле предварительной стирки расходуется больше стирального порошка, времени, воды и на 5 – 15% больше электроэнергии.
- Если вы обрабатываете пятна пятновыводителем или замочите белье перед стиркой, это поможет избежать стирки при высоких температурах. Использование программы стирки при 60°C вместо 90°C, или 40°C вместо 60°C позволяет сэкономить до 50% электроэнергии.
- Правильная дозировка стирального порошка в зависимости от жесткости воды, степени загрязнения и объема загружаемого белья помогает избежать нерационального расхода моющего средства и загрязнения окружающей среды: хотя стиральные порошки и являются биоразлагаемыми, они содержат вещества, отрицательно влияющие на экологию. Кроме того, по возможности избегайте использовать ополаскиватели.
- Использование стиральной машины утром или вечером уменьшит пиковую нагрузку на электросеть. С помощью функции «Таймер отсрочки» можно запрограммировать начало стирки с вышеуказанной целью.
- Если белье должно сушиться в автоматической сушке, необходимо выбрать большую скорость отжима. Интенсивный отжим экономит время и электроэнергию при автоматической сушке.

Техническое обслуживание и уход

CIS

Отключение воды и электричества

- Перекрывайте водопроводный кран после каждой стирки. Таким образом сокращается износ водопроводной системы стиральной машины и устраняется вероятность протечек.
- Всегда вынимайте вилку из розетки перед мойкой и обслуживанием машины.

Уход за стиральной машиной

Внешние и резиновые части машины очищайте мягкой тканью с теплой мыльной водой. Не используйте растворители или абразивные чистящие средства.

Уход за дверцей машины и барабаном

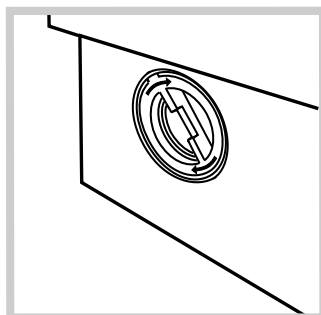
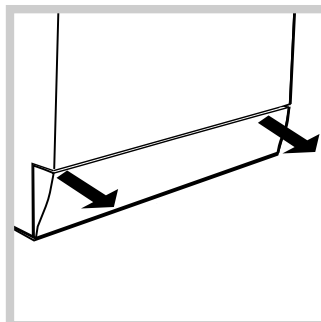
- После каждой стирки оставляйте дверцу машины полуоткрытой во избежание образования в барабане неприятных запахов и плесени.

Чистка насоса

Стиральная машина имеет сливной насос самоочищающегося типа, который не требует очистки или особого обслуживания. Однако мелкие предметы (монеты, пуговицы и др.) могут случайно попасть в насос. Для их извлечения насос оборудован «уловителем» — фильтром, доступ к которому закрыт нижней передней панелью.

! Убедитесь, что цикл стирки закончился, и отключите оборудование от сети.

Как достать предметы, упавшие в пространство между барабаном и кожухом машины:



1. снимите нижний плинтус в передней части стиральной машины, потянув обеими руками за его края (смотрите рисунок);

2. выверните крышку фильтра, вращая ее против часовой стрелки (см. рис.): из насоса может вылиться немного воды – это нормальное явление.

3. тщательно прочистите фильтр изнутри;

4. заверните крышку обратно;

5. установите на место переднюю панель, предварительно

убедившись, что крюки вошли в соответствующие петли.

Проверка заливного шланга

Проверяйте шланг не реже одного раза в год. При любых признаках течи или повреждения немедленно замените шланг. Во время работы машины неисправный шланг, находящийся под давлением воды, может внезапно лопнуть.

! Никогда не используйте шланги, бывшие в употреблении.

Как чистить распределитель моющих средств

Разборка:

Слегка нажмите на большую кнопку на передней стороне распределителя и вытяните его вверх (рис. 1, 2).

Чистка:

Затем промойте распределитель под струей воды (рис. 3), используя старую зубную щетку. Выньте пару сифонов, вставленных в вершину отделений 1 и 2 (рис. 4), проверьте не забиты ли они и промойте их.

Сборка:

Установите пару сифонов в специальные отверстия и затем поместите распределитель на место, вставляя его до щелчка (рис. 4, 2, 1).

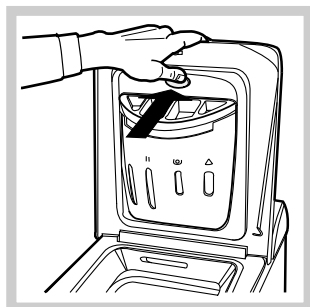


рис. 1

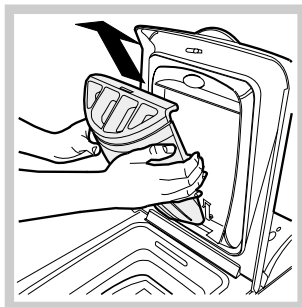


рис. 2

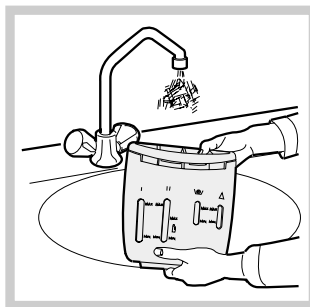


рис. 3

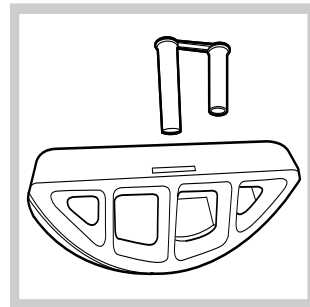


рис. 4

Если ваша стиральная машина не работает. Прежде чем обратиться в Центр Сервисного обслуживания (см. *Сервисное обслуживание*), проверьте, можно ли устранить неисправность, следуя рекомендациям, приведенным в следующем перечне.

Неисправности:

Стиральная машина не включается.

Возможные причины / Методы устранения:

- Штепсельная вилка не соединена с электро розеткой или отходит и не обеспечивает контакта.
- В доме отключено электричество.

Цикл стирки не запускается.

- Люк плохо закрыт.
- Не была нажата кнопка ВКЛ/ВЫКЛ.
- Не была нажата кнопка ПУСК/ПАУЗА.
- Перекрыт водопроводный кран.
- Была запрограммирована задержка запуска цикла (Таймер отсрочки, (см. *«Персонализированные настройки»*)).

Стиральная машина не заливает воду (часто мигает индикатор первой фазы стирки).

- Водопроводный шланг не подсоединен к крану.
- Шланг согнут.
- Перекрыт водопроводный кран.
- В доме нет воды.
- Недостаточное водопроводное давление.
- Не была нажата кнопка ПУСК/ПАУЗА.

Машина непрерывно заливает и сливает воду.

- Сливной шланг не находится на высоте 65 – 100 см. от пола (см. *«Установка»*).
- Конец сливного шланга погружен в воду (см. *«Установка»*).
- Настенное сливное отверстие не оснащено вантузом для выпуска воздуха.

Если после вышеперечисленных проверок неисправность не будет устранена, следует перекрыть водопроводный кран, выключить стиральную машину и обратиться в Центр Сервисного Обслуживания. Если ваша квартира находится на последних этажах здания, могут наблюдаться явления сифона, поэтому стиральная машина производит непрерывный залив и слив воды. Для устранения этой аномалии в продаже имеются специальные клапаны против явления сифона.

Стиральная машина не сливает воду и не отжимает белье.

- Выбранная программа не предусматривает слив воды: для некоторых программ необходимо включить слив вручную.
- Включена функция ЛЕГКАЯ ГЛАЖКА: для завершения программы нажмите кнопку ПУСК/ПАУЗА (см. *«Персонализированные настройки»*).
- Сливной шланг согнут (см. *«Установка»*).
- Засорен сливной трубопровод.

Стиральная машина сильно вибрирует в процессе отжима.

- В момент установки стиральной машины барабан был разблокирован неправильно (см. *«Установка»*).
- Стиральная машина установлена неровно (см. *«Установка»*).
- Машина зажата между стены и мебелью (см. *«Установка»*).

Утечки воды из стиральной машины.

- Плохо прикручен водопроводный шланг (см. *«Установка»*).
- Засорен распределитель моющего средства (порядок его чистки см. в параграфе *«Техническое обслуживание и уход»*).
- Сливной шланг плохо закреплен (см. *«Установка»*).

Индикатор ПУСК/ПАУЗА (оранжевый) и индикаторы функций часто мигают.

- Выключите машину и выньте штепсельную вилку из сетевой розетки, подождите 1 минуту и вновь включите машину. Если неисправность не устраняется, обратитесь в Сервисную Службу.

В процессе стирки образуется слишком обильная пена.

- Моющее средство непригодно для стирки в стиральной машине (на упаковке должно быть указано «для стирки в стиральной машине», «для ручной и машинной стирки» или подобное).
- В распределитель было помещено чрезмерное количество моющего средства.

Сервисное обслуживание

CIS

Перед тем как обратиться в Службу Сервиса:

- Проверьте, нельзя ли устранить неисправность самостоятельно (см. «Неисправности и методы их устранения»);
- Вновь запустите программу для проверки исправности машины;
- В противном случае обратиться в Авторизованный Сервисный Центр по телефонам, указанным в гарантийном таллоне.

! Никогда не обращайтесь к неавторизованным сервисным центрам.

При обращении в Сервисную Службу необходимо сообщить:

- тип неисправности;
- номер гарантийного документа (сервисной книжки, сервисного сертификата и т.п.);
- модель машины (Мод.) и серийный номер (S/N), указанные в информационной табличке, расположенной на задней панели стиральной машины.

GR

Ελληνικά

ARTXL 129

Περιεχόμενα

Εγκατάσταση, 38-39

Αποσυσκευασία και οριζόντιωση
Υδραυλικές και ηλεκτρικές συνδέσεις
Πρώτος κύκλος πλυσίματος
Τεχνικά στοιχεία

Περιγραφή του πλυντηρίου και εκκίνηση ενός προγράμματος, 40-41

Πίνακας ελέγχου
Ενδεικτικά φωτάκια
Πως ανοίγει και κλείνει ο κάδος
Εκκίνηση ενός προγράμματος

Προγράμματα, 42

Πίνακας των Προγραμμάτων

Εξατομικεύσεις, 43

Θέστε τη θερμοκρασία
Θέστε το στύψιμο
Λειτουργίες

Απορρυπαντικά και μπουγάδα, 44

Θήκη απορρυπαντικών
Κύκλος λεύκανσης
Προετοιμασία της μπουγάδας
Ειδικά ρούχα
Σύστημα ισοστάθμισης του φορτίου

Προφυλάξεις και συμβουλές, 45

Γενική ασφάλεια
Διάθεση
Εξοικονόμηση ενέργειας και σεβασμός του περιβάλλοντος

Συντήρηση και φροντίδα, 46

Κλείσιμο παροχών νερού και ηλεκτρικού ρεύματος
Καθαρισμός του πλυντηρίου
Φροντίδα της πόρτας και του κάδου
Καθαρισμός της αντλίας
Έλεγχος του σωλήνα τροφοδοσίας του νερού
Πως καθαρίζεται η θήκη απορρυπαντικού

Ανωμαλίες και λύσεις, 47

Υποστήριξη, 48

 **Hotpoint**
ARISTON

Εγκατάσταση

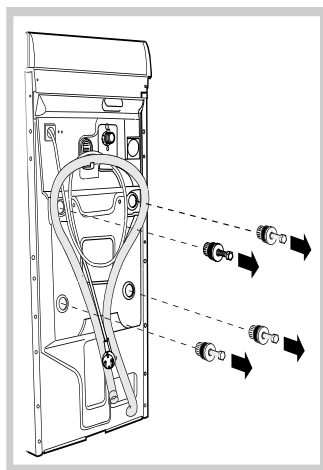
GR

! Είναι σημαντικό να φυλάξετε το εγχειρίδιο αυτό για να μπορείτε να το συμβουλευέστε οποιαδήποτε στιγμή. Σε περίπτωση πώλησης, παραχώρησης ή μετακόμισης, βεβαιωθείτε ότι παραμένει μαζί με το πλυντήριο για να πληροφορεί τον νέο ιδιοκτήτη για τη λειτουργία και τις σχετικές προειδοποιήσεις.

! Διαβάστε προσεκτικά τις οδηγίες: υπάρχουν σημαντικές πληροφορίες για την εγκατάσταση, τη χρήση και την ασφάλεια.

Αποσυσκευασία και οριζόντιωση

Αποσυσκευασία



1. Αποσυσκευάστε το πλυντήριο.
2. Ελέγξτε αν το πλυντήριο έχει υποστεί ζημιές κατά τη μεταφορά. Αν έχει υποστεί ζημιές μην το συνδέετε και επικοινωνήστε με τον μεταπωλητή.
3. Αφαιρέστε τις τέσσερις βίδες μεταφοράς και το λαστιχάκι με το σχετικό διαχωριστικό, που βρίσκονται στο πίσω μέρος (βλέπε εικόνα).

4. Κλείστε τις οπές με τα πλαστικά πώματα που σας παρέχονται.

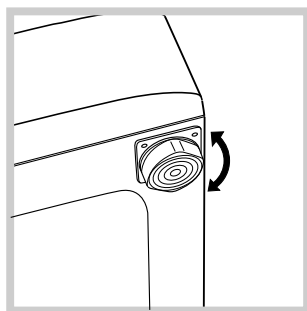
5. Διατηρείστε και τα τρία τεμάχια: αν το πλυντήριο χρειαστεί να μεταφερθεί, θα πρέπει να ξαναμονταριστούν.

Προσοχή: σε περίπτωση επαναχρησιμοποίησης οι πιο κοντές βίδες πρέπει να μονταριστούν επάνω.

! Οι συσκευασίες δεν είναι παιχνίδια για μικρά παιδιά.

Οριζόντιωση

1. Εγκαταστήστε το πλυντήριο σε ένα δάπεδο επίπεδο και ανθεκτικό, χωρίς να το ακουμπήσετε σε τοίχους, έπιπλα ή άλλο.

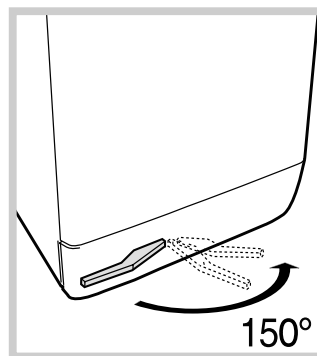


2. Αν το δάπεδο δεν είναι απόλυτα επίπεδο, οριζοντιώστε την συσκευή βιδώνοντας ή ξεβιδώνοντας τις ειδικές βάσεις στο μπροστινό τμήμα της συσκευής (βλέπε εικόνα). Η γωνία κλίσης, μετρημένη στην επιφάνεια εργασίας, δεν πρέπει να ξεπερνάει τις 2°.

Η σωστή οριζόντιωση προσδίδει σταθερότητα στο μηχάνημα και αποσοβεί δονήσεις, θορύβους και μετατοπίσεις κατά τη λειτουργία. Αν το πλυντήριο

τοποθετηθεί πάνω σε μοκέτα ή τάπητα, ρυθμίστε τα ποδαράκια έτσι ώστε να υπάρχει κάτω από το πλυντήριο αρκετός χώρος για τον αερισμό.

Τοποθέτηση, μετατοπίσεις

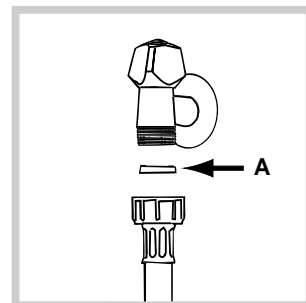


Αν το πλυντήριο σας διαθέτει ένα ειδικό τρόλεϋ με τροχούς που μαζεύονται, θα διευκολυνθείτε στη μετατόπιση. Για να κατέβει το τρόλεϋ αυτό και για τη μετακίνηση χωρίς δυσκολία, πρέπει να τραβήξετε το μοχλό, που βρίσκεται κάτω αριστερά, κάτω από τη βάση. Αφού

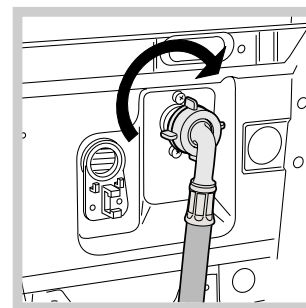
ολοκληρώσετε τη μετακίνηση ξαναφέρετε τον στην αρχική του θέση. Στο σημείο αυτό, το μηχάνημα είναι σταθερά τοποθετημένο. Βλέπε εικόνα (Μόνο για τα προβλεπόμενα μοντέλα).

Υδραυλικές και ηλεκτρικές συνδέσεις

Σύνδεση του σωλήνα τροφοδοσίας νερού



1. Εισάγετε την τσιμούχα Α στο άκρο του σωλήνα τροφοδοσίας και βιδώστε τη μια βρύση κρύου νερού με στόμιο σπειρώματος 3/4 gas (βλέπε εικόνα). Πριν την σύνδεση αφήστε το νερό να τρέξει μέχρι αυτό να είναι διαυγές.



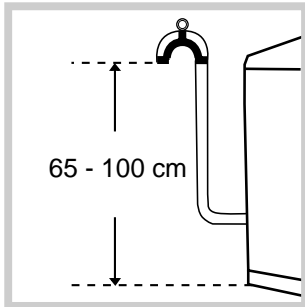
2. Συνδέστε το σωλήνα τροφοδοσίας στο πλυντήριο βιδώνοντάς το στην αντίστοιχη είσοδο νερού, στο πίσω μέρος επάνω δεξιά (βλέπε εικόνα).

3. Βεβαιωθείτε ότι ο σωλήνας δεν είναι τσακισμένος σε κανένα σημείο του.

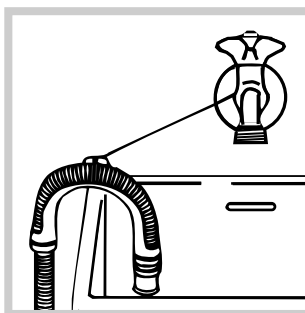
! Η πίεση του νερού πρέπει να κυμαίνεται μεταξύ των τιμών του πίνακα με τα τεχνικά στοιχεία (βλέπε επόμενη σελίδα).

! Αν το μήκος του σωλήνα τροφοδοσίας νερού δεν επαρκεί, θα πρέπει να απευθυνθείτε σε ειδικευμένο κατάστημα ή σε εξουσιοδοτημένο τεχνικό.

Σύνδεση του σωλήνα αδειάσματος



Συνδέστε αδειάσματος, χωρίς να τον διπλώσετε, σε έναν αγωγό εκκένωσης ή σε μια επιτοίχια αποχέτευση σε απόσταση από 65 έως 100 cm από το έδαφος.



Διαφορετικά αποθέστε τον στο χείλος ενός νιπτήρα ή μιας λεκάνης, δένοντας τον οδηγό που σας παρέχεται στον κρουνό (βλέπε εικόνα). Το ελεύθερο άκρο του σωλήνα αδειάσματος δεν πρέπει να παραμένει βυθισμένο στο νερό.

! Δεν συνιστάται η χρήση προεκτάσεων σωλήνων. Αν απαιτείται, η προέκταση πρέπει να έχει την ίδια διάμετρο του αρχικού σωλήνα και να μην ξεπερνάει τα 150 cm.

Ηλεκτρική σύνδεση

Πριν εισάγετε το βύσμα στην ηλεκτρική πρίζα, βεβαιωθείτε ότι:

- η πρίζα διαθέτει γείωση και τηρεί τις εκ του νόμου προδιαγραφές.
- Η πρίζα να είναι σε θέση να υποφέρει το μέγιστο φορτίο ισχύος της μηχανής, που αναφέρεται στον πίνακα Τεχνικών στοιχείων (βλέπε δίπλα).
- Η τάση τροφοδοσίας να κυμαίνεται μεταξύ των τιμών που αναφέρονται στον πίνακα Τεχνικών στοιχείων (βλέπε δίπλα).
- Η πρίζα να είναι συμβατή με το βύσμα του πλυντηρίου. Σε αντίθετη περίπτωση, αντικαταστήστε την πρίζα ή το βύσμα.

! Το πλυντήριο δεν εγκαθίσταται σε ανοιχτό χώρο, ακόμη και αν ο χώρος είναι καλυμμένος, διότι είναι πολύ επικίνδυνο να το αφήνετε εκτεθειμένο σε βροχή και κακοκαιρία.

! Με την εγκατάσταση του πλυντηρίου, η πρίζα ρεύματος πρέπει να είναι εύκολα προσβάσιμη.

! Μη χρησιμοποιείτε προεκτάσεις και πολύπριζα.

! Το καλώδιο δεν πρέπει να φέρει πτυχές ή να είναι συμπιεσμένο.



! Το καλώδιο τροφοδοσίας πρέπει να αντικαθίσταται μόνο από εξουσιοδοτημένους τεχνικούς.

Προσοχή! Η επιχείρηση αποποιείται κάθε ευθύνης σε περίπτωση που δεν τηρούνται αυτοί οι κανόνες.

Πρώτος κύκλος πλυσίματος

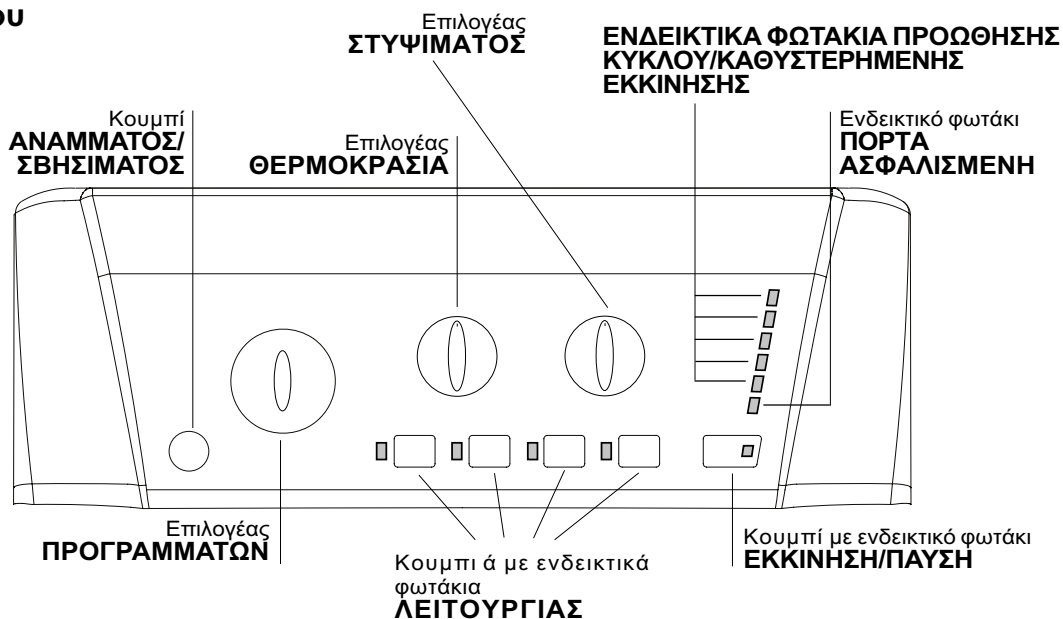
Μετά την εγκατάσταση, πριν τη χρήση, διενεργήστε ένα κύκλο πλυσίματος με απορρυπαντικό και χωρίς ρούχα θέτοντας το πρόγραμμα 2.

Τεχνικά στοιχεία

Μοντέλο	ARTXL 129
Διαστάσεις	πλάτος cm 40 ύψος cm 85 βάθος cm 60
Χωρητικότητα	από 1 έως 6 kg
Ηλεκτρικές συνδέσεις	Βλέπε την πινακίδα χαρακτηριστικών επί της μηχανής
Συνδέσεις νερού	μέγιστη πίεση 1 MPa (10 bar) Ελάχιστη πίεση 0,05 MPa (0,5 bar) χωρητικότητα του κάδου 42 λίτρα
Ταχύτητα στυψίματος	μέχρι 1200 στροφές το λεπτό
Προγράμματα ελέγχου σύμφωνα με τον κανονισμό EN 60456	πρόγραμμα 7; θερμοκρασία 60°C; εκτελούμενο με 6 kg μπουγάδας.
	Η συσκευή αυτή είναι σύμφωνη με τις ακόλουθες οιντοτικές Οδηγίες: - 89/336/CEE της 03/05/89 (Ηλεκτρομαγνητική Συμβατότητα) και μεταγενέστερες τροποποιήσεις - 2002/96/CE - 2006/95/CE (Χαμηλή Τάση)
	

Περιγραφή του πλυντηρίου και εκκίνηση ενός προγράμματος

Πίνακας ελέγχου



Κουμπί ΑΝΑΜΜΑΤΟΣ/ΣΒΗΣΙΜΑΤΟΣ: Για να ανάψετε ή να σβήσετε το πλυντήριο.

Επιλογέας ΠΡΟΓΡΑΜΜΑΤΩΝ: για να θέσετε τα προγράμματα. Κατά τη διάρκεια του προγράμματος ο επιλογέας παραμένει ακίνητος.

Κουμπι ά με ενδεικτικά φωτάκια ΛΕΙΤΟΥΡΓΙΑΣ: για να επιλέξετε τις διαθέσιμες λειτουργίες. Το σχετικό με την επιλεγείσα λειτουργία ενδεικτικό φωτάκι θα παραμείνει αναμμένο.

Επιλογέας ΣΤΥΨΙΜΑΤΟΣ: για να θέσετε το στύψιμο ή να το αποκλείσετε (βλέπε «Εξατομικεύσεις»).

Επιλογέας ΘΕΡΜΟΚΡΑΣΙΑ: για να θέσετε τη θερμοκρασία ή το πλύσιμο σε κρύο νερό (βλέπε «Εξατομικεύσεις»).

ΕΝΔΕΙΚΤΙΚΑ ΦΩΤΑΚΙΑ ΠΡΟΩΘΗΣΗΣ ΚΥΚΛΟΥ/ΚΑΘΥΣΤΕΡΗΜΕΝΗΣ ΕΚΚΙΝΗΣΗΣ: για να ακολουθείτε την κατάσταση προόδου του προγράμματος πλυσίματος.

Το αναμμένο ενδεικτικό φωτάκι δείχνει την σε εξέλιξη φάση.

Αν τέθηκε η λειτουργία «Καθυστερημένη εκκίνηση», θα δείχνουν τον χρόνο που υπολείπεται για την έναρξη του προγράμματος (βλέπε σελίδα δίπλα).

Ενδεικτικό φωτάκι ΠΟΡΤΑ ΑΣΦΑΛΙΣΜΕΝΗ: για να καταλάβετε αν η πόρτα ανοίγει (βλέπε σελίδα δίπλα).

Κουμπι με ενδεικτικό φωτάκι ΕΚΚΙΝΗΣΗ/ΠΑΥΣΗ: για την εκκίνηση των προγραμμάτων ή την προσωρινή διακοπή τους.

ΣΗΜΕΙΩΣΗ: για να θέσετε σε παύση το σε εξέλιξη πλύσιμο, πιάστε το κουμπι αυτό, το σχετικό ενδεικτικό

φωτάκι θα ανάψει με πορτοκαλί χρώμα ενώ εκείνο της σε εξέλιξη φάσης θα είναι συνεχώς αναμμένο. Αν το ενδεικτικό φωτάκι ΠΟΡΤΑ ΑΣΦΑΛΙΣΜΕΝΗ =ο σβήσει, μπορείτε να ανοίξετε την πόρτα. Για να ξεκινήσει πάλι το πλύσιμο από το σημείο διακοπής, πατήστε εκ νέου το κουμπι αυτό.

Ενδεικτικά φωτάκια

Τα ενδεικτικά φωτάκια παρέχουν σημαντικές πληροφορίες. Να τι μας λένε:

Καθυστερημένη εκκίνηση

Αν ενεργοποιήθηκε η λειτουργία «Καθυστερημένη εκκίνηση» (βλέπε «Εξατομικεύσεις»), αφού εκκινήσετε το πρόγραμμα, θα αρχίσει να αναβοσβήνει το ενδεικτικό φωτάκι το σχετικό με την επιλεγμένη καθυστέρηση:



Με το πέρασμα του χρόνου θα απεικονίζεται η υπολειπόμενη καθυστέρηση, με το σχετικό ενδεικτικό φωτάκι να αναβοσβήνει.



Αφού διανυθεί η επιλεγείσα καθυστέρηση το ενδεικτικό φωτάκι που αναβοσβήνει θα σβήσει και θα αρχίσει το τεθέν πρόγραμμα.

Ενδεικτικά φωτάκια φάσης σε εξέλιξη

Κατά τον επιθυμητό κύκλο πλυσίματος, τα ενδεικτικά φωτάκια θα ανάψουν προοδευτικά για να δείξουν την κατάσταση προώθησης:

Πλύσιμο		
Ξέβγαλμα		
Στύψιμο		
Αδειασμα		
Τέλος Πλυσίματος	END	

Κουμπιά λειτουργίας και σχετικά ενδεικτικά φωτάκια

Επιλέγοντας μια λειτουργία το σχετικό ενδεικτικό φωτάκι θα φωτιστεί. Αν η επιλεγμένη λειτουργία δεν είναι συμβατή με το τεθέν πρόγραμμα το σχετικό ενδεικτικό φωτάκι θα αναβοσβήνει και η λειτουργία δεν θα ενεργοποιηθεί. Στην περίπτωση που τεθεί μια λειτουργία μη συμβατή με μια άλλη που επιλέχθηκε προηγουμένως θα παραμείνει ενεργή μόνο η τελευταία επιλογή.

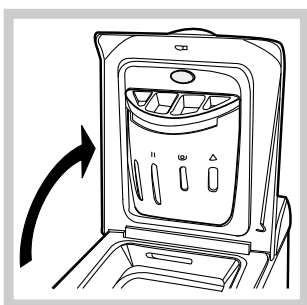
☞ Ενδεικτικό φωτάκι ασφαλισμένης πόρτας

Το αναμμένο ενδεικτικό φωτάκι δείχνει ότι η πόρτα είναι ασφαλισμένη για την παρεμπόδιση τυχαίων ανοιγμάτων. Για την αποφυγή ζημιών πρέπει να περιμένετε να σβήσει το ενδεικτικό φωτάκι πριν το άνοιγμα της πόρτας (Η αναμονή διαρκεί περίπου τρία λεπτά).

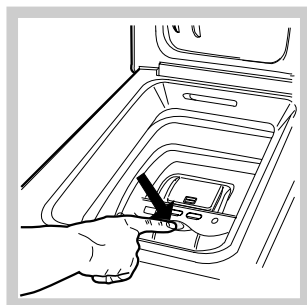
ΣΗΜΕΙΩΣΗ: αν είναι ενεργή η λειτουργία “Καθυστερημένη εκκίνηση” η πόρτα δεν μπορεί να ανοίξει, για να την ανοίξετε θέστε τη μηχανή σε παύση πιέζοντας το κουμπί ΕΚΚΙΝΗΣΗ/ΠΑΥΣΗ.

! Το ταχύ αναβοσβήσιμο του φωτός ΕΚΚΙΝΗΣΗ/ΠΑΥΣΗ (πορτοκαλί) ταυτόχρονα με εκείνο των λειτουργιών επισημαίνει μια ανωμαλία (βλέπε “Ανωμαλίες και λύσεις”).

Πως ανοίγει και κλείνει ο κάδος



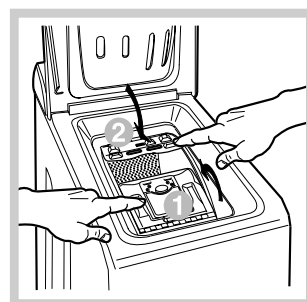
Εικ. 1



Εικ. 2



Εικ. 3



Εικ. 4

A) ΑΝΟΙΓΜΑ (Εικ. 1):

Ανασηκώστε το εξωτερικό καπάκι και ανοίξτε τελείως.

B) Άνοιγμα κάδου (Soft opening):

Με ένα δάχτυλο πιέστε το κουμπί που υποδεικνύεται στην εικ. 2 και ο κάδος θα ανοίξει απαλά.

C) ΕΙΣΑΓΩΓΗ ΡΟΥΧΩΝ (Εικ. 3).

D) ΚΛΕΙΣΙΜΟ (Εικ. 4):

- κλείστε καλά τον κάδο χαμηλώνοντας πρώτα την πρόσθια πόρτα και αποθέτοντας κατόπιν την πίσω;
- βεβαιωθείτε κατόπιν ότι οι γάντζοι της πρόσθιας πόρτας είναι άφογα τοποθετημένοι στην έδρα της πίσω πόρτας;
- αφού ακούσετε το “κλακ” του κουμπώματος, εξασκήστε μια ελαφρά πίεση προς τα κάτω σε αμφότερες τις πόρτες που δεν πρέπει να απασφαλιστούν;
- τέλος, κλείστε το εξωτερικό καπάκι.

Εκκίνηση ενός προγράμματος

1. Ανάψτε το πλυντήριο πιέζοντας το κουμπί ΑΝΑΜΜΑ/ΣΒΗΣΙΜΟ. Όλα τα ενδεικτικά φωτάκια θα ανάψουν μερικά δευτερόλεπτα, μετά θα σβήσουν και θα πάλλεται το ενδεικτικό φωτάκι ΕΚΚΙΝΗΣΗ/ΠΑΥΣΗ.
2. Φορτώστε τα ασπρόρουχα, κλείστε τις θυρίδες και το καπάκι.
3. Θέστε με τον επιλογέα ΠΡΟΓΡΑΜΜΑΤΩΝ το επιθυμητό πρόγραμμα.
4. Θέστε τη θερμοκρασία πλυσίματος (βλέπε «Εξατομικεύσεις»).
5. Θέστε την ταχύτητα στύψιματος (βλέπε «Εξατομικεύσεις»).
6. Χύστε απορρυπαντικό και πρόσθετα (βλέπε «Απορρυπαντικά και μπουγάδα»).
7. Επιλέξτε τις διαθέσιμες λειτουργίες.
8. Εκκινήστε το πρόγραμμα πιέζοντας το κουμπί ΕΚΚΙΝΗΣΗ/ΠΑΥΣΗ και το σχετικό ενδεικτικό φωτάκι θα παραμείνει αναμμένο συνεχώς με πράσινο χρώμα. Για να ακυρώσετε τον τεθέντα κύκλο θέστε τη μηχανή σε παύση πιέζοντας το κουμπί ΕΚΚΙΝΗΣΗΣ/ΠΑΥΣΗΣ και επιλέξτε ένα νέο κύκλο.
9. Στο τέλος του προγράμματος θα φωτιστεί το ενδεικτικό φωτάκι END. Το ενδεικτικό φωτάκι ΠΟΡΤΑ ΑΣΦΑΛΙΣΜΕΝΗ θα σβήσει δείχνοντας ότι η πόρτα μπορεί να ανοίξει. Βγάλτε τη μπουγάδα και αφήστε την πόρτα μισόκλειστη για να στεγνώσει ο κάδος. Σβήστε το πλυντήριο πιέζοντας το κουμπί ΑΝΑΜΜΑ/ΣΒΗΣΙΜΟ.

Προγράμματα

Πίνακας των Προγραμμάτων

Προγράμματα	Περιγραφή του Προγράμματος	Μέγιστη θερμοκρασία (°C)	Μέγιστη ταχύτητα (στροφές ανά λεπτό)	Απορρυπαντικά			Μέγιστο φορτίο (Kg)	Διάρκεια κύκλου
				Λευκαντικό	Πλύσιμο	Μολακτικό		
Ειδικά Προγράμματα								
7	ΚΥΚΛΟΣ ΑΠΟΣΤΕΙΡΩΣΗΣ: Λευκά εξαιρετικά λερωμένα.	90°	1200	●	●	●	6	165
7	ΚΥΚΛΟΣ ΑΠΟΣΤΕΙΡΩΣΗΣ (1): Λευκά και χρωματιστά ανθεκτικά, πολύ λερωμένα.	60°	1200	-	●	●	6	141
8	ΑΛΗΝΥΧΤΑ: Χρωματιστά ευαίσθητα λίγο λερωμένα.	40°	800	-	●	●	4	288
9	ΠΑΥΣΗ ΓΙΑ ΜΩΡΑ: Χρωματιστά ευαίσθητα λίγο λερωμένα.	40°	800	-	●	●	2	116
10	ΠΟΙΚΑΜΙΣΑ	40°	600	-	●	●	2	69
11	ΜΕΤΑΞΩΤΑ/ ΟΥΡΤ'ΙΝΕΣ: Για μεταξωτά ρούχα, βισκόζη, λινά.	30°	0	-	●	●	1	55
12	Μ'ΑΛΛΙΝΑ: Για μάλλινα, cachemire, κλπ.	40°	600	-	●	●	1	55
Προγράμματα για όλες τις μέρες								
1	ΒΑΜΒΑΚΕΡ'Α ΠΡΟΠΛΥΣΗ: Λευκά εξαιρετικά λερωμένα.	90°	1200	-	●	●	6	164
2	ΒΑΜΒΑΚΕΡ'Α: Λευκά και χρωματιστά ανθεκτικά, πολύ λερωμένα.	60°	1200	●	●	●	6	138
2	ΒΑΜΒΑΚΕΡ'Α (2): Λευκά και χρωματιστά ευαίσθητα, πολύ λερωμένα.	40°	1200	●	●	●	6	123
3	ΒΑΜΒΑΚΕΡ'Α ΧΡΩΜΑΤΙΣΤ'Α (3): Λευκά λίγο λερωμένα και ευαίσθητα χρώματα.	40°	1200	●	●	●	6	89
4	ΣΥΝΘΕΤΙΚΑ: Χρωματιστά ανθεκτικά, πολύ λερωμένα.	60°	800	-	●	●	2,5	85
4	ΣΥΝΘΕΤΙΚΑ 40°: Χρωματιστά ανθεκτικά, λίγο λερωμένα.	40°	800	-	●	●	2,5	73
5	ΦΡΕΣΚΑΡΙΣΜΑ 30': Για το γρήγορο φρεσκάρισμα ρούχων ελαφρά λερωμένων (δεν ενδείκνυται για μάλλινα, μεταξωτά και ρούχα που πλένονται στο χέρι).	30°	800	-	●	●	3	30
6	ΦΡΕΣΚΑΡΙΣΜΑ 15': Για το γρήγορο φρεσκάρισμα ρούχων ελαφρά λερωμένων (δεν ενδείκνυται για μάλλινα, μεταξωτά και ρούχα που πλένονται στο χέρι).	30°	800	-	●	●	1,5	15
Επί μέρους προγράμματα								
	ΞΕΒΓΑΛΜΑ ΒΑΜΒΑΚΕΡΑ	-	1200	●	-	●	6	36
	ΣΤΥΨΙΜΟ ΑΝΘΕΚΤΙΚΑ	-	1200	-	-	-	6	16
	ΣΕΥΨΙΜΟ ΕΥΑΙΣΘΗΤΑ	-	800	-	-	-	2,5	12
	ΑΜΟΧΕΤΕΥΣΗ ΝΕΡΟΥ	-	0	-	-	-	6	2

Τα στοιχεία που αναφέρονται στον πίνακα είναι ενδεικτικά.

Για όλα τα Test Institutes:

- 1) Πρόγραμμα ελέγχου σύμφωνα με την προδιαγραφή EN 60456: θέστε το πρόγραμμα 7 σε μια θερμοκρασία 60°C.
- 2) Πρόγραμμα βαμβακερών μακρύ: θέστε το πρόγραμμα 2 σε μια θερμοκρασία 40°C.
- 3) Πρόγραμμα βαμβακερών σύντομο: θέστε το πρόγραμμα 3 σε μια θερμοκρασία 40°C.

Ειδικά προγράμματα

ΚΥΚΛΟΣ ΑΠΟΣΤΕΙΡΩΣΗΣ (πρόγραμμα 7). Ένα εξυγιαντικό πρόγραμμα σε υψηλές θερμοκρασίες που προβλέπει τη χρήση λευκαντικού σε θερμοκρασίες ανώτερες των 60°C. Για τη λεύκανση χύστε το λευκαντικό, τα απορρυπαντικά και τα πρόσθετα στα σχετικά διαμερίσματα (βλέπε παράγραφο "Συρτάρι των απορρυπαντικών").

ΑΛΗΝΥΧΤΑ (πρόγραμμα 8). Είναι ένας αθόρυβος κύκλος που μπορεί να δουλεύει τη νύχτα όταν το τιμολόγιο του ηλεκτρικού είναι μειωμένο. Το πρόγραμμα μελετήθηκε για συνθετικά και βαμβακερά τούχα. Στο τέλος του κύκλου η μηχανή σταματάει με το νερό στη λεκάνη. Για το στύψιμο και το άδειασμα πιέστε το κουμπί ΕΚΚΙΝΗΣΗ/ΠΑΥΣΗ, διαφορετικά μετά από 8 ώρες η μηχανή θα κάνει αυτόματα το στύψιμο και το άδειασμα του νερού.

ΠΑΥΣΗ ΓΙΑ ΜΩΡΑ (πρόγραμμα 9). Πρόγραμμα ικανό να απομακρύνει τους λεκέδες τυπικούς των μωρών, διασφαλίζοντας την απομάκρυνση του απορρυπαντικού από τα ρούχα για την αποφυγή αλλεργιών στο ευαίσθητο δέρμα των μωρών. Ο κύκλος μελετήθηκε για να μειώνει το βακτηριδιακό φορτίο χρησιμοποιώντας μικρότερη ποσότητα νερού και βελτιστοποιώντας την επίδραση των ειδικών εξυγιαντικών πρόσθετων στο απορρυπαντικό.

ΦΡΕΣΚΑΡΙΣΜΑ 30' (πρόγραμμα 5) μελετήθηκε για το πλύσιμο ρούχων ελαφρά λερωμένων σε σύντομο χρόνο: διαρκεί μόνο 30 λεπτά και σας εξοικονομεί χρόνο και ενέργεια. Θέτοντας το πρόγραμμα (5 σε 30°C) μπορείτε να πλύνετε μαζί υφάσματα διαφορετικής φύσης (εκτός μάλλινων και μεταξωτών) με ένα μέγιστο φορτίο 3 kg.

ΦΡΕΣΚΑΡΙΣΜΑ 15' (πρόγραμμα 6) μελετήθηκε για το πλύσιμο ρούχων ελαφρά λερωμένων σε σύντομο χρόνο: διαρκεί μόνο 15 λεπτά και σας εξοικονομεί χρόνο και ενέργεια. Θέτοντας το πρόγραμμα (6 σε 30°C) μπορείτε να πλύνετε μαζί υφάσματα διαφορετικής φύσης (εκτός μάλλινων και μεταξωτών) με ένα μέγιστο φορτίο 1,5 kg.

Θέστε τη θερμοκρασία

Στρέφοντας τον επιλογέα ΘΕΡΜΟΚΡΑΣΙΑ τίθεται η θερμοκρασία πλυσίματος (βλέπε *Πίνακα προγραμμάτων*). Η θερμοκρασία μπορεί να μειωθεί μέχρι το πλύσιμο σε κρύο νερό (❄).

Το μηχάνημα θα παρεμποδίσει αυτόματα τη θέση θερμοκρασίας μεγαλύτερης της μέγιστης προβλεπόμενης για κάθε πρόγραμμα.

Θέστε το στύψιμο

Στρέφοντας τον επιλογέα ΣΤΥΨΙΜΟ τίθεται η ταχύτητα στυψίματος του επιλεγμένου προγράμματος.

Οι μέγιστες προβλεπόμενες ταχύτητες για τα προγράμματα είναι:

Προγράμματα	Μέγιστη ταχύτητα
Βαμβακερά	1200 στροφές ανά λεπτό
Συνθετικά	800 στροφές ανά λεπτό
Μάλλινα	600 στροφές ανά λεπτό
Μεταξωτά	μόνο άδειασμα

Η ταχύτητα στυψίματος μπορεί να ελαττωθεί ή να αποκλειστεί επιλέγοντας το σύμβολο ⏸.

Το μηχάνημα θα παρεμποδίσει αυτόματα τη διενέργεια στυψίματος μεγαλύτερου του μέγιστου προβλεπόμενου για κάθε πρόγραμμα.

Λειτουργίες

Οι διάφορες λειτουργίες πλυσίματος που προβλέπονται από το πλυντήριο επιτρέπουν την επίτευξη του καθαρισμού και του λευκού που επιθυμείτε.



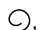

Για την ενεργοποίηση των λειτουργιών:

- πιέστε το πλήκτρο το σχετικό με την επιλεγμένη λειτουργία.
- Το άναμμα του ενδεικτικού φωτός επισημαίνει ότι η λειτουργία είναι ενεργή.

Παρατήρηση: Το γρήγορο αναβοσβήσιμο του ενδεικτικού φωτός δείχνει ότι η σχετική λειτουργία δεν μπορεί να επιλεγεί για το τεθέν πρόγραμμα.

Super Wash

Χάρη στη χρήση μεγαλύτερης ποσότητας νερού στην αρχική φάση του κύκλου και στη χρήση περισσότερου χρόνου, η δυνατότητα αυτή εξασφαλίζει ένα πλύσιμο υψηλών επιδόσεων.

! Δεν είναι ενεργό στα προγράμματα 5, 6, 7, 11, 12, , , , .

Έξτρα Ξέβγαλμα

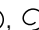

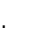
Επιλέγοντας τη δυνατότητα αυτή αυξάνεται η αποτελεσματικότητα του ξεβγάλματος και εξασφαλίζεται η μέγιστη απομάκρυνση του απορρυπαντικού. Είναι χρήσιμο για επιδερμίδες ιδιαίτερα ευαίσθητες.

! Δεν είναι ενεργό στα προγράμματα 5, 6, , , .

Εύκολο σιδέρωμα

Επιλέγοντας τη λειτουργία αυτή, το πλύσιμο και το στύψιμο θα τροποποιηθούν κατάλληλα για τη μείωση σχηματισμού τσαλακωμάτων.

Στο πρόγραμμα 4, 8, 11 η μηχανή θα τελειώσει τον κύκλο με την μπουγάδα σε μούλιασμα και το ενδεικτικό φωτάκι της λειτουργίας ΕΥΚΟΛΟ ΣΙΔΕΡΩΜΑ και της ΕΚΚΙΝΗΣΗΣ/ΠΑΥΣΗΣ θα αναβοσβήνουν (πορτοκαλί) και η φάση ΞΕΒΓΑΛΜΑΤΟΣ θα παραμείνει συνεχώς αναμμένη. Για να αδειάσετε το νερό και να μπορείτε να βγάλετε την μπουγάδα πρέπει να πατήσετε το κουμπί ΕΚΚΙΝΗΣΗΣ/ΠΑΥΣΗΣ ή το κουμπί ΕΥΚΟΛΟ ΣΙΔΕΡΩΜΑ.

! Δεν είναι ενεργό στα προγράμματα 5, 6, 7, 8, 9, 12, , , .

Καθυστερημένη εκκίνηση

Καθυστερεί την εκκίνηση του μηχανήματος μέχρι 12 ώρες.

Πιέστε πολλές φορές το πλήκτρο μέχρι να ανάψει το ενδεικτικό φωτάκι το σχετικό με την επιθυμητή καθυστέρηση. Στην πέμπτη φορά που θα πιέσετε το κουμπί η λειτουργία θα απενεργοποιηθεί.

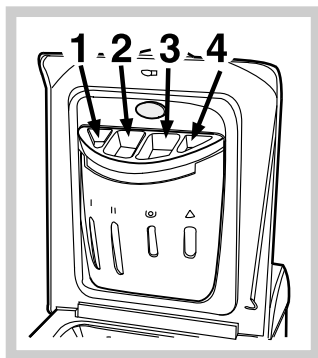
ΣΗΜΕΙΩΣΗ: Αφού πατηθεί το πλήκτρο ΕΚΚΙΝΗΣΗΣ/ΠΑΥΣΗΣ, μπορείτε να αλλάξετε την τιμή καθυστέρησης μόνο μειώνοντάς την.

! Είναι ενεργό με όλα τα προγράμματα.

Απορρυπαντικά και μπουγάδα

Θήκη απορρυπαντικών

Το καλό αποτέλεσμα του πλυσίματος εξαρτάται επίσης και από τη σωστή δοσολογία του απορρυπαντικού: υπερβάλλοντας δεν πλένουμε αποτελεσματικότερα και επιπλέον συντελούμε στη δημιουργία κρούστας στα εσωτερικά μέρη του πλυντηρίου και στη μόλυνση του περιβάλλοντος.



Βγάλτε τη θήκη απορρυπαντικών και εισάγετε το απορρυπαντικό ή το πρόσθετο ως εξής.

Λεκανίτσα 1: Απορρυπαντικό για πρόπλυση (σε σκόνη)

Λεκανίτσα 2: Απορρυπαντικό για πλύσιμο (σε σκόνη ή σε υγρό)

το υγρό απορρυπαντικό είναι καλό να το εγχύετε απ' ευθείας στη λεκάνη μέσω της αντίστοιχης μπαλίτσας δοσομέτρησης.


Λεκανίτσα 3: Πρόσθετα (μαλακτικό, κλπ.)

Όταν χύνετε το μαλακτικό στο διαμέρισμα 3, προσέξτε να μην ξεπεράσει την υποδεικνυόμενη στάθμη "max".

Το μαλακτικό εισάγεται αυτόματα στη μηχανή κατά το τελευταίο ξέβγαλμα. Στο τέλος του προγράμματος πλύσης στο διαμέρισμα 3 παραμένει υπόλειμμα νερού. Αυτό χρησιμεύει για την εισχώρηση πολύ πυκνών μαλακτικών, δηλαδή για να αραιώσει τα συμπυκνωμένα. Αν στο διαμέρισμα 3 παραμείνει νερό περισσότερο από το κανονικό, αυτό σημαίνει ότι η διάταξη εκκένωσης είναι βουλωμένη. Για τον καθαρισμό βλέπε "Συντήρηση και φροντίδα".

Λεκανίτσα 4: Χλωρίνη

Κύκλος λεύκανσης

Η λεύκανση μπορεί να διενεργηθεί μόνο με τα προγράμματα **2, 3, 7**, .

Χύστε το λευκαντικό στη θήκη **4**, το απορρυπαντικό και το μαλακτικό στις σχετικές λεκανίτσες, κατόπιν θέστε ένα από τα προαναφερθέντα προγράμματα. Ενδείκνυται μόνο για ρούχα βαμβακερά πολύ λερωμένα.

Προετοιμασία της μπουγάδας

- Χωρίστε τη μπουγάδα ανάλογα:
 - με το είδος του υφάσματος/ το σύμβολο της ετικέτας.
 - τα χρώματα: χωρίστε τα χρωματιστά ρούχα από τα λευκά.
- Εκκενώστε τις τσέπες και ελέγξτε τα κουμπιά.
- Μην ξεπερνάτε τις υποδεικνυόμενες τιμές, σε σχέση με το βάρος της στεγνής μπουγάδας:
 - Ανθεκτικά υφάσματα: max 6 kg
 - Συνθετικά υφάσματα: max 2,5 kg
 - Ευαίσθητα υφάσματα: max 2 kg
 - Μάλλινα: max 1 kg

Πόσο ζυγίζει η μπουγάδα;

- 1 σεντόνι 400-500 gr.
- 1 μαξιλαροθήκη 150-200 gr.
- 1 τραπεζομάντιλο 400-500 gr.
- 1 μπουρνούζι 900-1.200 gr.
- 1 πετσέτα 150-250 gr.


Ειδικά ρούχα

Ποικαμια: χρησιμοποιήστε το αντίστοιχο πρόγραμμα **10** για να πλύνετε πουκάμισα διαφόρων ειδών υφάσματος και χρώματος.

Εξασφαλίζει τη μέγιστη φροντίδα ελαχιστοποιώντας το σχηματισμό τσαλακωμάτων.

Μεταξωτά: χρησιμοποιήστε το αντίστοιχο πρόγραμμα **11** για να πλύνετε όλα τα μεταξωτά ρούχα. Συνιστάται η χρήση ενός ειδικού απορρυπαντικού για ευαίσθητα ρούχα.

Κουρτίνες: διπλώστε τις μέσα σε ένα μαξιλάρι ή σε ένα δικτυωτό σακούλι. Χρησιμοποιήστε το πρόγραμμα **11**.

Μάλλινα: Το Hotpoint/Ariston είναι το μοναδικό πλυντήριο που κατέκτησε τη σημαντική αναγνώριση Woolmark Platinum Care (M.0508) εκ μέρους της The Woolmark Company, που πιστοποιεί το πλύσιμο στο πλυντήριο όλων των μάλλινων ρούχων καθώς και εκείνων που φέρουν την ετικέτα "μόνο πλύσιμο στο χέρι" . Με το πρόγραμμα **12** έχετε συνεπώς απόλυτη βεβαιότητα να πλένετε στο πλυντήριο όλα τα μάλλινα ρούχα (max. 1 kg) με την εγγύηση των καλύτερων επιδόσεων.

Σύστημα ισοστάθμισης του φορτίου

Πριν από κάθε στύψιμο, για να αποφύγετε δονήσεις υπερβολικές και για να καταλείψετε ομοίμορφα το φορτίο, ο κάδος διενεργεί περιστροφές σε μια ταχύτητα ελαφρά ανώτερη εκείνης του πλυσίματος. Αν στο τέλος των διαδοχικών προσπαθειών το φορτίο δεν έχει ακόμη εξισορροπηθεί σωστά η μηχανή διενεργεί το στύψιμο σε μια ταχύτητα χαμηλότερη της προβλεπόμενης. Παρουσία υπερβολικής αστάθειας, το πλυντήριο διενεργεί την κατανομή αντί του στυψίματος. Για να ευνοηθεί καλύτερη κατανομή του φορτίου και της σωστής εξισορρόπησης συνιστάται η ανάμιξη ρούχων μεγάλων και μικρών διαστάσεων.

! Το πλυντήριο σχεδιάστηκε και κατασκευάστηκε σύμφωνα με τους διεθνείς κανόνες ασφαλείας. Αυτές οι προειδοποιήσεις παρέχονται για λόγους ασφαλείας και πρέπει να διαβάζονται προσεκτικά.

Γενική ασφάλεια

- Η συσκευή αυτή σχεδιάστηκε αποκλειστικά για οικιακή χρήση.
- Το πλυντήριο πρέπει να χρησιμοποιείται μόνο από ενήλικα άτομα και σύμφωνα με τις οδηγίες που αναφέρονται στο παρόν εγχειρίδιο.
- Μην αγγίζετε το μηχάνημα με γυμνά πόδια ή με τα χέρια ή τα πόδια βρεγμένα.
- Μην βγάζετε το βύσμα από την ηλεκτρική πρίζα τραβώντας το καλώδιο, αλλά να πιάνετε την πρίζα.
- Μην αγγίζετε το νερό αδειάσματος, αφού μπορεί να φτάσει σε υψηλές θερμοκρασίες.
- Μην ζορίζετε σε καμία περίπτωση την πόρτα: θα μπορούσε να χαλάσει ο μηχανισμός ασφαλείας που προστατεύει από τυχαία ανοίγματα.
- Σε περίπτωση βλάβης, σε καμία περίπτωση να μην επεμβαίνετε στους εσωτερικούς μηχανισμούς προσπαθώντας να την επισκευάσετε.
- Να ελέγχετε πάντα τα παιδιά να μην πλησιάζουν στο μηχάνημα σε λειτουργία.
- Αν πρέπει να μετατοπιστεί, συνεργαστείτε δύο ή τρία άτομα με τη μέγιστη προσοχή. Ποτέ μόνοι σας γιατί το μηχάνημα είναι πολύ βαρύ.
- Πριν εισάγετε τη μπουγάδα ελέγξτε αν ο κάδος είναι άδειος.

Διάθεση

- Διάθεση του υλικού συσκευασίας: τηρείτε τους τοπικούς κανονισμούς, ώστε οι συσκευασίες να μπορούν να επαναχρησιμοποιηθούν.
- Η ευρωπαϊκή οδηγία 2002/96/EK για τα Απόβλητα Ηλεκτρικού και Ηλεκτρονικού Εξοπλισμού, απαιτεί ότι οι παλαιές οικιακές ηλεκτρικές συσκευές δεν πρέπει να αποβάλλονται μαζί με τα υπόλοιπα απόβλητα του δημοτικού δικτύου. Οι παλαιές συσκευές πρέπει να συλλεχθούν χωριστά προκειμένου να βελτιστοποιηθούν η αποκατάσταση και η ανακύκλωση των υλικών που περιέχουν και με σκοπό τη μείωση των βλαβερών επιπτώσεων στην ανθρώπινη υγεία και το περιβάλλον. Το σύμβολο με το διεγραμμένο “δοχείο αποβλήτων” στο προϊόν υπενθυμίζει σε σας την υποχρέωσή σας, πως όταν επιθυμείτε να πετάξετε τη συσκευή, πρέπει να συλλεχθεί χωριστά. Οι καταναλωτές θα πρέπει να απευθύνονται στις τοπικές αρχές ή στα καταστήματα λιανικής για πληροφορίες που αφορούν τη σωστή διάθεση των παλαιών ηλεκτρικών συσκευών.

Εξοικονόμηση ενέργειας και σεβασμός του περιβάλλοντος

Εξοικονόμηση απορρυπαντικού, νερού, ενέργειας και χρόνου

- Για να μην ξοδεύετε πόρους θα πρέπει να χρησιμοποιείτε το πλυντήριο με το μέγιστο φορτίο. Ένα πλήρες φορτίο στη θέση δύο μισών σας εξοικονομεί μέχρι το 50% ενέργειας.
- Η πρόπλυση είναι αναγκαία μόνο τα ασπρόρουχα που είναι πολύ λερωμένα. Αποφεύγοντας τη εξοικονομείτε απορρυπαντικό, χρόνο, νερό και από 5 έως 15% ενέργειας.
- Περνώντας τους λεκέδες με ένα καθαριστικό ή αφήνοντάς τους σε μούλιασμα πριν το πλύσιμο, μειώνεται η αναγκαιότητα πλυσίματος σε υψηλές θερμοκρασίες. Ένα πρόγραμμα σε 60°C αντί των 90°C ή ένα σε 40°C αντί των 60°C, σας εξοικονομεί μέχρι 50% ενέργειας.
- Να δοσολογείτε καλά το απορρυπαντικό με βάση την σκληρότητα του νερού, το βαθμό βρωμιάς και την ποσότητα της μπουγάδας ώστε να αποσοβείτε σπατάλες και να προστατεύετε το περιβάλλον: ακόμα και τα βιοδιασπώμενα απορρυπαντικά περιέχουν στοιχεία που αλλοιώνουν την ισορροπία στην φύση. Επιπλέον να αποφεύγετε το μέγιστο δυνατόν το μαλακτικό.
- Πλένοντας αργά το απόγευμα μέχρι τις πρώτες πρωινές ώρες συμβάλλετε στην μείωση του απαιτούμενου ηλεκτρικού φορτίου από πλευράς επιχειρήσεων ηλεκτρικής ενέργειας. Η δυνατότητα “Καθυστερημένη εκκίνηση” βοηθάει πολύ στην οργάνωση των πλυσιμάτων με την έννοια αυτή.
- Αν η μπουγάδα πρέπει να στεγνώσει σε ένα στεγνωτήριο, επιλέξτε υψηλή ταχύτητα στύψιματος. Λίγο νερό στην μπουγάδα σας εξοικονομεί χρόνο και ενέργεια στο πρόγραμμα στεγνώματος.

Συντήρηση και φροντίδα

GR

Κλείσιμο παροχών νερού και ηλεκτρικού ρεύματος

- Κλείνετε την βρύση μετά από κάθε πλύσιμο. Έτσι περιορίζεται η φθορά της υδραυλικής εγκατάστασης του πλυντηρίου και αποσοβείται ο κίνδυνος απωλειών.
- Βγάλετε το βύσμα από το ρεύμα όταν καθαρίζετε το πλυντήριο και κατά τις εργασίες συντήρησης.

Καθαρισμός του πλυντηρίου

Το εξωτερικό μέρος και τα λαστιχένια μέρη μπορούν να καθαρίζονται με ένα πανί βρεγμένο με χλιαρό νερό και σαπούνι. Μη χρησιμοποιείτε διαλύτες ή αποξυστικά.

Φροντίδα της πόρτας και του κάδου

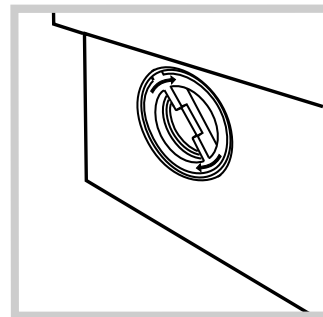
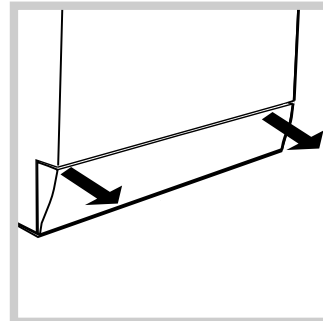
- Να αφήνετε πάντα μισόκλειστη την πόρτα για να μην παράγονται δυσοσμίες.

Καθαρισμός της αντλίας

Το πλυντήριο διαθέτει μια αντλία αυτοκαθαριζόμενη που δεν χρειάζεται συντήρηση. Μπορεί όμως να τύχει να πέσουν μικρά αντικείμενα (κέρματα, κουμπιά) στον προθάλαμο που προστατεύει την αντλία, που βρίσκεται στο κάτω μέρος αυτής.

! Βεβαιωθείτε ότι ο κύκλος πλυσίματος έχει τελειώσει και βγάλετε το βύσμα.

Για να ανακτήσετε ενδεχόμενα πεσμένα αντικείμενα στον προθάλαμο:



1. απομακρύνετε το ποδαράκι κάτω στο πρόσθιο πλευρό του πλυντηρίου τραβώντας με τα χέρια από τα πλαϊνά (βλέπε εικόνα).
2. ξεβιδώστε το καπάκι στρέφοντάς το αριστερόστροφα (βλέπε εικόνα): είναι φυσικό να βγαίνει λίγο νερό.
3. καθαρίστε επιμελώς το εσωτερικό.
4. ξαναβιδώστε το καπάκι.
5. ξαναμοντάρετε το ταμπλό όντας σίγουροι, πριν το σπρώξετε προς το μηχάνημα, ότι έχετε εισάγει τα γαντζάκια στις αντίστοιχες εσοχές.

Έλεγχος του σωλήνα τροφοδοσίας του νερού

Ελέγχετε το σωλήνα τροφοδοσίας τουλάχιστον μια φορά ετησίως. Αν παρουσιάζει σκασίματα και σχισμές αντικαθίσταται: κατά τα πλυσίματα οι ισχυρές πιέσεις θα μπορούσαν να προκαλέσουν ξαφνικά σπασίματα.

! Μη χρησιμοποιείτε ποτέ σωλήνες χρησιμοποιημένους.

Πως καθαρίζεται η θήκη απορρυπαντικού

Αποσυναρμολόγηση:

Εξασκήστε μια ελαφρά πίεση στο μεγάλο κουμπί στο πρόσθιο μέρος της θήκης απορρυπαντικού και τραβήξτε την προς τα πάνω (εικ. 1, 2).

Καθαρισμός:

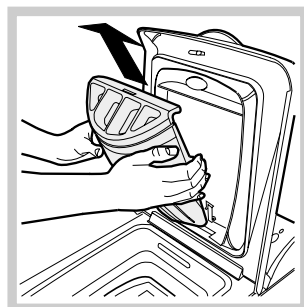
Κατόπιν, καθαρίστε τη θήκη κάτω από τη βρύση (εικ. 3) χρησιμοποιώντας μια οδοντόβουρτσα και, αφού τραβήξετε το ζευγάρι των σιφονίων που είναι βαλμένα στο επάνω μέρος των διαμερισμάτων 1 και 2 (εικ. 4), ελέγξτε αν τα ίδια είναι βουλωμένα και ξεπλύνετέ τα.

Επανασυναρμολόγηση:

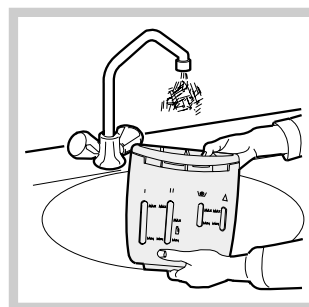
Μην ξεχνάτε να επανεισάγετε το ζευγάρι των σιφονίων στις αντίστοιχες έδρες και, τέλος, να ξαναβάλετε τη θήκη στην έδρα της εφαρμόζοντάς τη (εικ. 4, 2, 1).



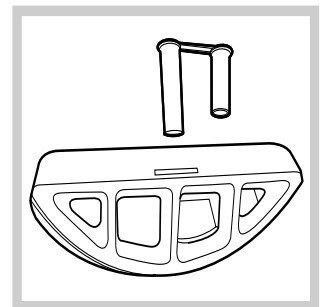
Εικ. 1



Εικ. 2



Εικ. 3



Εικ. 4

Μπορεί να συμβεί το πλυντήριο να μη λειτουργεί. Πριν τηλεφωνήσετε στην Υποστήριξη (βλέπε “Υποστήριξη”), ελέγξτε αν δεν πρόκειται για πρόβλημα που επιλύεται εύκολα με τη βοήθεια του ακόλουθου καταλόγου.

Ανωμαλίες:

Δυνατά αίτια / Λύση:

Το πλυντήριο δεν ανάβει.

- Το βύσμα δεν έχει εισαχθεί στην ηλεκτρική πρίζα ή τουλάχιστον όχι αρκετά για να κάνει επαφή.
- Στο σπίτι δεν υπάρχει ρεύμα.

Ο κύκλος πλυσίματος δεν ξεκινάει.

- Η πόρτα δεν είναι καλά κλειστή.
- Το κουμπί ΑΝΑΜΜΑ/ΣΒΗΣΙΜΟ δεν πατήθηκε.
- Το κουμπί ΕΚΚΙΝΗΣΗ/ΠΑΥΣΗ δεν πατήθηκε.
- Η βρύση του νερού δεν είναι ανοιχτή.
- Τέθηκε μια καθυστέρηση στον χρόνο εκκίνησης (βλέπε «Εξατομικεύσεις»).

Το πλυντήριο δεν φορτώνει νερό (αναβοσβήνει γρήγορα το ενδεικτικό φωτάκι της πρώτης φάσης πλύσης).

- Ο σωλήνας τροφοδοσίας του νερού δεν είναι συνδεδεμένος στον κρουνό.
- Ο σωλήνας είναι διπλωμένος.
- Η βρύση του νερού δεν είναι ανοιχτή.
- Στο σπίτι λείπει το νερό.
- Δεν υπάρχει αρκετή πίεση.
- Το κουμπί ΕΚΚΙΝΗΣΗ/ΠΑΥΣΗ δεν πατήθηκε.

Το πλυντήριο φορτώνει και αδειάζει νερό συνεχώς.

- Ο σωλήνας αδειάσματος δεν έχει εγκατασταθεί μεταξύ 65 και 100 cm από το έδαφος (βλέπε «Εγκατάσταση»).
- Το άκρο του σωλήνα αδειάσματος είναι βυθισμένο στο νερό (βλέπε “Εγκατάσταση”).
- Το επιτοίχιο άδειασμα δεν έχει απαέρωση.

Αν μετά από αυτούς τους ελέγχους το πρόβλημα δεν λύνεται, κλείστε τη βρύση του νερού, σβήστε το πλυντήριο και καλέστε την υποστήριξη. Αν η κατοικία βρίσκεται στους τελευταίους ορόφους ενός κτιρίου, μπορεί να διαπιστωθούν φαινόμενα σιφωνισμού, οπότε το πλυντήριο φορτώνει και αδειάζει νερό συνεχώς. Για την αντιμετώπιση του προβλήματος διατίθενται στο εμπόριο κατάλληλες βαλβίδες αντι-σιφωνισμού.

Το πλυντήριο δεν φορτώνει ή δεν στύβει.

- Το πρόγραμμα δεν προβλέπει το άδειασμα: με ορισμένα προγράμματα πρέπει να το εκκινήσετε χειρονακτικά.
- Είναι ενεργή η λειτουργία ΕΥΚΟΛΟ ΣΙΔΕΡΩΜΑ: για την ολοκλήρωση του προγράμματος πιέστε το κουμπί ΕΚΚΙΝΗΣΗ/ΠΑΥΣΗ («Εξατομικεύσεις»).
- Ο σωλήνας αδειάσματος είναι διπλωμένος (βλέπε «Εγκατάσταση»).
- Ο αγωγός εκκένωσης είναι βουλωμένος.

Το πλυντήριο δονείται πολύ κατά το στύψιμο.

- Ο κάδος, τη στιγμή της εγκατάστασης, δεν ξεμπλόκαρε σωστά (βλέπε “Εγκατάσταση”).
- Το πλυντήριο δεν είναι οριζοντιωμένο (βλέπε “Εγκατάσταση”).
- Το πλυντήριο είναι πολύ στενά μεταξύ τοίχου και επίπλων (βλέπε “Εγκατάσταση”).

Το πλυντήριο χάνει νερό.

- Ο σωλήνας τροφοδοσίας του νερού δεν είναι καλά βιδωμένος (βλέπε “Εγκατάσταση”).
- Η θήκη των απορρυπαντικών είναι βουλωμένη (για να την καθαρίσετε βλέπε “Συντήρηση και φροντίδα”).
- Ο σωλήνας αδειάσματος δεν έχει στερεωθεί καλά (βλέπε «Εγκατάσταση»).

Το ενδεικτικό φωτάκι ΕΚΚΙΝΗΣΗ/ΠΑΥΣΗ (πορτοκαλί) και τα ενδεικτικά φωτάκια αναβοσβήνουν γρήγορα.

- Σβήστε τη μηχανή και βγάλτε το βύσμα από την πρίζα, περιμένετε περίπου 1 λεπτό μετά ξαναβάζτε τη. Αν η ανωμαλία επιμένει, καλέστε την Υποστήριξη.

Σχηματίζεται πολύς αφρός.

- Το απορρυπαντικό δεν είναι ειδικό για πλυντήριο (πρέπει να υπάρχει η ένδειξη “για πλυντήριο”, “για πλύσιμο στο χέρι και στο πλυντήριο”, ή παρόμοια).
- Η δοσολογία υπήρξε υπερβολική.



Πριν επικοινωνήσετε με την Υποστήριξη:

- Ελέγξτε αν η ανωμαλία μπορείτε να την αντιμετωπίσετε μόνοι σας (βλέπε “Ανωμαλίες και λύσεις”);
- Επανεκκινήστε το πρόγραμμα για να ελέγξετε αν το πρόβλημα αντιμετωπίστηκε;
- Σε αρνητική περίπτωση, επικοινωνήστε με την εξουσιοδοτημένη Τεχνική Υποστήριξη στον τηλεφωνικό αριθμό που υπάρχει στο πιστοποιητικό εγγύησης.

! Μην καταφεύγετε ποτέ σε μη εξουσιοδοτημένους τεχνικούς.

Γνωστοποιήστε:

- το είδος της ανωμαλίας;
- το μοντέλο του μηχανήματος (Mod.);
- τον αριθμό σειράς (S/N).

Οι πληροφορίες αυτές βρίσκονται στην ταμπελίτσα που υπάρχει στο πίσω μέρος του πλυντηρίου.