

# Instructions for use

## WASHING MACHINE

GB

**GB**

English,1

**ES**

Español,13

**CIS**

Русский, 25

**I**

Italiano,37

**GR**

Ελληνικά, 49

**CZ**

Česky,61

**ARTXL 109**

### Contents

#### Installation, 2-3

Unpacking and levelling  
Connecting the electricity and water supplies  
The first wash cycle  
Technical data

#### Care and maintenance, 4

Cutting off the water or electricity supply  
Cleaning the washing machine  
Caring for your appliance door and drum  
Cleaning the pump  
Checking the water inlet hose  
How to clean the detergent dispenser

#### Precautions and tips, 5

General safety  
Disposal  
Saving energy and respecting the environment

#### Description of the washing machine and starting a wash cycle, 6-7

Control panel  
Indicator lights  
How to open and shut the drum  
Starting a wash cycle

#### Wash cycles, 8

Table of wash cycles

#### Personalisation, 9

Setting the temperature  
Setting the spin speed  
Functions

#### Detergents and laundry, 10

Detergent dispenser drawer  
Bleach cycle  
Preparing the laundry  
Garments requiring special care  
Load balancing system

#### Troubleshooting, 11

#### Service, 12

# Installation

GB

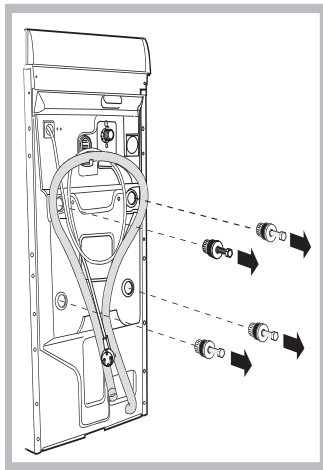
! Keep this instruction manual in a safe place for future reference. Should the appliance be sold, transferred or moved, make sure the instruction manual accompanies the washing machine to inform the new owner as to its operation and features.

! Read these instructions carefully: they contain vital information on installation, use and safety.

## Unpacking and levelling

### Unpacking

1. Unpack the washing machine.
2. Check whether the washing machine has been damaged during transport. If this is the case, do not install it and contact your retailer.



3. Remove the four protective screws and the rubber washer with the respective spacer, situated on the rear of the appliance (see figure).

4. Seal the gaps using the plastic plugs provided.

5. Keep all the parts: you will need them again if the washing machine needs to be moved to another location.

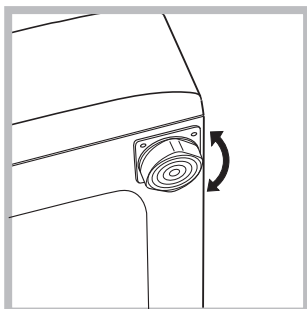
Warning: should the screws be re-used, make sure you fasten

the shorter ones at the top.

! Packaging materials are not children's toys.

### Levelling

1. Install the washing machine on a flat sturdy floor, without resting it up against walls, furniture cabinets or other.

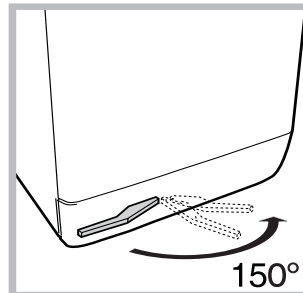


2. If the floor is not perfectly level, compensate for any unevenness by tightening or loosening the adjustable front feet (see figure); the angle of inclination, measured according to the worktop, must not exceed 2°.

Levelling your appliance correctly will provide it with stability and avoid any vibrations, noise and shifting during operation.

If it is placed on a fitted or loose carpet, adjust the feet in such a way as to allow enough room for ventilation beneath the washing machine.

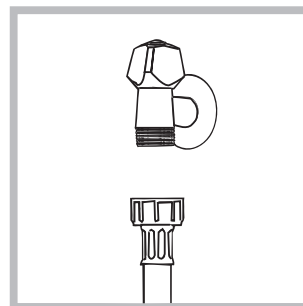
### Putting your appliance in place and moving it.



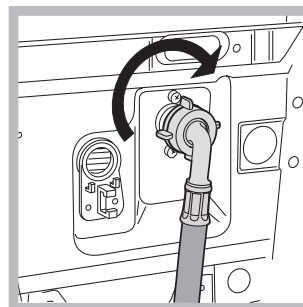
If your washing machine is equipped with a special set of retractable wheels you can easily move it. To lower the wheels and thus move the appliance effortlessly, just pull the lever, situated on the left-hand side beneath the base. Once the appliance is in the required position, put the lever back in place. The washing machine is now firmly in place (see figure).

## Electric and water connections

### Connecting the water inlet hose



1. Connect the supply pipe by screwing it to a cold water tap using a  $\frac{3}{4}$  gas threaded connection (see figure). Before performing the connection, allow the water to run freely until it is perfectly clear.



2. Connect the other end of the water inlet hose to the washing machine, screwing it onto the appliance's cold water inlet, situated on the top right-hand side on the rear of the appliance (see figure).

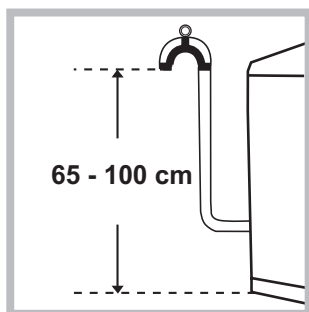
3. Make sure there are no kinks or bends in the hose.

! The water pressure at the tap must be within the values indicated in the Technical details table (on the next page).

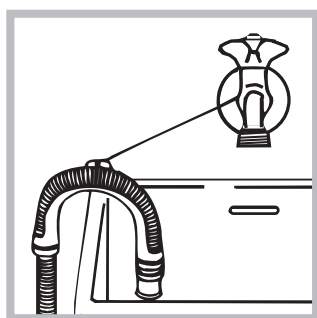
! If the water inlet hose is not long enough, contact a specialist store or an authorised serviceman.

! Never use hoses that have already been used.

## Connecting the drain hose



Connect the drain hose, without bending it, to a drainage duct or a wall drain located at a height between 65 and 100 cm from the floor;



alternatively, rest it on the side of a washbasin or bathtub, fastening the duct supplied to the tap (see *figure*). The free end of the hose should not be underwater.

! We advise against the use of hose extensions; if it is absolutely necessary, the extension must have the same diameter as the original hose and must not exceed 150 cm in length.

## Electrical connections

Before plugging the appliance into the electricity socket, make sure that:

- the socket is earthed and complies with all applicable laws;
- the socket is able to withstand the maximum power load of the appliance as indicated in the Technical data table (see *opposite*);
- the power supply voltage falls within the values indicated in the Technical data table (see *opposite*);
- the socket is compatible with the plug of the washing machine. If this is not the case, replace the socket or the plug.

! The washing machine must not be installed outdoors, even in covered areas. It is extremely dangerous to leave the appliance exposed to rain, storms and other weather conditions.

! When the washing machine has been installed, the electricity socket must be within easy reach.

! Do not use extension cords or multiple sockets.



! The cable should not be bent or compressed.

! The power supply cable must only be replaced by authorised technicians.

Warning! The company shall not be held responsible in the event that these regulations are not respected.

## The first wash cycle

Once the appliance has been installed, and before you use it for the first time, run a wash cycle with detergent and no laundry, using the wash cycle  $\langle 60^{\circ}\text{C} \rangle$ .

Technical data	
<b>Model</b>	ARTXL 109
<b>Dimensions</b>	width 40 cm height 85 cm depth 60 cm
<b>Capacity</b>	from 1 to 6 kg
<b>Electrical connections</b>	please refer to the technical data plate fixed to the machine
<b>Water connections</b>	maximum pressure 1 MPa (10 bar) minimum pressure 0.05 MPa (0.5 bar) drum capacity 42 litres
<b>Spin speed</b>	up to 1000 rotations per minute
<b>Test wash cycles in accordance with directives 1061/2010 1015/2010</b>	Programme $\langle 60^{\circ}\text{C} \rangle$ ; Cotton Standard 60°C. Programme $\langle 40^{\circ}\text{C} \rangle$ ; Cotton Standard 40°C.
 	This appliance conforms to the following EC Directives: - 2004/108/EC (Electromagnetic Compatibility) - 2006/95/EC (Low Voltage) - 2002/96/EC

# Care and maintenance

GB

## Cutting off the water and electricity supplies

- Turn off the water tap after every wash cycle. This will limit wear on the hydraulic system inside the washing machine and help to prevent leaks.
- Unplug the washing machine when cleaning it and during all maintenance work.

## Cleaning the washing machine

The outer parts and rubber components of the appliance can be cleaned using a soft cloth soaked in lukewarm soapy water. Do not use solvents or abrasives.

## Caring for the door and drum of your appliance

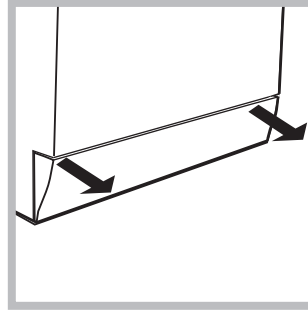
- Always leave the porthole door ajar in order to prevent unpleasant odours from forming.

## Cleaning the pump

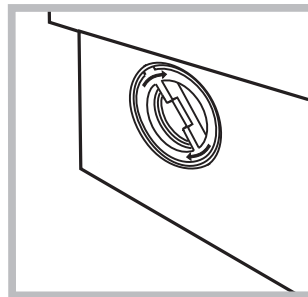
The washing machine is fitted with a self-cleaning pump which does not require any maintenance. Sometimes, small items (such as coins or buttons) may fall into the pre-chamber which protects the pump, situated in its bottom part.

! Make sure the wash cycle has finished and unplug the appliance.

To access the pre-chamber:



1. using a screwdriver, remove the cover panel on the lower front part of the washing machine (see figure);
2. unscrew the lid by rotating it anti-clockwise (see figure): a little water may trickle out. This is perfectly normal;



3. clean the inside thoroughly;
4. screw the lid back on;
5. reposition the panel, making sure the hooks are securely in place before you push it onto the appliance.

## Checking the water inlet hose

Check the inlet hose at least once a year. If there are any cracks, it should be replaced immediately: during the wash cycles, water pressure is very strong and a cracked hose could easily split open.

! Never use second-hand hoses.

## How to clean the detergent dispenser

### Disassembly:

Press lightly on the large button on the front of the detergent dispenser and pull it upwards (fig. 1).

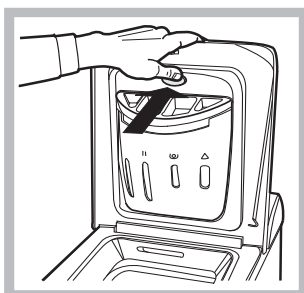


Fig. 1

### Cleaning:

Then clean the dispenser under a tap (fig. 3) using an old toothbrush and, once the pair of siphons inserted in the top of compartments 1 and 2 (fig. 4) have been pulled out, check whether the same are not clogged and then rinse them.

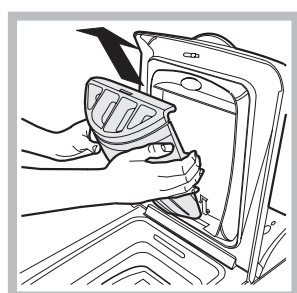


Fig. 2

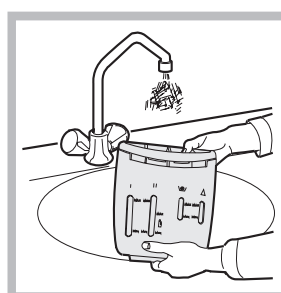


Fig. 3

### Reassembly:

Do not forget to reinsert the pair of siphons into the special housings and then to replace the dispenser into its seat, clicking it into place (fig. 4, 2 and 1).

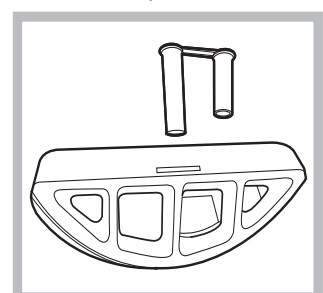


Fig. 4

# Precautions and tips

! This washing machine was designed and constructed in accordance with international safety regulations. The following information is provided for safety reasons and must therefore be read carefully.

## General safety

- This appliance was designed for domestic use only.
- This appliance can be used by children aged from 8 years and above and persons with reduced physical, sensory or mental capabilities or lack of experience and knowledge if they have been given supervision or instruction concerning use of the appliance in a safe way and understand the hazards involved. Children shall not play with the appliance. Cleaning and user maintenance shall not be made by children without supervision.
- Do not touch the machine when barefoot or with wet or damp hands or feet.
- Do not pull on the power supply cable when unplugging the appliance from the electricity socket. Hold the plug and pull.
- Do not touch the drained water as it may reach extremely high temperatures.
- Never force the porthole door. This could damage the safety lock mechanism designed to prevent accidental opening.
- If the appliance breaks down, do not under any circumstances access the internal mechanisms in an attempt to repair it yourself.
- Always keep children well away from the appliance while it is operating.
- If the appliance has to be moved, work in a group of two or three people and handle it with the utmost care. Never try to do this alone, because the appliance is very heavy.
- Before loading laundry into the washing machine, make sure the drum is empty.

## Disposal

- Disposing of the packaging materials: observe local regulations so that the packaging may be re-used.
- The European Directive 2002/96/EC on Waste Electrical and Electronic Equipment, requires that old household electrical appliances must not be disposed of in the normal unsorted municipal waste stream. Old appliances must be collected separately in order to optimise the recovery and recycling of the materials they contain and reduce the impact on human health and the environment. The crossed out “wheeled bin” symbol on the product reminds you of your obligation, that when you dispose of the appliance it must be separately collected.

Consumers should contact their local authority or retailer for information concerning the correct disposal of their old appliance.

## Saving energy and respecting the environment

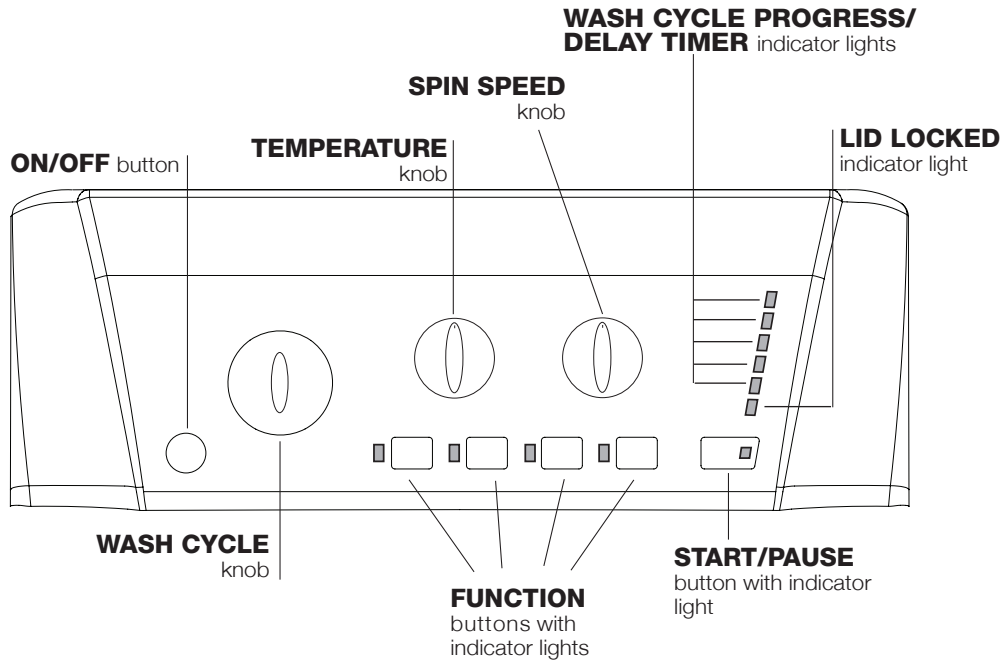
### Saving on detergent, water, energy and time

- To avoid wasting resources, the washing machine should be used with a full load. A full load instead of two half loads allows you to save up to 50% on energy.
- The pre-wash cycle is only necessary on extremely soiled garments. Avoiding it will save on detergent, time, water and between 5 and 15% energy.
- Treating stains with a stain remover or leaving them to soak before washing will cut down the need to wash them at high temperatures. A programme at 60°C instead of 90°C or one at 40°C instead of 60°C will save up to 50% on energy.
- Use the correct quantity of detergent depending on the water hardness, how soiled the garments are and the amount of laundry you have, to avoid wastage and to protect the environment: despite being biodegradable, detergents do contain ingredients that alter the natural balance of the environment. In addition, avoid using fabric softener as much as possible.
- If you use your washing machine from late in the afternoon until the early hours of the morning, you will help reduce the electricity board's peak load. The “Delay Timer” option helps to organise your wash cycles accordingly.
- If your laundry has to be dried in a tumble dryer, select a high spin speed. Having the least water possible in your laundry will save you time and energy in the drying process.

# Description of the washing machine and starting a wash cycle

## Control panel

GB



**ON/OFF button:** switches the washing machine on and off.

**WASH CYCLE knob:** programmes the wash cycles. During the wash cycle, the knob does not move.

**FUNCTION buttons with indicator light:** used to select the available functions. The indicator light corresponding to the selected function will remain lit.


**TEMPERATURE knob:** sets the temperature or the cold wash cycle (see “Personalisation”).

**SPIN SPEED knob:** sets the spin speed or exclude the spin cycle completely (see “Personalisation”).

**WASH CYCLE PROGRESS/DELAY TIMER indicator lights:** used to monitor the progress of the wash cycle. The illuminated indicator light shows which phase is in progress. If the Delay Timer function has been set, the time remaining until the wash cycle starts will be indicated (see next page).

**LID LOCKED indicator light:** indicates whether the door may be opened or not (see next page).

**START/PAUSE button with indicator light:** starts or temporarily interrupts the wash cycles.

**N.B.** To pause the wash cycle in progress, press this button; the corresponding indicator light will flash orange, while the indicator light for the current wash cycle phase will remain lit in a fixed manner. If the LID LOCKED  indicator light is switched off, the door may be opened. To start the wash cycle from the point at which it was interrupted, press this button again.

### Standby mode

This washing machine, in compliance with new energy saving regulations, is fitted with an automatic standby system which is enabled after about 30 minutes if no activity is detected. Press the ON-OFF button briefly and wait for the machine to start up again.

Consumption in off-mode: 0,5 W

Consumption in Left-on: 0,5 W

### Indicator lights

The indicator lights provide important information. This is what they can tell you:

#### Delayed start

If the DELAY TIMER function has been activated (see “Personalisation”), after the wash cycle has been started the indicator light corresponding to the selected delay period will begin to flash:



As time passes, the remaining delay will be displayed and the corresponding indicator light will flash:









Once the set delay has elapsed, the flashing indicator light will switch off and the selected wash cycle will begin.

#### Wash cycle phase indicator lights

Once the desired wash cycle has been selected and has begun, the indicator lights switch on one by one to indicate which phase of the cycle is currently in progress.



Wash		
Rinse		
Spin		
Drain		
End of wash cycle	END	

### Function buttons and corresponding indicator lights

When a function is selected, the corresponding indicator light will illuminate.

If the selected function is not compatible with the programmed wash cycle, the corresponding indicator light will flash and the function will not be activated.

If a function which is incompatible with another function selected previously, only the most recent selection will remain active.

### Lid locked indicator light

If this indicator light is on, the appliance door is locked to prevent it from being opened accidentally; to avoid any damage, wait for the indicator light to switch off (it will take about three minutes) before you open the appliance door.

**N.B.** If the DELAY TIMER function is activated, the door cannot be opened; pause the machine by pressing the START/PAUSE button if you wish to open it.

! If the START/PAUSE indicator light (orange) flashes rapidly at the same time as the function indicator light, this indicates a problem has occurred (see "Troubleshooting").

## How to open and to close the drum

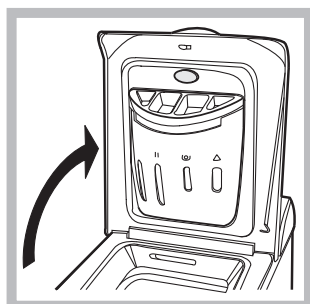


Fig. 1

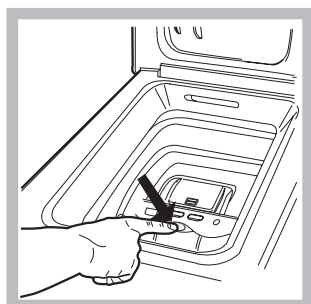


Fig. 2



Fig. 3

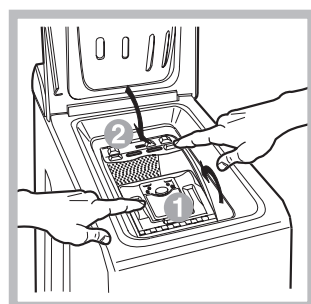


Fig. 4

### A) Opening (Fig. 1):

Lift the external lid and open it completely.

### B) Opening the drum (Soft opening):

With one finger, push the button indicated in fig. 2 and the drum will open delicately.

### C) Loading the washing machine (Fig. 3).

### D) Shutting (Fig. 4):

- close the drum fully by first shutting the front door followed by the rear one;
- then ensure the hooks on the front door are perfectly housed within the seat of the rear door;
- after the hooks have clicked into position, press both doors lightly downwards to make sure they do not come loose;
- finally shut the external lid.

## Starting a wash cycle

1. Turn the washing machine on by pressing the ON/OFF button. All the indicator lights will turn on for a few seconds, then only the indicator lights relative to the selected programme settings will remain lit and the START/PAUSE indicator light will flash.

2. Load the laundry, close the door and the lid.

3. Set the WASH CYCLE knob to the desired programme.

4. Set the washing temperature (see "Personalisation").

5. Set the spin speed (see "Personalisation").

6. Measure out the detergent and washing additives (see "Detergents and laundry").

7. Select the desired functions.

8. Start the wash cycle by pressing the START/PAUSE button and the corresponding indicator light will remain lit in a fixed manner, in green.






To cancel the set wash cycle, pause the machine by pressing the START/PAUSE button and select a new cycle.

9. At the end of the wash cycle the END indicator light will switch on. The LID LOCKED indicator light will switch off, indicating that the door may be opened. Take out your laundry and leave the appliance door ajar to make sure the drum dries completely.

Switch the washing machine off by pressing the ON/OFF button.

# Wash cycles


## Table of wash cycles

Wash cycles	Description of the wash cycle	Max. temp. (°C)	Max. speed (rpm)	Detergents				Max. load (kg)	Residual dampness%	Energy consumptionkWh	Total water it	Cycle duration
				Prewash	Bleach	Wash	Fabric softener					
<b>1</b>	<b>Cotton + Prewash:</b> extremely soiled whites.	90°	1000	●	-	●	●	6	62	1,92	67	160'
	<b>Cotton Standard 60° (1):</b> heavily soiled whites and resistant colours.	60° (Max. 90°)	1000	-	-	●	●	6	62	1,04	50,0	165'
	<b>Cotton Standard 40° (2):</b> lightly soiled resistant and delicate colours.	40°	1000	-	-	●	●	6	62	1,09	92	160'
<b>4</b>	<b>Cotton Standard 20°:</b> lightly soiled resistant and delicate colours.	20°	1000	-	-	●	●	6	-	-	-	180'
<b>5</b>	<b>Synthetics:</b> heavily soiled resistant colours.	60°	800	-	-	●	●	3	44	0,85	39	110'
<b>5</b>	<b>Synthetics (3):</b> lightly soiled resistant colours.	40°	800	-	-	●	●	3	44	0,53	39	100'
<b>6</b>	<b>Mix 30':</b> to refresh lightly soiled garments quickly (not suitable for wool, silk and clothes which require washing by hand).	30°	800	-	-	●	●	3	71	0,25	33	30'
<b>7</b>	<b>Mix 15':</b> to refresh lightly soiled garments quickly (not suitable for wool, silk and clothes which require washing by hand).	30°	800	-	-	●	●	1,5	71	0,08	29	15'
<b>8</b>	<b>Sanitizing cycle:</b> extremely soiled whites.	90°	1000	-	●	●	●	6	-	-	-	180'
<b>9</b>	<b>Goodnigt cycle:</b> lightly soiled delicate colours.	40°	800	-	-	●	●	4	-	-	-	280'
<b>10</b>	<b>Baby cycle:</b> heavily soiled delicate colours.	40°	800	-	-	●	●	2	-	-	-	120'
<b>11</b>	<b>Shirts</b>	40°	600	-	-	●	●	2	-	-	-	80'
<b>12</b>	<b>Silk/Curtains:</b> for garments in silk and viscose, lingerie.	30°	0	-	-	●	●	1	-	-	-	55'
<b>13</b>	<b>Wool:</b> for wool, cashmere, etc.	40°	800	-	-	●	●	1	-	-	-	65'
	Rinse	-	1000	-	-	-	●	6	-	-	-	36'
	Spin	-	1000	-	-	-	-	6	-	-	-	16'
	Drain	-	0	-	-	-	-	6	-	-	-	2'

The length of cycle shown on the display or in this booklet is an estimation only and is calculated assuming standard working conditions. The actual duration can vary according to factors such as water temperature and pressure, the amount of detergent used, the amount and type of load inserted, load balancing and any wash options selected.

**1) Test wash cycle in compliance with directive 1061/2010: set wash cycle  with a temperature of 60°C.**

This cycle is designed for cotton loads with a normal soil level and is the most efficient in terms of both electricity and water consumption; it should be used for garments which can be washed at 60°C. The actual washing temperature may differ from the indicated value.

**2) Test wash cycle in compliance with directive 1061/2010: set wash cycle  with a temperature of 40°C.**

This cycle is designed for cotton loads with a normal soil level and is the most efficient in terms of both electricity and water consumption; it should be used for garments which can be washed at 40°C. The actual washing temperature may differ from the indicated value.

For all Test Institutes:

2) Long wash cycle for cottons: set wash cycle  with a temperature of 40°C.

3) Long wash cycle for synthetics: set wash cycle 5 with a temperature of 40°C.

**Cotton Standard 20°** (wash cycle 4). Ideal for heavily soiled cotton loads. The effective performance levels achieved at cold temperatures, which are comparable to washing at 40°, are guaranteed by a mechanical action which operates at varying speed, with repeated and frequent peaks.

**Mix 30'** (wash cycle 6) this wash cycle was designed to wash lightly soiled garments quickly: it lasts just 30 minutes and therefore saves both energy and time. By selecting this wash cycle (6 at 30°C), it is possible to wash different fabrics together (except for wool and silk items), with a maximum load of 3 kg.

**Mix 15'** (wash cycle 7) this wash cycle was designed to wash lightly soiled garments quickly: it lasts just 15 minutes and therefore saves both energy and time. By selecting this wash cycle (7 at 30°C), it is possible to wash different fabrics together (except for wool and silk items), with a maximum load of 1.5 kg.

**Sanitizing cycle** (wash cycle 8). A high-temperature hygienic wash cycle (over 60°C) which requires the use of bleach. Pour the bleach, the detergent and the additives into the relevant compartments (see paragraph entitled "Detergent dispenser drawer").

**Goodnigt cycle** (wash cycle 9). This is a silent cycle which can be run at night, when the electricity prices are lower. The wash cycle is designed for cottons and synthetics. At the end of the cycle the machine stops while there is still water in the drum; to spin and drain the laundry press the START/PAUSE button; alternatively the machine will perform the spin cycle and drain the water automatically after 8 hours.

**Baby cycle** (wash cycle 10). This wash cycle can be used to remove the soiling typically caused by babies, while ensuring that all detergent is removed from nappies in order to prevent the delicate skin of babies from suffering allergies. The cycle has been designed to reduce the amount of bacteria by using a greater quantity of water and optimising the effect of special disinfecting additives added to the detergent.

At the end of the wash cycle, the machine will slowly rotate the drum to prevent the formation of creases; to end the cycle press the START/PAUSE button.



# Personalisation

## Setting the temperature

Turn the TEMPERATURE knob to set the wash temperature (see *Table of wash cycles*).

The temperature may be lowered, or even set to a cold wash (❄️).

The washing machine will automatically prevent you from selecting a temperature which is higher than the maximum value set for each wash cycle.

! Exception: if the  programme is selected, the temperature can be increased up to a value of 90°C.

## Setting the spin speed

Turn the SPIN SPEED knob to set the spin speed for the selected wash cycle.

The maximum spin speeds available for each wash cycle are as follows:

Wash cycles	Maximum spin speed
Cottons	1000 rpm
Synthetics	800 rpm
Wool	800 rpm
Silk	drain only

The spin speed may be lowered, or the spin cycle can be excluded altogether by selecting the symbol .

The washing machine will automatically prevent you from selecting a spin speed which is higher than the maximum speed set for each wash cycle.

## Functions

The various wash functions available with this washing machine will help to achieve the desired results, every time.

To activate the functions:

1. Press the button corresponding to the desired function;
2. the function is enabled when the corresponding indicator light is illuminated.

Note: If the indicator light flashes rapidly, this signals that this particular function may not be selected in conjunction with the selected wash cycle.

### Delay timer

This timer delays the start time of the wash cycle by up to 12 hours.

Press the button repeatedly until the indicator light corresponding to the desired delay time switches on. The fifth time the button is pressed, the function will be disabled.

**N.B.** Once you have pressed the START/PAUSE button, the delay time may only be decreased if you wish to modify it.

! This option is enabled with all programmes.

### Easy iron

By selecting this function, the wash and spin cycles will be modified in order to reduce the formation of creases. At the end of the cycle the washing machine will perform slow rotations of the drum.

For the 11 wash cycle, the machine will end the cycle while the laundry is soaking, the EASY IRON and START/PAUSE indicator lights will flash (orange) and the RINSE phase will remain lit in a fixed manner. To drain the water so that the laundry may be removed, press the START/PAUSE button or the EASY IRON button.

! This function may not be used in conjunction with wash cycles 6, 7, 8, 9, 10, 13, , , .

### Extra rinse

By selecting this function, the efficiency of the rinse is increased and optimal detergent removal is guaranteed. It is particularly useful for sensitive skin.

! This function may not be used in conjunction with wash cycles 6, 7, , .

### Super Wash

Because a greater quantity of water is used in the initial phase of the cycle, and because of the increased cycle duration, this function offers a high-performance wash.

! This function may not be used in conjunction with wash cycles 4, 6, 7, 8, 12, 13, , , .

# Detergents and laundry

GB

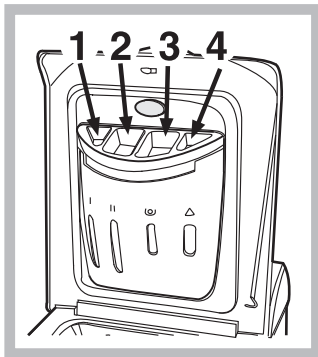
## Detergent dispenser drawer

Good washing results also depend on the correct dose of detergent: adding too much detergent won't necessarily make for a more efficient wash, and may in fact cause build up on the interior of your appliance and even pollute the environment.

! Use powder detergent for white cotton garments, for pre-washing, and for washing at temperatures over 60°C.

! Follow the instructions given on the detergent packaging.

! Do not use hand washing detergents because these create too much foam.



Open up the detergent dispenser and pour in the detergent and fabric softener, as follows.

### compartment 1: Detergent for pre-wash

### compartment 2: Detergent for the wash cycle (powder or liquid)

It is recommended that you place liquid detergent directly into the compartment using the appropriate dosing cup.

### compartment 3: Additives (softener, etc.)

When pouring the softener in compartment 3, avoid exceeding the "max" level indicated.

The softener is added automatically into the machine during the last wash. At the end of the wash programme, some water will be left in compartment 3. This is used for the inlet of denser fabric softeners into the machine, i.e. to dilute the more concentrated softeners. Should more than a normal amount of water remain in compartment 3, this means the emptying device is blocked. For cleaning instructions, see "Care and maintenance".

### compartment 4: Bleach

## Bleach cycle

Bleaching may only be performed in conjunction with wash cycles 8.

Pour the bleach into compartment 4; pour the detergent and softener into the corresponding compartments, then select one of the abovementioned wash cycles.

This option is recommended only for very soiled cotton garments.

## Preparing the laundry

- Divide the laundry according to:
  - the type of fabric/the symbol on the label
  - the colours: separate coloured garments from whites.
- Empty all garment pockets and check the buttons.
- Do not exceed the listed values, which refer to the weight of the laundry when dry: see "Table of wash cycles".

### How much does your laundry weigh?

- 1 sheet 400-500 g
- 1 pillow case 150-200 g
- 1 tablecloth 400-500 g
- 1 bathrobe 900-1200 g
- 1 towel 150-250 g

## Garments requiring special care

**Shirts:** use special wash cycle 11 to wash shirts in various fabrics and colours.

It guarantees maximum care is taken of the garments and minimises the formation of creases.

**Silk:** use special wash cycle 12 to wash all silk garments. We recommend the use of special detergent which has been designed to wash delicate clothes.

**Curtains:** fold curtains and place them in a pillow case or mesh bag. Use wash cycle 12.

**Wool:** The wool wash cycle on this Hotpoint-Ariston machine has been tested and approved by The Woolmark Company for washing wool garments labelled as hand washable provided that the garments are washed according to the instructions on the garment label and those issued by the manufacturer of this washing machine. Hotpoint-Ariston is the first washing machine brand to be approved by The Woolmark Company for Apparel Care- Platinum for its washing performance and consumption of energy and water.



## Load balancing system

Before every spin cycle, to avoid excessive vibrations and to distribute the load in a uniform manner, the drum rotates continuously at a speed which is slightly greater than the washing rotation speed. If, after several attempts, the load is not balanced correctly, the machine spins at a reduced spin speed. If the load is excessively unbalanced, the washing machine performs the distribution process instead of spinning. To encourage improved load distribution and balance, we recommend small and large garments are mixed in the load.

# Troubleshooting

Your washing machine could fail to work. Before contacting the Technical Assistance Centre (see "Assistance"), make sure that the problem cannot be not solved easily using the following list.

## Problem:

## Possible causes / Solutions:

**The washing machine does not switch on.**

- The appliance is not plugged into the socket fully, or is not making contact.
- There is no power in the house.

**The wash cycle does not start.**

- The appliance Lid is not shut properly.
- The ON/OFF button has not been pressed.
- The START/PAUSE button has not been pressed.
- The water tap has not been opened.
- A delayed start has been set (see "Personalisation").

**The washing machine does not take in water (the indicator light for the first wash cycle stage flashes rapidly).**

- The water inlet hose is not connected to the tap.
- The hose is bent.
- The water tap has not been opened.
- There is no water supply in the house.
- The pressure is too low.
- The START/PAUSE button has not been pressed.

**The washing machine continuously takes in and drains water.**

- The drain hose is not fitted at a height between 65 and 100 cm from the floor (see "Installation").
- The free end of the hose is under water (see "Installation").
- The wall drainage system is not fitted with a breather pipe.

If the problem persists even after these checks, turn off the water tap, switch the appliance off and contact the Assistance Service. If the dwelling is on one of the upper floors of a building, there may be problems relating to water drainage, causing the washing machine to fill with water and drain continuously. Special anti-draining valves are available in shops and help to avoid this inconvenience.

**The washing machine does not drain or spin.**

- The wash cycle does not include draining: some wash cycles require the drain phase to be started manually.
- The EASY IRON function has been activated: To complete the wash cycle, press the START/PAUSE button ("Personalisation").
- The drain hose is bent (see "Installation").
- The drainage duct is clogged.

**The washing machine vibrates a lot during the spin cycle.**

- The drum was not unlocked correctly during installation (see "Installation").
- The washing machine is not level (see "Installation").
- The washing machine is trapped between cabinets and walls (see "Installation").

**The washing machine leaks.**

- The water inlet hose is not screwed on properly (see "Installation").
- The detergent dispenser drawer is blocked (for cleaning instructions, see "Care and maintenance").
- The drain hose is not fixed properly (see "Installation").

**The START/PAUSE indicator light (orange) and the function indicator lights flash rapidly.**

- Switch off the machine and unplug it, wait for approximately 1 minute and then switch it back on again.  
If the problem persists, contact the Technical Assistance Service.

**There is too much foam.**

- The detergent is not suitable for machine washing (it should display the text "for washing machines" or "hand and machine wash", or the like).
- Too much detergent was used.

# Service

---

GB

## **Before calling for Assistance:**

- Check whether you can solve the problem alone (see “*Troubleshooting*”);
- Restart the programme to check whether the problem has been solved;
- If this is not the case, contact an authorised Technical Assistance Centre using the telephone number provided on the guarantee certificate.

! Always request the assistance of authorised technicians.

## **Have the following information to hand:**

- the type of problem;
- the appliance model (Mod.);
- the serial number (S/N).

This information can be found on the data plate situated on the rear of the washing machine.

ES

Español

ARTXL 109

## Sumario

### Instalación, 14-15

Desembalaje y nivelación  
Conexiones hidráulicas y eléctricas  
Primer ciclo de lavado  
Datos técnicos

### Mantenimiento y cuidados, 16

Interrumpir el agua y la corriente eléctrica  
Limpiar la lavadora  
Cuidar la puerta y el cesto  
Limpiar la bomba  
Controlar el tubo de alimentación de agua  
Cómo limpiar la cubeta de detergente

### Precauciones y consejos, 17

Seguridad general  
Eliminaciones  
Ahorrar y respetar el ambiente

### Descripción de la lavadora y comienzo de un programa, 18-19

Panel de control  
Pilotos  
Cómo abrir y cerrar el cesto  
Poner en marcha un programa

### Programas, 20

Tabla de programas

### Personalizaciones, 21

Seleccionar la temperatura  
Seleccionar el centrifugado  
Funciones

### Detergentes y ropa, 22

Contenedor de detergentes  
Ciclo de blanqueo  
Preparar la ropa  
Prendas especiales  
Sistema de equilibrado de la carga

### Anomalías y soluciones, 23

### Asistencia, 24

ES



# Instalación

ES

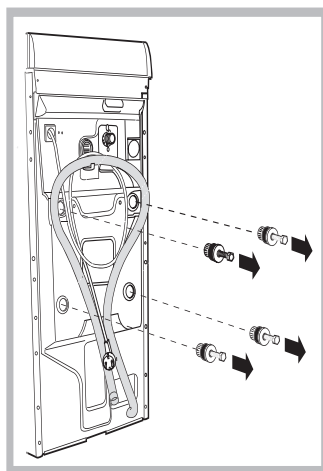
! Es importante conservar este manual para poder consultarlo en cualquier momento. En caso de venta, de cesión o de traslado, verifique que permanezca junto con la lavadora para informar al nuevo propietario sobre el funcionamiento y brindar las correspondientes advertencias.

! Lea atentamente las instrucciones: ellas contienen importante información sobre la instalación, el uso y la seguridad.

## Desembalaje y nivelación

### Desembalaje

1. Desembale la lavadora.
2. Controle que la lavadora no haya sufrido daños durante el transporte. Si estuviera dañada no la conecte y llame al revendedor.



3. Quite los cuatro tornillos de protección para el transporte y la arandela de goma con el correspondiente distanciador, ubicados en la parte posterior (ver la figura)

4. Cierre los orificios con los tapones de plástico suministrados con el aparato.

5. Conserve todas las piezas: cuando la lavadora deba ser transportada nuevamente,

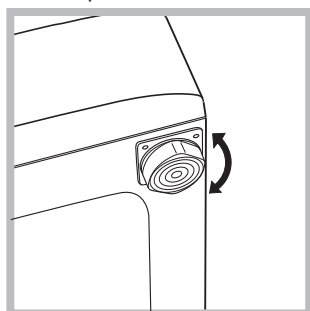
deberán volver a colocarse.

Atención: si vuelve a utilizar los tornillos más cortos, se deben colocar arriba.

! Los embalajes no son juguetes para los niños.

### Nivelación

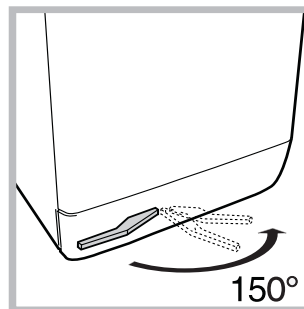
1. Instale la lavadora sobre un piso plano y rígido, sin apoyarla en las paredes, muebles ni en ningún otro aparato.



2. Si el piso no está perfectamente horizontal, compense las irregularidades desenroscando o enroscando los pies delanteros (véase la figura); el ángulo de inclinación medido sobre la superficie de trabajo, no debe superar los 2°.

Una cuidadosa nivelación brinda estabilidad a la máquina y evita vibraciones, ruidos y desplazamientos durante el funcionamiento. Cuando se instala sobre moquetas o alfombras, regule los pies para conservar debajo de la lavadora un espacio suficiente para la ventilación.

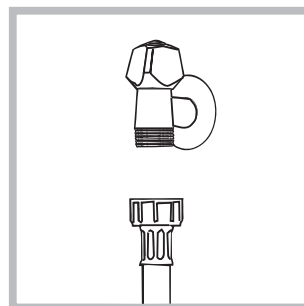
### Instalación, desplazamientos.



Si su lavadora está dotada de un carro especial con ruedas retráctiles, se facilitará su desplazamiento. Para hacer descender este carro y poder moverla sin esfuerzo, es necesario tirar la palanca, situada abajo a la izquierda, debajo del zócalo. Finalizado el desplazamiento es necesario devolverla a su posición inicial. A partir de ese momento, la máquina está sólidamente colocada.

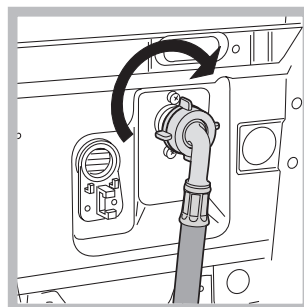
## Conexiones hidráulicas y eléctricas

### Conexión del tubo de alimentación de agua



1. Conectar el tubo de tubo enroscándolo a un grifo de agua fría con la boca roscada de 3/4 gas (ver la figura).

Antes de conectarlo, haga correr el agua hasta que esté limpia.



2. Conecte el tubo de alimentación a la lavadora enroscándolo en la toma de agua correspondiente ubicada en la parte posterior arriba y a la derecha (véase la figura).

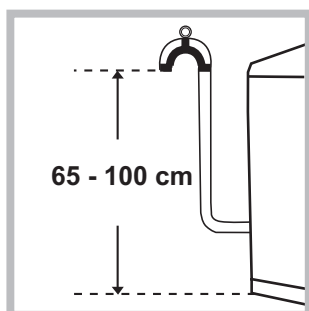
3. Verifique que el tubo no tenga pliegues ni estrangulaciones.

! La presión de agua del grifo debe estar comprendida dentro de los valores contenidos en la tabla de Datos técnicos (ver la página del costado).

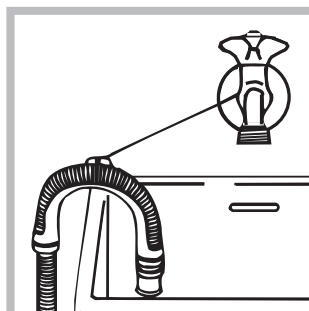
! Si la longitud del tubo de alimentación no fuera suficiente, diríjase a una tienda especializada o a un técnico autorizado.

! No utilice nunca tubos ya usados.

## Conexión del tubo de descarga



Conecte el tubo de descarga, sin plegarlo, a una tubería de descarga o a una descarga de pared colocadas a una altura del piso entre 65 y 100 cm;



o apóyelo en el borde de un lavamanos o de una bañera, uniendo la guía suministrada con el aparato, al grifo (ver la figura). El extremo libre del tubo de descarga no debe permanecer sumergido en el agua.

! No se aconseja utilizar tubos de prolongación, si fuera indispensable hacerlo, la prolongación debe tener el mismo diámetro del tubo original y no superar los 150 cm.

## Conexión eléctrica

Antes de enchufar el aparato, verifique que:

- la toma tenga la conexión a tierra y haya sido hecha según las normas legales;
- la toma sea capaz de soportar la carga máxima de potencia de la máquina indicada en la tabla de Datos técnicos (ver al costado);
- la tensión de alimentación esté comprendida dentro de los valores indicados en la tabla de Datos técnicos (ver al costado);
- la toma sea compatible con el enchufe de la lavadora. Si no es así, sustituya la toma o el enchufe.

! La lavadora no debe ser instalada al aire libre, ni siquiera si el lugar está reparado, ya que es muy peligroso dejarla expuesta a la lluvia o a las tormentas.

! Una vez instalada la lavadora, la toma de corriente debe ser fácilmente accesible.

! No utilice prolongaciones ni conexiones múltiples.

! El cable no debe estar plegado ni sufrir compresiones.

! El cable de alimentación debe ser sustituido sólo por técnicos autorizados.

¡Atención! La empresa fabricante declina toda responsabilidad en caso de que estas normas no sean respetadas.

## Primer ciclo de lavado

Después de la instalación y antes del uso, realice un ciclo de lavado con detergente y sin ropa, seleccionando el programa  $\overline{60^{\circ}\text{C}}$  (60°C).

### Datos técnicos

<b>Modelo</b>	ARTXL 109
<b>Dimensiones</b>	ancho 40 cm altura 85 cm profundidad 60 cm
<b>Capacidad</b>	de 1 a 6 kg
<b>Conexiones eléctricas</b>	ver la placa de características técnicas aplicada en la máquina
<b>Conexiones hídricas</b>	presión máxima 1 MPa (10 bar) presión mínima 0,05 MPa (0,5 bar) capacidad del cesto 42 litros
<b>Velocidad de centrifugado</b>	máxima 1000 r.p.m.
<b>Programas de control según las directivas 1061/2010 1015/2010</b>	Programa $\overline{60^{\circ}\text{C}}$ ; Algodón Standard 60°C. Programa $\overline{40^{\circ}\text{C}}$ ; Algodón Standard 40°C.



Esta máquina cumple con lo establecido por las siguientes Directivas de la Comunidad:

- 2004/108/CE (Compatibilidad Electromagnética)
- 2002/96/CE
- 2006/95/CE (Baja Tensión)

# Mantenimiento y cuidados

ES

## Interrumpir el agua y la corriente eléctrica

- Cierre el grifo de agua después de cada lavado. De este modo se limita el desgaste de la instalación hidráulica de la lavadora y se elimina el peligro de pérdidas.
- Desenchufe la máquina cuando la debe limpiar y durante los trabajos de mantenimiento.

## Limpiar la lavadora

La parte externa y las partes de goma se pueden limpiar con un paño embebido en agua tibia y jabón. No use solventes ni productos abrasivos.

## Cuidar la puerta y el cesto

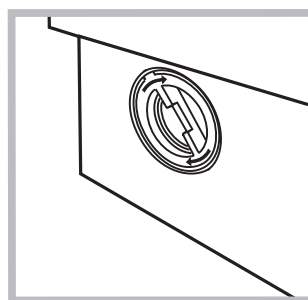
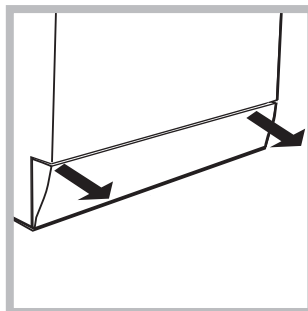
- Deje siempre semicerrada la puerta para evitar que se formen malos olores.

## Limpiar la bomba

La lavadora posee una bomba autolimpiante que no necesita mantenimiento. Pero puede suceder que objetos pequeños (monedas, botones) caigan en la precámara que protege la bomba, situada en la parte inferior de la misma.

! Verifique que el ciclo de lavado haya terminado y desenchufe la máquina.

Para acceder a la precámara:



1. quite el panel que cubre la parte delantera de la lavadora con la ayuda de un destornillador (ver la figura);
2. desenrosque la tapa girándola en sentido antihorario (ver la figura); es normal que se vuelque un poco de agua;
3. limpie con cuidado el interior;
4. vuelva a enroscar la tapa;
5. vuelva a montar el panel verificando, antes de empujarlo hacia la máquina, que los ganchos se hayan introducido en las correspondientes ranuras.

## Controlar el tubo de alimentación de agua

Controle el tubo de alimentación al menos una vez al año. Si presenta grietas o rajaduras debe ser sustituido: durante los lavados, las fuertes presiones podrían provocar roturas imprevistas.

! No utilice nunca tubos ya usados.

## Cómo limpiar la cubeta de detergente

### Desmontaje:

Ejerza una ligera presión sobre el botón grande en la parte delantera de la cubeta de detergente y tírelo hacia arriba (fig. 1).

### Limpieza:

Limpie luego la cubeta bajo el grifo (fig. 3) utilizando un viejo cepillo de dientes y, una vez extraído el par de sifones ubicados en la parte superior de los compartimentos 1 y 2 (fig. 4), controle que los mismos no estén obstruidos y enjuáguelos.

### Reinstalación:

No olvide volver a introducir el par de sifones en sus correspondientes alojamientos y por último volver a colocar la cubeta en su lugar, enganchándola (fig. 4, 2, 1).

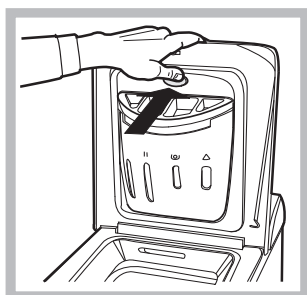


Fig. 1

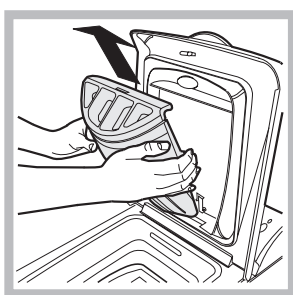


Fig. 2

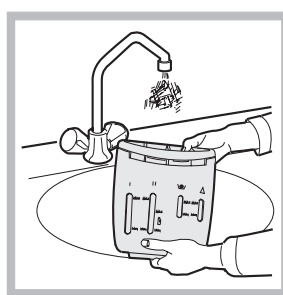


Fig. 3

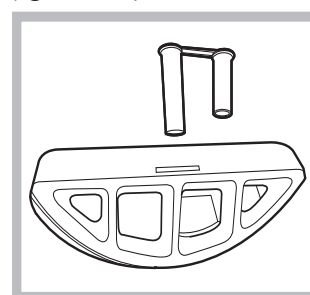


Fig. 4

# Precauciones y consejos

! La lavadora fue proyectada y fabricada en conformidad con las normas internacionales de seguridad. Estas advertencias se suministran por razones de seguridad y deben ser leídas atentamente.

## Seguridad general

- Este aparato ha sido fabricado para un uso de tipo doméstico exclusivamente.
- Este aparato puede ser utilizado por niños de 8 años o más y por personas con capacidades físicas, sensoriales o mentales disminuidas o con experiencia y conocimientos insuficientes siempre que sean supervisados o que hayan recibido una adecuada formación sobre el uso del aparato en forma segura y conozcan los peligros derivados del mismo. Los niños no deben jugar con el aparato. El mantenimiento y la limpieza no deben ser realizados por niños sin supervisión.
- No toque la máquina con los pies desnudos ni con las manos o los pies mojados o húmedos.
- No desenchufe la máquina tirando el cable, sino tomando el enchufe.
- No toque el agua de descarga porque puede alcanzar temperaturas elevadas.
- En ningún caso fuerce la puerta: podría dañarse el mecanismo de seguridad que la protege de aperturas accidentales.
- En caso de avería, no acceda nunca a los mecanismos internos para intentar una reparación.
- Controle siempre que los niños no se acerquen a la máquina cuando está en funcionamiento.
- Si debe ser trasladada, deberán intervenir dos o más personas, procediendo con el máximo cuidado. La máquina no debe ser desplazada nunca por una sola persona ya que es muy pesada.
- Antes de introducir la ropa controle que el cesto esté vacío.

## Eliminaciones

- Eliminación del material de embalaje: respete las normas locales, de ese modo, los embalajes podrán volver a ser utilizados.
- En base a la Norma europea 2002/96/CE de Residuos de aparatos Eléctricos y Electrónicos, los electrodomésticos viejos no pueden ser arrojados en los contenedores municipales habituales; tienen que ser recogidos selectivamente para optimizar la recuperación y reciclado de los componentes y materiales que los constituyen, y reducir el impacto en la salud humana y el medioambiente. El símbolo del cubo de basura tachado se marca sobre todos los productos para recordar al consumidor la obligación de separarlos para la recogida selectiva.

El consumidor debe contactar con la autoridad local o con el vendedor para informarse en relación a la correcta eliminación de su electrodoméstico viejo.

## Ahorrar y respetar el medio ambiente

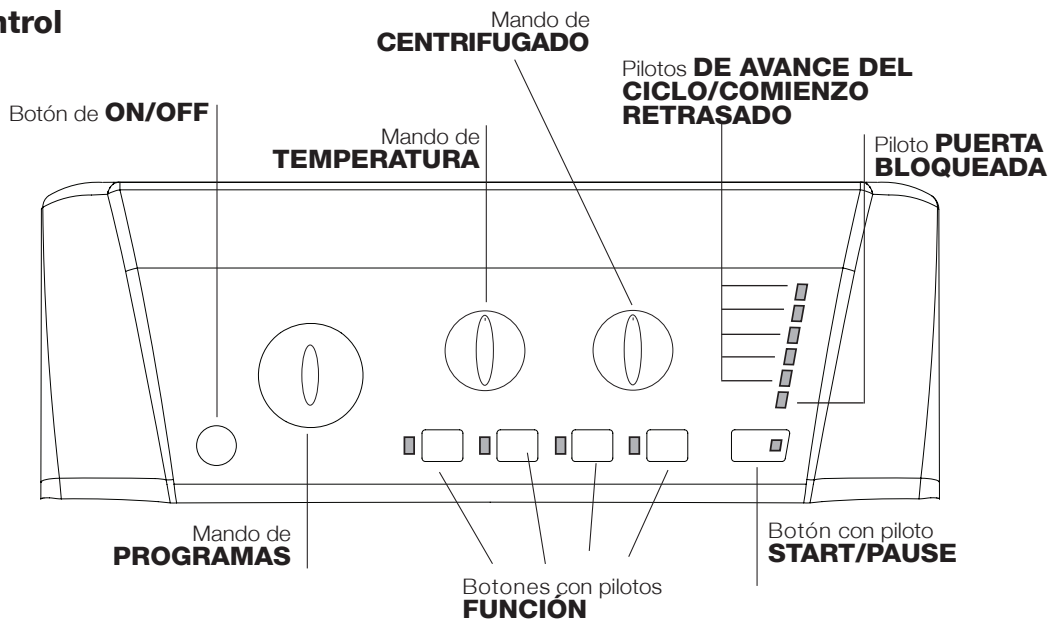
### Tecnología a servicio del medio ambiente: ahorrar detergente, agua, energía y tiempo

- Para no derrochar recursos es necesario utilizar la lavadora con la máxima carga. Una carga completa en lugar de dos medias cargas permite ahorrar hasta el 50% de energía.
- El prelavado es necesario sólo para ropa muy sucia. Evitarlo permite ahorrar detergente, tiempo, agua y entre el 5 y el 15% de energía.
- Tratar las manchas con un quitamanchas o dejarlas en remojo antes del lavado, disminuye la necesidad de lavar a altas temperaturas. Un programa a 60°C en vez de 90°C o uno a 40°C en vez de 60°C, permite ahorrar hasta un 50% de energía.
- Dosificar bien el detergente en base a la dureza del agua, al grado de suciedad y a la cantidad de ropa evita derroches y protege el ambiente: aún siendo biodegradables, los detergentes contienen elementos que alteran el equilibrio de la naturaleza. Además, si es posible, evite utilizar el suavizante.
- Realizando los lavados desde el atardecer hasta las primeras horas de la mañana se colabora para reducir la carga de absorción de las empresas eléctricas. La opción "Comienzo retrasado" ayuda mucho a organizar los lavados en ese sentido.
- Si el lavado debe ser secado en una secadora, seleccione una velocidad de centrifugado alta. Poca agua en el lavado, permite ahorrar tiempo y energía en el programa de secado.

# Descripción de la lavadora y comienzo de un programa

## Panel de control

ES



Botón de **ON/OFF**: para encender y apagar la lavadora.

Mando de **PROGRAMAS**: para elegir los programas. Durante el funcionamiento del programa el mando no se mueve.

Botones con pilotos de **FUNCION**: para seleccionar las funciones disponibles. El piloto correspondiente a la función seleccionada permanecerá encendido.

Mando de **CENTRIFUGADO**: para seleccionar el centrifugado o excluirlo (ver "Personalizaciones").

Mando de **TEMPERATURA**: para seleccionar la temperatura o el lavado en frío (ver "Personalizaciones").

Pilotos **DE AVANCE DEL CICLO/COMIENZO RETRASADO**: para seguir el estado de avance del programa de lavado. El piloto encendido indica la fase en curso. Si se seleccionó la función "Comienzo retrasado", indicarán el tiempo que falta para la puesta en marcha del programa (ver la página correspondiente).

Piloto **PUERTA BLOQUEADA**: para saber si la puerta se puede abrir (ver la página correspondiente).

Botón con piloto **START/PAUSE**: se utiliza para poner en marcha los programas o interrumpirlos momentáneamente. **Nota**: Presione este botón para poner en pausa el lavado en curso, el piloto correspondiente centelleará con color anaranjado mientras que el de la fase en curso permanecerá encendido en forma fija. Si el piloto PUERTA BLOQUEADA está apagado, se podrá abrir la puerta. Para que el lavado se reanude a partir del momento en el cual fue interrumpido, presione nuevamente este botón.

### Modalidad de stand by

Esta lavasecadora está en conformidad con las nuevas normativas vinculadas al ahorro energético.

Está dotada de un sistema de auto-apagado (stand by) que, en caso de no funcionamiento, se activa pasados aproximadamente 30 minutos. Presionar brevemente el botón ON/OFF y esperar que la máquina se active.

Consumo en off-mode: 0,5 W  
Consumo en Left-on: 0,5 W

## Pilotos

Los pilotos suministran información importante. He aquí lo que nos dicen:

### Comienzo retrasado

Si se ha activado la función "Comienzo retrasado" (ver "Personalizaciones"), después de haber puesto en marcha el programa, comenzará a centellear el piloto correspondiente al retraso seleccionado:



Con el transcurrir del tiempo se visualizará el retraso residual con el centelleo de la luz testigo correspondiente:



Una vez transcurrido el tiempo fijado, la luz testigo centelleante se apagará y comenzará el programa seleccionado.

### Pilotos fase en curso

Una vez seleccionado y puesto en marcha el ciclo de lavado deseado, las luces testigo se encenderán progresivamente para indicar su estado de avance:



Lavado	
Aclarado	
Centrifugado	
Descarga	
Fin del Lavado	END 

### Botones de función y pilotos correspondientes

Seleccionando una función, el piloto correspondiente se iluminará. Si la función seleccionada no es compatible con el programa elegido, el piloto correspondiente centelleará y la función no se activará. Cuando se seleccione una función incompatible con otra seleccionada precedentemente, permanecerá activa sólo la última elección realizada.

### Piloto puerta bloqueada

El piloto encendido indica que la puerta está bloqueada para impedir aperturas accidentales; antes de abrir la puerta es necesario esperar que dicho piloto se apague, de este modo se evitarán daños (la espera es de aproximadamente 3 minutos).

**Nota:** si la función "Comienzo retrasado" está activada, la puerta no se puede abrir, para abrirla se debe poner en pausa la máquina presionando el botón START/PAUSE.

! El centelleo rápido del piloto START/PAUSE (anaranjado) simultáneamente con el de las funciones indica una anomalía (ver "Anomalías y soluciones").

### Cómo abrir y cerrar el cesto

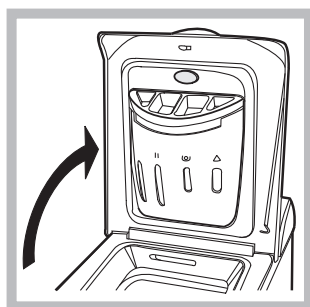


Fig. 1

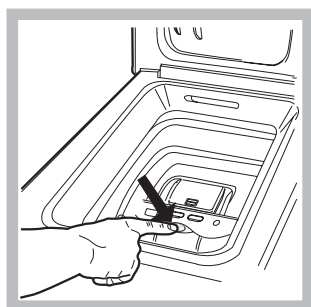


Fig. 2

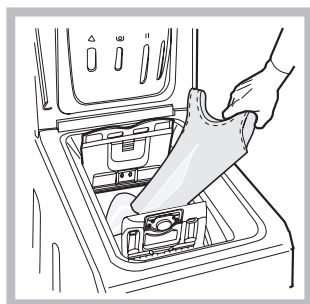


Fig. 3

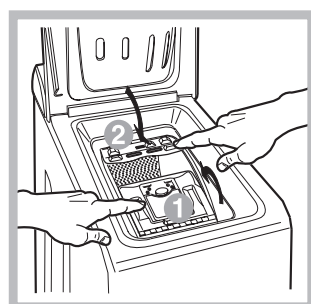


Fig. 4

### A) Abertura (Fig. 1):

Levante la tapa externa y ábrala completamente.

### B) Abertura del cesto (Soft opening):

Pulse el botón indicado en la *fig. 2* con un dedo y el cesto se abrirá delicadamente.

### C) Introducción de la ropa (Fig. 3).

### D) Cierre (Fig. 4):

- cierre bien el cesto bajando primero la puerta delantera y apoyando luego la posterior;
- luego verifique que los ganchos de la puerta de lantera estén perfectamente alojados en la sede de la puerta posterior;
- después de haber escuchado el "clac" correspondiente al enganche, ejerza una leve presión hacia abajo sobre ambas puertas que no se deben desenganchar;
- por último cierre la tapa externa.

### Poner en marcha un programa

1. Encienda la lavadora pulsando el botón ON/OFF. Todos los pilotos se encenderán durante algunos segundos, luego permanecerán encendidos sólo los pilotos correspondientes a las configuraciones para el programa seleccionado y centelleará el piloto START/PAUSE.
2. Cargue la ropa y cierre las puertas y la tapa.
3. Seleccione el programa deseado con el mando de PROGRAMAS.
4. Fije la temperatura de lavado (ver "Personalizaciones").
5. Fije la velocidad de centrifugado (ver "Personalizaciones").
6. Vierta detergente y aditivos (ver "Detergentes y ropa").
7. Seleccione las funciones deseadas.
8. Ponga en marcha el programa presionando el botón START/PAUSE y el piloto correspondiente permanecerá encendido, fijo y de color verde. Para anular el ciclo seleccionado ponga en pausa la máquina presionando el botón START/PAUSE y elija un nuevo ciclo.
9. Al final del programa se iluminará el piloto END. El piloto PUERTA BLOQUEADA se apagará indicando que la puerta se puede abrir. Extraiga la ropa y deje la puerta semicerrada para permitir que el cesto se seque. Apague la lavadora presionando el botón ON/OFF.

# Programas

## Tabla de programas

Programas	Descripción del Programa	Temp. max. (°C)	Velocidad máx. (r.p.m.)	Detergentes				Carga máx. (Kg.)	Humedad residual%	Consumo de energía kWh	Agua total lt	Duración del ciclo
				Prelavado	Blanqueador	Lavado	Suavizante					
1	<b>Algodón + Prelavado:</b> ropa blanca muy sucia.	90°	1000	●	-	●	●	6	62	1,92	67	160'
	<b>Algodón Standard 60° (1):</b> blancos y colores resistentes muy sucios.	60° (Max. 90°)	1000	-	-	●	●	6	62	1,04	50,0	165'
	<b>Algodón Standard 40° (2):</b> blancos y colores delicados poco sucios.	40°	1000	-	-	●	●	6	62	1,09	92	160'
4	<b>Algodón Standard 20°:</b> blancos y colores delicados poco sucios.	20°	1000	-	-	●	●	6	-	-	-	180'
5	<b>Sintético:</b> colores resistentes muy sucios.	60°	800	-	-	●	●	3	44	0,85	39	110'
5	<b>Sintético (3):</b> colores resistentes poco sucios.	40°	800	-	-	●	●	3	44	0,53	39	100'
6	<b>Mix 30':</b> para refrescar rápidamente prendas poco sucias (no se aconseja utilizarlo para lana, seda y prendas para lavar a mano).	30°	800	-	-	●	●	3	71	0,25	33	30'
7	<b>Mix 15':</b> para refrescar rápidamente prendas poco sucias (no se aconseja utilizarlo para lana, seda y prendas para lavar a mano).	30°	800	-	-	●	●	1,5	71	0,08	29	15'
8	<b>Ciclo Desinfectante:</b> ropa blanca muy sucia.	90°	1000	-	●	●	●	6	-	-	-	180'
9	<b>Ciclo Buenas Noches:</b> colores delicados poco sucios.	40°	800	-	-	●	●	4	-	-	-	280'
10	<b>Baby Cycle:</b> colores delicados muy sucios.	40°	800	-	-	●	●	2	-	-	-	120'
11	<b>Camisas</b>	40°	600	-	-	●	●	2	-	-	-	80'
12	<b>Seda/Cortinas:</b> para prendas de seda, viscosa, lencería.	30°	0	-	-	●	●	1	-	-	-	55'
13	<b>Lana:</b> para lana, cachemira, etc.	40°	800	-	-	●	●	1	-	-	-	65'
	Aclarado	-	1000	-	-	-	●	6	-	-	-	36'
	Centrifugado	-	1000	-	-	-	-	6	-	-	-	16'
	Descarga	-	0	-	-	-	-	6	-	-	-	2'

La duración del ciclo que se indica en el visor o en el manual es una estimación calculada en base a condiciones estándar. El tiempo efectivo puede variar en función de numerosos factores como la temperatura y la presión del agua de entrada, la temperatura ambiente, la cantidad de detergente, la cantidad y el tipo de carga, el equilibrio de la carga y las opciones adicionales seleccionadas.

1) Programa de control según la directiva 1061/2010: seleccione el programa con una temperatura de 60°C.

Este ciclo es adecuado para limpiar una carga de algodón normalmente sucia, es el más eficiente en lo que se refiere al consumo combinado con la energía y la cantidad de agua y se usa con prendas lavables a 60°C. La temperatura efectiva de lavado puede diferir de la indicada.

2) Programa de control según la directiva 1061/2010: seleccione el programa con una temperatura de 40°C.

Este ciclo es adecuado para limpiar una carga de algodón normalmente sucia, es el más eficiente en lo que se refiere al consumo combinado con la energía y la cantidad de agua y se usa con prendas lavables a 40°C. La temperatura efectiva de lavado puede diferir de la indicada.

Para todos los Test Institutes:

2) Programa algodón largo: seleccione el programa con una temperatura de 40°C.

3) Programa sintético largo: seleccione el programa 5 con una temperatura de 40°C.

**Algodón Standard 20°** (programa 4). Ideal para cargas de prendas de algodón sucias. Los buenos rendimientos aún en frío, comparables con los de un lavado a 40°, están garantizados por una acción mecánica que trabaja con variación de velocidad con picos repetidos y cercanos.

**Mix 30'** (programa 6) fue estudiado para lavar prendas ligeramente sucias y en poco tiempo: dura sólo 30 minutos y de esa manera permite ahorrar energía y tiempo. Seleccionando el programa (6 a 30°C) es posible lavar conjuntamente tejidos de distinto tipo (excluidas lana y seda), con una carga máxima de 3 kg.

**Mix 15'** (programa 7) fue estudiado para lavar prendas ligeramente sucias y en poco tiempo: dura sólo 15 minutos y de esa manera permite ahorrar energía y tiempo. Seleccionando el programa (7 a 30°C) es posible lavar conjuntamente tejidos de distinto tipo (excluidas lana y seda), con una carga máxima de 1,5 kg.

**Ciclo Desinfectante** (programa 8). Un programa higienizante con elevadas temperaturas, prevé el uso del blanqueador con temperaturas mayores que 60°C. Para blanquear vierta el blanqueador, los detergentes y los aditivos en los compartimentos correspondientes (ver el párrafo "Contenedor de detergentes").

**Ciclo Buenas noches** (programa 9). Es un ciclo silencioso que puede trabajar de noche cuando la tarifa energética es menor. El programa ha sido estudiado para prendas sintéticas y de algodón. Al final del ciclo, la máquina se detiene con el agua en la cuba; para realizar el centrifugado y la descarga presione el botón START/PAUSE, de lo contrario, después de 8 horas, la máquina los realizará automáticamente.

**Baby Cycle** (programa 10). Programa capaz de eliminar la suciedad característica de los niños pero garantizando la eliminación del detergente de las prendas para evitar problemas de alergia en la piel delicada de los niños. El ciclo ha sido estudiado para disminuir la carga bacteriana utilizando una mayor cantidad de agua y optimizando el efecto de aditivos específicos higienizantes agregados al detergente.

Al finalizar el lavado, la máquina realizará lentas rotaciones del cesto para evitar la formación de arrugas; para terminar el ciclo, presione el botón START/PAUSE.

# Personalizaciones

## Seleccionar la temperatura

Girando el mando de la TEMPERATURA se selecciona la temperatura de lavado (ver la *Tabla de programas*).

La temperatura se puede disminuir hasta el lavado en frío (❄).

La máquina impedirá automáticamente seleccionar una temperatura mayor que la máxima prevista para cada programa.

! Excepción: cuando se selecciona el programa , la temperatura se puede aumentar hasta 90°.

## Seleccionar el centrifugado

Girando el mando de CENTRIFUGADO se selecciona la velocidad de centrifugado del programa seleccionado.

Las velocidades máximas previstas para los programas son:

Programas	Velocidad máxima
Algodón	1000 r.p.m.
Sintéticos	800 r.p.m.
Lana	800 r.p.m.
Seda	sólo descarga

Se puede disminuir la velocidad de centrifugado o excluirlo seleccionando el símbolo .

La máquina impedirá automáticamente efectuar un centrifugado a una velocidad mayor que la máxima prevista para cada programa.

## Funciones

Las distintas funciones de lavado previstas por la lavadora permiten obtener la limpieza y el blanco deseados.

Para activar las funciones:

1. presione el botón correspondiente a la función deseada;
2. el encendido del piloto correspondiente indica que la función está activa.

Nota: El centelleo rápido del piloto indica que la función correspondiente no se puede seleccionar para el programa elegido.

### Comienzo retrasado

Retrasa la puesta en marcha de la máquina hasta 12 horas.

Presione varias veces el botón hasta hacer encender la luz testigo correspondiente al retraso deseado. La quinta vez que se presione el botón, la función se desactivará.

Nota: Una vez presionado el botón START/PAUSE, se puede modificar el valor del retraso sólo disminuyéndolo.

! Se puede utilizar en todos los programas.

### Plancha fácil

Cuando se selecciona esta función, el lavado y el centrifugado se modificarán oportunamente para disminuir la formación de arrugas.

En el programa 11 la máquina terminará el ciclo dejando la ropa en remojo y el piloto de la función PLANCHA FÁCIL y el de START/PAUSE centellearán (anaranjado) y el de la fase ACLARADO permanecerá encendido en forma fija. Para descargar el agua y poder sacar la ropa, es necesario presionar el botón START/PAUSE o el botón PLANCHA FÁCIL.

! No se puede activar con los programas 6, 7, 8, 9, 10, 13, , , .

### Aclarado extra

Al elegir esta función aumentará la eficacia del aclarado y se asegurará la máxima eliminación del detergente. Es útil para pieles particularmente sensibles.

! No se puede activar con los programas 6, 7, , .

### Super wash

Gracias al uso de una mayor cantidad de agua en la fase inicial del ciclo y al empleo de mayor tiempo, dicha función garantiza un lavado con óptimos resultados.

! No se puede activar con los programas 4, 6, 7, 8, 12, 13, , , .

# Detergentes y ropa

ES

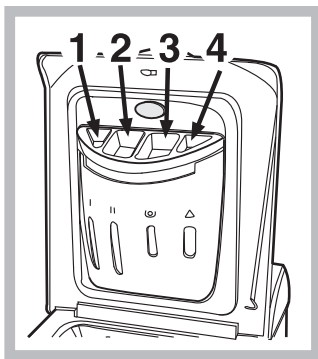
## Cajón de detergentes

El buen resultado del lavado depende también de la correcta dosificación del detergente: si se excede la cantidad, no se lava de manera más eficaz, sino que se contribuye a encostrar las partes internas de la lavadora y a contaminar el ambiente.

! Utilice detergentes en polvo para prendas de algodón blancas, para el prelavado y para lavados con una temperatura mayor que 60°C.

! Respete las indicaciones que se encuentran en el envase de detergente.

! No use detergentes para el lavado a mano porque producen demasiada espuma.



Extraiga el cajón de detergentes e introduzca el detergente o el aditivo de la siguiente manera:

### cubeta 1: Detergente para prelavado (en polvo)

### cubeta 2: Detergente para lavado (en polvo o líquido)

El detergente líquido es conveniente colocarlo directamente en la cuba utilizando la correspondiente bola de dosificación.

### cubeta 3: Aditivos (suavizante, etc.)

Cuando vierta el suavizante en el compartimiento 3, tenga cuidado de no superar el nivel "max" indicado.

El suavizante se introduce automáticamente en la máquina durante el último aclarado. Al finalizar el programa de lavado, en el compartimiento 3 permanece una cantidad residual de agua. La función de la misma es la introducción de suavizantes muy densos o diluir a aquellos concentrados. Si en el compartimiento 3 permaneciera más agua de la normal, esto significa que el dispositivo de vaciado está obstruido. Para la limpieza, véase "Mantenimiento y cuidados".

### cubeta 4: Blanqueador

## Ciclo de blanqueo

El blanqueo se puede realizar sólo con los programas 8. Vierta el blanqueador en la cubeta 4, el detergente y el suavizante en las correspondientes cubetas y luego seleccione uno de los programas indicados.

Es adecuado sólo para prendas de algodón muy sucias.

## Preparar la ropa

- Subdivida la ropa según:
  - el tipo de tejido / el símbolo en la etiqueta.
  - los colores: separe las prendas de color y las blancas.
- Vacíe los bolsillos y controle los botones.
- No supere los valores indicados, referidos al peso de la ropa seca: ver "Tabla de programas".

### ¿Cuánto pesa la ropa?

- 1 sábana 400/500 g
- 1 funda 150/200 g
- 1 mantel 400/500 g
- 1 albornoz 900/1200 g
- 1 toalla 150/250 g

## Prendas especiales

**Camisas:** para lavar camisas de distintos tipos de telas y color, utilice el programa 11. Garantiza su máximo cuidado minimizando la formación de arrugas.

**Seda:** utilice el programa correspondiente 12 para lavar todas las prendas de seda. Se aconseja el uso de un detergente específico para prendas delicadas.

**Cortinas:** pliéguelas y colóquelas dentro de una funda o de una bolsa de red. Utilice el programa 12.

**Lana:** El ciclo de lavado "Lana" de esta lavadora Hotpoint-Ariston ha sido probado y aprobado por la Woolmark Company para el lavado de prendas de lana clasificadas como "lavables a mano", siempre que el lavado se realice respetando las instrucciones contenidas en la etiqueta de la prenda y las indicaciones suministradas por el fabricante del electrodoméstico. Hotpoint-Ariston es la primera marca de lavadoras que ha obtenido de la Woolmark Company la certificación Woolmark Apparel Care - Platinum por sus prestaciones de lavado y por el consumo de agua y energía.



## Sistema de equilibrado de la carga

Antes de cada centrifugado, para evitar vibraciones excesivas y para distribuir la carga de modo uniforme, el cesto realiza rotaciones a una velocidad ligeramente superior a la del lavado. Si después de varios intentos, la carga todavía no está correctamente equilibrada, la máquina realiza el centrifugado a una velocidad inferior a la prevista. Cuando existe un excesivo desequilibrio, la lavadora realiza la distribución antes que el centrifugado. Para obtener una mejor distribución de la carga y su correcto equilibrado, se aconseja mezclar prendas grandes y pequeñas.

# Anomalías y soluciones

Puede suceder que la lavadora no funcione. Antes de llamar al Servicio de Asistencia Técnica (ver "Asistencia"), controle que no se trate de un problema de fácil solución utilizando la siguiente lista.

## Anomalías:

### La lavadora no se enciende.

## Posibles causas / Solución:

- El enchufe no está introducido en la toma de corriente, o no hace contacto.
- En la casa no hay corriente.

### El ciclo de lavado no comienza.

- La puerta no está bien cerrada.
- El botón ON/OFF no ha sido presionado.
- El botón START/PAUSE no ha sido presionado.
- El grifo de agua no está abierto.
- Se fijó un retraso de la hora de puesta en marcha (ver "Personalizaciones").

### La lavadora no carga agua (centellea rápidamente el piloto de la primera fase de lavado).

- El tubo de alimentación de agua no está conectado al grifo.
- El tubo está plegado.
- El grifo de agua no está abierto.
- En la casa no hay agua.
- No hay suficiente presión.
- El botón START/PAUSE no ha sido presionado.

### La lavadora carga y descarga agua continuamente.

- El tubo de descarga no está instalado entre los 65 y 100 cm. del suelo (ver "Instalación").
- El extremo del tubo de descarga está sumergido en el agua (ver "Instalación").
- La descarga de pared no posee un respiradero.

Si después de estas verificaciones, el problema no se resuelve, cierre el grifo de agua, apague la lavadora y llame a la Asistencia. Si la vivienda se encuentra en uno de los últimos pisos de un edificio, es posible que se verifiquen fenómenos de sifonaje, por ello la lavadora carga y descarga agua de modo continuo. Para eliminar este inconveniente se encuentran disponibles en el comercio válvulas especiales que permiten evitar el sifonaje.

### La lavadora no descarga o no centrifuga.

- El programa no prevé la descarga: con algunos programas es necesario ponerla en marcha manualmente.
- Se puede utilizar la función PLANCHA FÁCIL: para completar el programa, pulse el botón START/PAUSE ("Personalizaciones").
- El tubo de descarga está plegado (ver "Instalación").
- El conducto de descarga está obstruido.

### La lavadora vibra mucho durante la centrifugación.

- El cesto, en el momento de la instalación, no fue desbloqueado correctamente (ver "Instalación").
- La máquina no está instalada en un lugar plano (ver "Instalación").
- Existe muy poco espacio entre la máquina, los muebles y la pared (ver "Instalación").

### La lavadora pierde agua.

- El tubo de alimentación de agua no está bien enroscado (ver "Instalación").
- El contenedor de detergentes está obstruido (para limpiarlo ver "Mantenimiento y cuidados").
- El tubo de descarga no está bien fijado (ver "Instalación").

### El piloto START/PAUSE (anaranjado) y los pilotos de las funciones centellean rápidamente.

- Apague la máquina y desenchúfela, espere aproximadamente 1 minuto y luego vuelva a encenderla.  
Si la anomalía persiste, llame al Servicio de Asistencia Técnica.

### Se forma demasiada espuma.

- El detergente no es específico para la lavadora (debe contener algunas de las frases "para lavadora", "a mano o en lavadora" o similares).
- La dosificación fue excesiva.



# Asistencia

---

ES

## Antes de llamar al Servicio de Asistencia Técnica:

- Verifique si la anomalía la puede resolver Ud. solo (ver "Anomalías y soluciones");
- Vuelva a poner en marcha el programa para controlar si el inconveniente fue resuelto;
- Si no es así, llame al Servicio de Asistencia técnica autorizado, al número de teléfono indicado en el certificado de garantía.

! No recurra nunca a técnicos no autorizados.

## Comuniquese:

- el tipo de anomalía;
- el modelo de la máquina (Mod.);
- el número de serie (S/N).

Estas informaciones se encuentran en la placa que está fijada en la parte posterior de la lavadora.

La siguiente información es válida solo para España.

Para otros países de habla hispana consulte a su vendedor.

### Ampliación de garantía

Llame al **902.363.539** y le informaremos sobre el fantástico plan de ampliación de garantía hasta 5 años.

Consiga una cobertura total adicional de

- Piezas y componentes
- Mano de obra de los técnicos
- Desplazamiento a su domicilio de los técnicos

Y NO PAGUE AVERIAS NUNCA MAS

### Servicio de asistencia técnica (SAT)

Llame al **902.133.133** y nuestros técnicos intervendrán con rapidez y eficacia, devolviendo el electrodoméstico a sus condiciones óptimas de funcionamiento.

En el SAT encontrará recambios, accesorios y productos específicos para la limpieza y mantenimiento de su electrodoméstico a precios competitivos.

ESTAMOS A SU SERVICIO

CIS

Русский

**ARTXL 109**

CIS

### Содержание

#### Установка, 26-27

Распаковка и нивелировка  
Подключение к водопроводу и электричеству  
Первый цикл стирки

#### Описание стиральной машины и порядка запуска программы, 28-29

Панель управления  
Индикаторы  
Как открыть и закрыть барабан  
Порядок запуска программы

#### Программы, 30

Таблица программ

#### Персонализированные настройки, 31

Регулировка температуры  
Выбор скорости отжима  
Дополнительные функции

#### Моющие средства и типы белья, 32

Распределитель моющих средств  
Отбеливание  
Подготовка белья  
Изделия, требующие деликатной стирки  
Система балансировки белья

#### Предосторожности и рекомендации, 33

Общие требования к безопасности  
Утилизация  
Экономия энергии и охрана окружающей среды

#### Техническое обслуживание и уход, 34

Отключение воды и электричества  
Уход за стиральной машиной  
ход за дверцей машины и барабаном  
Чистка насоса  
Проверка заливного шланга  
Как чистить распределитель моющих средств

#### Поиск неисправностей и методы их устранения, 35

#### Сервисное обслуживание, 36

Технические характеристики



АЮ 77

# Установка

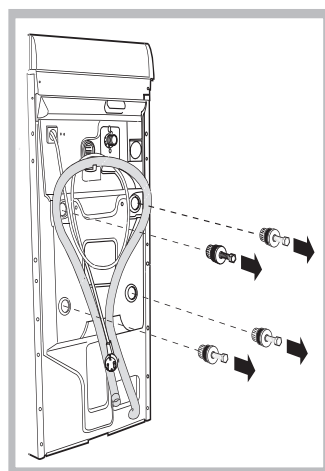
CIS

! Сохраните данное руководство. Оно должно быть в комплекте со стиральной машиной в случае продажи, передачи оборудования или при переезде на новую квартиру, чтобы новый владелец оборудования мог ознакомиться с правилами его функционирования и обслуживания.

! Внимательно прочитайте руководство: в нем содержатся важные сведения по установке и безопасной эксплуатации стиральной машины.

## Распаковка и выравнивание

### Распаковка



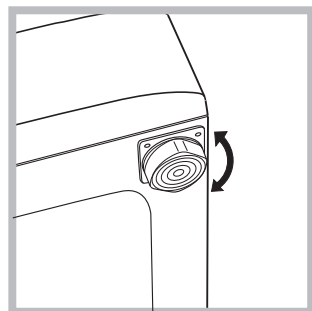
1. Р а с п а к у й т е стиральную машину.
2. Убедитесь, что оборудование не было повреждено во время транспортировки. При обнаружении повреждений – не подключайте машину – свяжитесь с поставщиком немедленно.
3. Удалите четыре транспортировочных винта и резиновые пробки с прокладками, расположенные в задней

части стиральной машины (см. рис.).

4. Закройте отверстия прилагающимися пластиковыми заглушками.
5. Сохраняйте все детали: они Вам понадобятся при последующей транспортировке стиральной машины. **болты, резиновые шайбы и большую металлическую поперечную планку.** Закройте образовавшиеся отверстия пластмассовыми заглушками.

! Не разрешайте детям играть с упаковочными материалами.

### Выравнивание



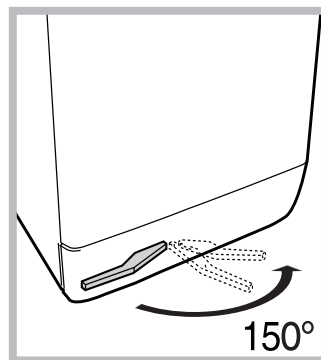
1. Установите стиральную машину на ровном и прочном полу, так чтобы она не касалась стен, мебели и прочих предметов.
2. После установки машины на место отрегулируйте ее устойчивое положение путем вращения передних ножек (см. рис.). Для этого

сначала ослабьте контргайку, после завершения регулировки контргайку затяните. После установки машины на место проверьте по уровню горизонтальность верхней крышки корпуса, отклонение горизонтали должно быть не более 2°.

Правильное выравнивание оборудования поможет избежать шума, вибраций и смещений во время работы машины.

Если стиральная машина стоит на полу, покрытом ковром, убедитесь, что ее основание возвышается над ковром. В противном случае вентиляция будет затруднена или вовсе невозможна.

### Установка машины на место и перемещение

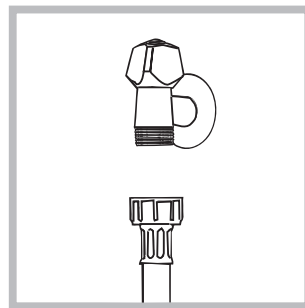


положение верните рычаг в исходное поло.

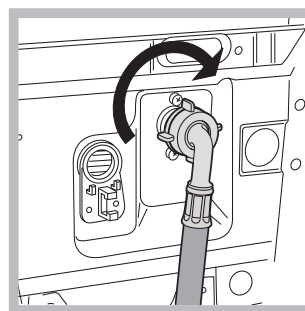
Ваша стиральная машина может быть оснащена специальными убирающимися колесами для облегчения ее перемещения. Чтобы опустить колеса и передвинуть оборудование, просто потяните за рычаг, расположенный слева под основанием машины. После установки оборудования

## Подключение к водопроводной и электрической сети

### Подсоединение заливного шланга



1. Прикрутите шланг подачи к крану холодной воды с резьбовым отверстием 3/4 gas (см. схему). Перед подсоединением откройте водопроводный кран до тех пор, пока из него не потечет чистая вода.

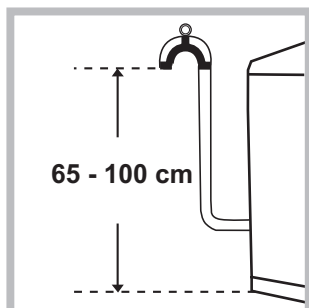


2. Подсоедините заливной шланг к стиральной машине, навинтив его на водоприемник, расположенный в задней верхней части справа (см. рис.).
3. Убедитесь, что шланг не перекручен и не пережат.

! Давление воды должно быть в пределах значений, указанных в таблице Технических характеристик (см. с. 3).

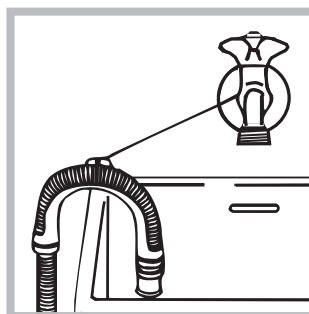
! Если длина водопроводного шланга окажется недостаточной, обратитесь в Авторизованный Сервисный центр.

### Подсоединение сливного шланга



Повесьте загнутый конец сливного шланга на край раковины, ванны, или поместите в специальный вывод канализации.

Шланг не должен перегибаться. Верхняя точка сливного шланга должна находиться на высоте 65-100 см от пола. Расположение сливного шланга должно обеспечивать разрыв струи при сливе (конец шланга не должен быть опущен в воду). В случае крепления на край ванной или раковины, шланг вешается с помощью направляющей (входит в комплект поставки), которая крепится к крану (рис.).



**!** Не рекомендуется применение удлинителей для сливного шланга, при необходимости допускается его наращивание шлангом такого же диаметра и длиной не более 150 см.

### Подсоединение к электросети

Внимание! Оборудование обязательно должно быть заземлено!

1. Машина подключается к электрической сети при помощи двухполюсной розетки с заземляющим контактом (розетка не поставляется с машиной). Фазный провод должен быть подключен через автомат защиты сети, рассчитанный на максимальный ток (ток срабатывания) 16 А, и имеющий время срабатывания не более 0,1 с.
2. При наличии вблизи от предполагаемого места установки машины розетки с заземляющим контактом, имеющей трехпроводную подводку кабеля с медными жилами сечением не менее 1,5 кв. мм (или алюминиевыми жилами сечением не менее 2,5 кв. мм), доработка электросети не производится. При отсутствии указанной розетки и проводки следует провести их монтаж.
3. Прокладка заземления отдельным проводом не допускается.
4. Для доработки электрической сети рекомендуется применять провод типа ППВ 3x1,5 380 ГОСТ 6223-79. Допускается применение других марок кабеля, обеспечивающих пожаро- и электробезопасность при эксплуатации машины.

*Перед включением машины в сеть убедитесь, что:*

- розетка и проводка соответствуют требованиям, изложенным в данном разделе инструкции;
- напряжение и частота тока сети соответствуют данным машины;
- розетка и вилка одного типа;

- розетка заземлена в соответствии с нормами безопасности, описанными в данном разделе инструкции (допускается организация заземления рабочим нулем, при условии, что защитная линия не имеет разрыва и подключена напрямую в обвод каких-либо приборов (например, электрического счетчика).

Если вилка не подходит к розетке, ее следует заменить на новую, соответствующую розетке, или заменить питающий кабель. Замена кабеля должна производиться только квалифицированным персоналом.

Запрещается использование переходников, двойных и более розеток и удлинителей (они создают опасность возгорания). Если Вы считаете их использование необходимым, применяйте один единственный удлинитель, удовлетворяющий требованиям безопасности.

*Оборудование, подключенное с нарушением требований безопасности бытовых приборов большой мощности, изложенных в данной инструкции, является потенциально опасным.*

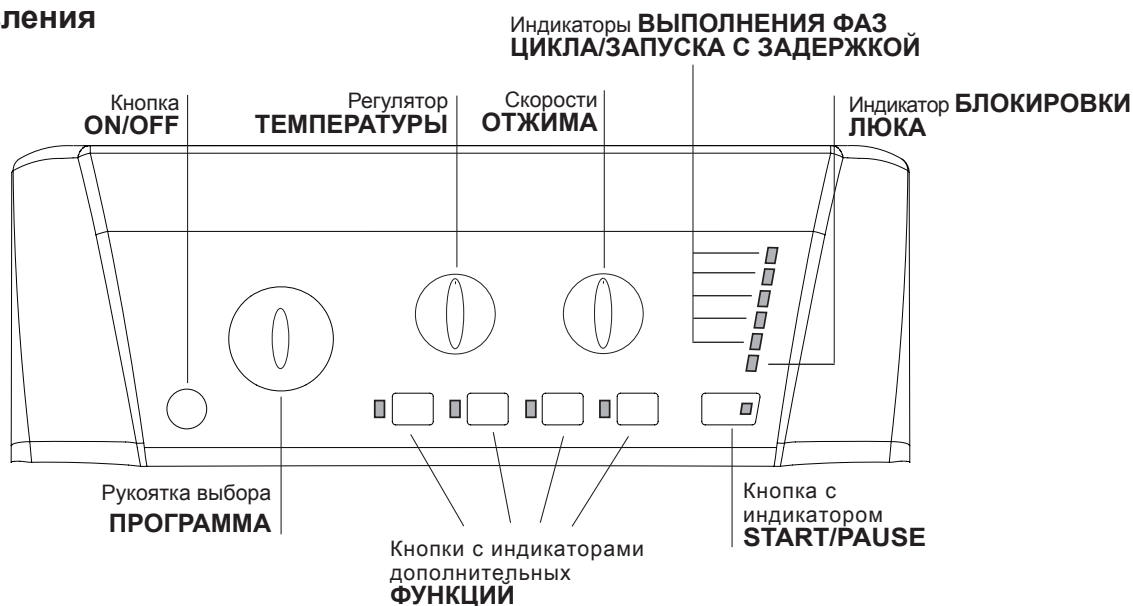
*Производитель не несет ответственности за ущерб здоровью и собственности, если он вызван несоблюдением указанных норм установки.*

### Первый цикл стирки

По завершении установки, перед началом эксплуатации необходимо произвести один цикл стирки со стиральным порошком, но без белья, по программе  $60^{\circ}\text{C}$ .

# Описание стиральной машины и порядка запуска программы

## Панель управления



Кнопка **ON/OFF**: служит для включения и выключения стиральной машины.

Рукоятка выбора **ПРОГРАММА**: служит для выбора программ. В процессе выполнения программы рукоятка не вращается.

Кнопки с индикаторами дополнительных **ФУНКЦИЙ**: служат для выбора имеющихся дополнительных функций. Индикатор, соответствующий выбранной функции, останется включенным.

Скорости **ОТЖИМА**: служит для выбора скорости отжима или для его исключения (см. «Персонализированные настройки»).

Регулятор **ТЕМПЕРАТУРЫ**: служит для настройки температуры или для стирки в холодной воде (см. «Персонализированные настройки»).

Индикаторы **ВЫПОЛНЕНИЯ ФАЗ ЦИКЛА/ЗАПУСКА С ЗАДЕРЖКОЙ**: показывают последовательность выполнением программы стирки. Включенный индикатор соответствует текущей фазе. Если была включена функция «Таймер отсрочки», индикаторы будут показывать время, остающееся до запуска программы (см. *страницу сбоку*).

Индикатор **БЛОКИРОВКИ ЛЮКА**: показывает, можно ли открыть люк (см. *страницу сбоку*).

Кнопка с индикатором **START/PAUSE**: служит для запуска или для временного прерывания программы.

**ПРИМЕЧАНИЕ**: для временного прерывания текущего цикла стирки нажмите эту кнопку. Соответствующий индикатор замигает оранжевым цветом, а индикатор текущей фазы стирки будет гореть, не мигая. Если индикатор **БЛОКИРОВКИ ЛЮКА**  $\Rightarrow$  погас, можно открыть люк.

Для возобновления цикла стирки с момента, когда он был прерван, вновь нажмите **START/PAUSE**.

### Режим ожидания

Настоящая стиральная машина отвечает требованиям новых нормативов по экономии электроэнергии, укомплектована системой автоматического отключения (режим сохранения энергии), включающейся через 30 минут простоя машины. Нажмите один раз кнопку **ON/OFF** и подождите, пока машина вновь включится.

### Индикаторы

Индикаторы сообщают пользователю важные сведения. Значение индикаторов:

### Таймер отсрочки

Если была включена функция «Таймер отсрочки» (см. «Персонализированные настройки»), после запуска программы начнет мигать индикатор, соответствующий заданному времени задержки:



По мере отсчета времени будет показываться остающееся время вместе с миганием соответствующего индикатора.



По прошествии заданного времени задержки мигающий индикатор погаснет, и запустится заданная программа.

### Индикаторы текущей фазы цикла:

После выбора и запуска цикла стирки индикаторы будут загораться один за другим, показывая последовательность выполнения программы:



Стирка	
Полоскание	
Отжим	
Слив	
Конец цикла	END 

### Кнопки дополнительных функций и соответствующие индикаторы

При выборе функции загорается соответствующая кнопка. Если выбранная функция является несовместимой с заданной программой, соответствующий индикатор будет мигать, и такая функция не будет включена.

Если будет выбрана функция, несовместимая с другой, ранее выбранной функцией, останется включенной только последняя выбранная функция.

### ⚠ Индикатор блокировки люка:

Включенный индикатор означает, что люк заблокирован во избежание его случайного открывания. Во избежание его повреждения необходимо дождаться, когда индикатор погаснет, перед тем как открыть люк (Обычно индикатор гаснет через 3 минуты после окончания стирки).

ПРИМЕЧАНИЕ: если включена функция «Таймер отсрочки», люк открыть нельзя. Для этого необходимо переключить машину в режим паузы при помощи кнопки START/PAUSE.

! Быстрое мигание индикатора START/PAUSE (оранжевый) одновременно с индикатором функций означает неисправность (см. «Неисправности и методы их устранения»).

### Как открыть и закрыть барабан

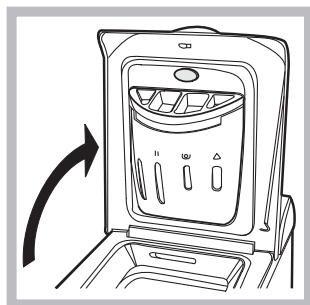


рис. 1

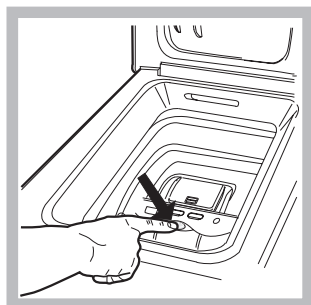


рис. 2

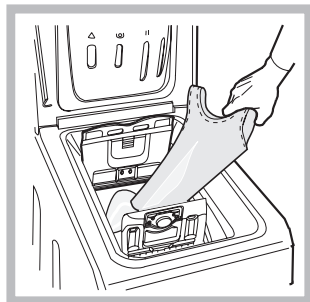


рис. 3

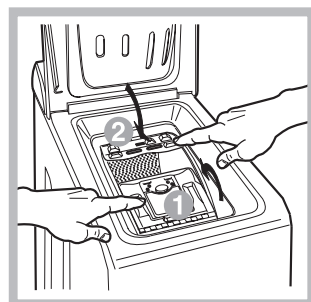


рис. 4

### А) ОТКРЫВАНИЕ (рис. 1).

Поднимите внешнюю крышку и полностью ее откройте.

### В) Открывание барабана (Soft opening – Плавное открывание):

Нажмите кнопку, показанную на рис. 2, крышка барабана плавно откроется.

### С) ЗАГРУЗКА СТИРАЛЬНОЙ МАШИНЫ (рис. 3).

### Д) ЗАКРЫВАНИЕ (рис. 4).

- закройте полностью барабан, опуская сначала переднюю дверцу, а затем заднюю;
- затем удостоверьтесь, что крюки передней дверцы точно вошли в предназначенные места на задней дверце;
- после того, как крюки защелкнулись, нажмите обе дверцы слегка вниз, чтобы убедиться они закрыты плотно;
- и, наконец, закройте внешнюю крышку.

### Порядок запуска программы

1. Включите машину при помощи кнопки ВКЛ./ВЫКЛ. Все индикаторы загорятся на несколько секунд, затем останутся включенными индикаторы настроек выбранной программы, и будет мигать индикатор START/PAUSE.
2. Загрузите белье, закройте дверцы и крышку.
3. Задайте рукояткой ПРОГРАММА нужную программу.
4. Задайте температуру стирки (см. «Персонализированные настройки»).
5. Задайте скорость отжима (см. «Персонализированные настройки»).
6. Поместите моющие средства и добавки (см. «Стиральные вещества и типы белья»).
7. Включите нужные дополнительные функции.
8. Запустите программу при помощи кнопки START/PAUSE, соответствующий индикатор загорится зеленым цветом. Для отмены заданного цикла переключите машину в режим паузы при помощи кнопки START/PAUSE и выберите новый цикл.
9. По завершении программы загорится индикатор END. Индикатор БЛОКИРОВКИ ЛЮКА погаснет, показывая, что теперь можно открыть люк. Выньте белье и оставьте люк полуоткрытым для сушки барабана. Выключите стиральную машину, нажав кнопку ON/OFF.

# Программы

## Таблица программ

Программы	Описание программы	Макс темп. (°C)	Макс. скорость (об./мин.)	Стиральные средства				Макс. загрузка (кг)	Продолжительность цикла
				Предварительная стирка	Отбеливатель	Стирка	Ополаскиватель		
1	<b>ПРЕДВАРИТЕЛЬНАЯ + ХЛОПОК 90°:</b> очень сильно загрязненное белое белье.	90°	1000	●	-	●	●	6	160'
60°C	<b>ХЛОПОК (1):</b> сильнозагрязнённое белое и прочно окрашенное цветное бельё.	60° (Max. 90°)	1000	-	-	●	●	6	165'
40°C	<b>ХЛОПОК (2):</b> очень грязное белое и деликатное цветное бельё.	40°	1000	-	-	●	●	6	160'
4	<b>ХЛОПОК:</b> очень грязное белое и деликатное цветное бельё.	20°	1000	-	-	●	●	6	180'
5	<b>СИНТЕТИКА:</b> сильнозагрязненное белье прочное цветное бельё.	60°	800	-	-	●	●	3	110'
6	<b>МИКС 30':</b> для быстрого освежения малогазяного белья (не для шерсти, шелка и изделия ручной стирки).	30°	800	-	-	●	●	3	30'
7	<b>МИКС 15':</b> для быстрого освежения малогазяного белья (не для шерсти, шелка и изделия ручной стирки).	30°	800	-	-	●	●	1,5	15'
8	<b>ЦИКЛ АНТИБАКТЕРИЯ:</b> сильнозагрязненное белое бельё.	90°	1000	-	●	●	●	6	180'
9	<b>НОЧНОЙ ЦИКЛ:</b> слабозагрязненное деликатное цветное бельё.	40°	800	-	-	●	●	4	280'
10	<b>ДЕТСКОЕ БЕЛЬЁ:</b> сильнозагрязненное деликатное цветное бельё.	40°	800	-	-	●	●	2	120'
11	<b>РУБАШКИ</b>	40°	600	-	-	●	●	2	80'
12	<b>ШЕЛК/ЗАНАВЕСКИ:</b> для изделий из шелка, вискозы и нижнего белья.	30°	0	-	-	●	●	1	55'
13	<b>ШЕРСТЬ:</b> для шерсти, кашемира и т.д.	40°	800	-	-	●	●	1	65'
Полоскание		-	1000	-	-	-	●	6	36'
Отжим		-	1000	-	-	-	-	6	16'
Слив		-	0	-	-	-	-	6	2'

Продолжительность цикла, показанная на дисплее или указанная в инструкции является расчетом, сделанным на основании стандартных условий. Фактическая продолжительность может варьировать в зависимости от многочисленных факторов таких как температура и давление воды на подаче, температура помещения, количество моющего средства, количество и тип загруженного белья, балансировка белья, выбранные дополнительные функции.

Для всех институтов тестирования:

- 1) Программы управления в соответствии с Директивой EN 60456: задайте программу  с температурой 60°C.
- 2) Длинная программа для х/б белья: задайте программу  с температурой 40°C.

**ХЛОПОК** (программа 4) белья стандартная программа идеально подходит для стирки х/б белья со средним загрязнением. Отличные результаты получаются также при стирке в холодной воде, сравнимые со стиркой при 40°, обеспечиваются механическим действием с разной скоростью с повторяющимися частыми пиками.

**МИКС 30'** (программа 6) предназначена для быстрой стирки слабозагрязненного белья цикл длится всего 30 минут, что позволяет сэкономить время и электроэнергию. По этой программе (6, 30°C) можно стирать вместе белье из разных тканей (за исключением шерсти и шелка) с максимальной загрузкой 3 кг.

**МИКС 15'** (программа 7) предназначена для быстрой стирки слабозагрязненного белья цикл длится всего 15 минут, что позволяет сэкономить время и электроэнергию. По этой программе (7, 30°C) можно стирать вместе белье из разных тканей (за исключением шерсти и шелка) с максимальной загрузкой 1,5 кг.

**ЦИКЛ АНТИБАКТЕРИЯ** (программа 8). Дезинфицирующая программа с высокой температурой, предусматривающая использование отбеливателя при температуре выше 60°C. Для отбеливания залейте отбеливатель, моющее средство и добавки в соответствующие ячейки (см параграф «Распределитель моющих средств»).

**НОЧНОЙ ЦИКЛ** (программа 9). Это бесшумный цикл, который можно включить ночью, экономя электроэнергию. Данная программа рассчитана на стирку синтетических и х/б вещей. По завершении цикла машина останавливается с водой в барабане; для слива и отжима нажмите кнопку START/PAUSE, в противном случае по прошествии 8 часов машина автоматически произведет слив воды и отжим.

**ДЕТСКОЕ БЕЛЬЁ** (программа 10). Программа удаляет типичные загрязнения детской одежды, гарантируя удаление моющего средства из ткани во избежание аллергии чувствительной детской кожи. Данный цикл рассчитан на сокращение количества бактерий благодаря использованию большего объема воды и оптимизируя воздействие специальных дезинфицирующих добавок старильного вещества. По завершении стирки машина продолжит медленно вращать барабан во избежание сминания белья. Для остановки цикла нажмите кнопку START/PAUSE

# Персонализированные настройки

## Регулировка температуры

Настройка температуры стирки производится при помощи регулятора ТЕМПЕРАТУРЫ (см. *Таблицу программ*). Значение температуры может быть уменьшено вплоть до стирки в холодной воде (☹).

Машина автоматически не допускает выбор температуры, превышающий максимальное значение, предусмотренное для каждой программы.

! Исключение: при выборе программы  температура может быть увеличена до 90°.

## Выбор скорости отжима

Выбор скорости отжима выбранной программы производится при помощи регулятора скорости ОТЖИМ.

Для разных программ предусматривается разная максимальная скорость отжима:

Программы	Максимальная скорость отжима
Хлопок	1000 оборотов в минуту
Синтетические ткани	800 оборотов в минуту
Шерсть	800 оборотов в минуту
Шелк	без отжима

Скорость отжима может быть уменьшена, или же отжим может быть совсем исключен, повернув регулятор в положение ☹.

Машина автоматически не допускает выбор скорости отжима, превышающий максимальную скорость, предусмотренную для каждой программы.

## Дополнительные функции

Различные функции стирки машины позволяют достичь желаемой чистоты и белизны вашего белья.

Порядок выбора функций:

1. нажмите кнопку нужной вам функции;
2. включение соответствующего индикатора означает, что функция включена.

Примечание: Частое мигание индикатора означает, что данная функция не может быть выбрана для заданной программы.

## Таймер отсрочки

Задерживает запуск цикла вплоть до 12 часов.

Нажмите кнопку несколько раз вплоть до включения индикатора, соответствующего нужному значению задержки.

При пятом нажатии кнопки функция отключается.

ПРИМЕЧАНИЕ: После нажатия кнопки START/PAUSE, можно изменить значение задержки только в сторону уменьшения.

! Эта функция совместима с любой программой.

## Легкая глажка

При выборе этой функции циклы стирки и отжима изменяются таким образом, чтобы сократить складки на белье.



По завершении цикла машина производит медленное вращение барабана.

При выборе программы 11 машина завершает цикл без слива воды, и Индикатор функции ЛЕГКАЯ ГЛАЖКА и индикатор START/PAUSE мигают (оранжевым цветом), индикатор фазы "Полоскание" горит, не мигая. Для слива воды и выгрузки белья необходимо нажать кнопку START/PAUSE или кнопку ЛЕГКАЯ ГЛАЖКА.

! Эта функция несовместима с программами 6, 7, 8, 9, 10, 13, , , .

## Дополнительное Полоскание

При выборе этой функции повышается эффективность ополаскивания, обеспечивая максимальное удаление моющего вещества. Эта функция особенно удобна для людей с кожей, чувствительной к стиральным веществам.

! Эта функция несовместима с программами 6, 7, , .

## Суперстирка

Обеспечивает оптимальную стирку благодаря использованию большего объема воды в начале цикла и большей продолжительности цикла.

! Эта функция несовместима с программами 4, 6, 7, 8, 12, 13, , , .

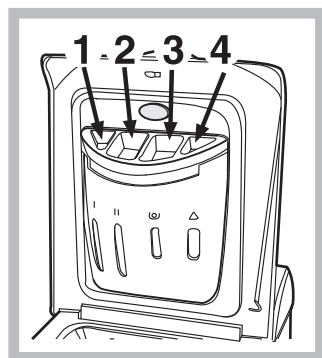
# Моющие средства и типы белья

CIS

## Распределитель моющих средств

Хороший результат стирки зависит также от правильной дозировки моющего средства: его избыток не гарантирует более эффективную стирку, напротив может привести к образованию налетов внутри машины и загрязнению окружающей среды.

! Не используйте моющие средства для ручной стирки, так как они образуют слишком много пены.



Выдвиньте распределитель и заполните его отделения моющим средством и смягчителем:

**Отделение 1: моющее средство для предварительной стирки (порошок)**

**ячейка 2: Стиральное вещество (порошок или жидкость)**

Жидкое стиральное вещество следует помещать непосредственно в барабан в специальном круглом пластмассовом дозаторе.

**ячейка 3: Добавки (ополаскиватель и т.д.)**

Когда вы наливаете ополаскиватель в ячейку **3**, обращайте внимание, чтобы не превысить максимальный уровень, указанный отметкой «max». Ополаскиватель автоматически подается в барабан в процессе последнего ополаскивания. По завершении программы стирки в ячейке **3** остается вода. Она необходима для подачи в барабан очень густых ополаскивателей, т.е. для разбавления концентрированных ополаскивателей. Если в ячейке **3** останется воды больше нормального, это значит, что канал слива ополаскивателя в барабан засорился. Смотрите описание чистки ячеек на *стр. "Техническое обслуживание и уход"*.

**ячейка 4: Цикл отбеливания**

## Отбеливание

Отбеливание производится только с программами **8**. Добавьте отбеливатель в чашу **4**, моющее средство и ополаскиватель в соответствующие отделения, затем выберите одну из вышеуказанных программ. Рекомендуется только для очень грязного х/б белья.

## Подготовка белья

- Разделите белье по следующим признакам:
  - тип ткани / обозначения на этикетке.
  - цвет: отделите цветное белье от белого.
- Выньте из карманов все предметы и проверьте пуговицы.
- Не превышайте значения, указанные в «Таблице программ», указывающие вес сухого белья.

## Сколько весит белье?

- 1 простыня 400-500 гр.
- 1 наволочка 150-200 гр.
- 1 скатерть 400-500 гр.
- 1 халат 900-1200 гр.
- 1 полотенце 150-250 гр.

## Изделия, требующие деликатной стирки

**Рубашки:** используйте специальную программу **11** для стирки рубашек из разных тканей и разных цветов.

Это обеспечит максимальную сохранность вещей и сделает их менее мятыми.

**Шелк:** используйте специальную программу **12** для стирки всех шелковых вещей. Рекомендуется использовать специальное стиральное вещество для деликатных тканей.

**Занавески:** сверните и положите в наволочку или в сетчатый мешочек. Используйте программу **12**.

**Шерсть:** Цикл стирки «Шерсть» данной стиральной машины Hotpoint-Ariston прошел тестирование и был твержден Компанией Woolmark Company для стирки шерстяных изделий, классифицированных как «для ручной стирки» с тем, чтобы тирка выполнялась в соответствии с инструкциями на этикетке вещи и инструкциями, прилагаемым изготовителем бытового электроприбора. Hotpoint-Ariston – это первая марка стиральных машин, получившая от Woolmark Company сертификацию Woolmark Apparel Care - Platinum за качество стирки и за экономный расход воды и электроэнергии.



## Система балансировки белья

Перед каждым отжимом во избежание чрезмерных вибраций и для равномерного распределения белья в барабане машина производит вращения со скоростью, слегка превышающей скорость стирки. Если после нескольких попыток белье не будет правильно сбалансировано, машина произведет отжим на меньшей скорости по сравнению с предусмотренной.

# Предосторожности и рекомендации

! Стиральная машина спроектирована и изготовлена в соответствии с международными нормативами по безопасности. Необходимо внимательно прочитать настоящие предупреждения, составленные в целях вашей безопасности.

## Общие требования к безопасности

- Данное изделие предназначено исключительно для домашнего использования.
- Не разрешайте пользоваться машиной лицам (включая детей) с ограниченными физическими, сенсорными, умственными способностями и не обладающих достаточными знаниями и опытом, если только они не пользуются машиной под наблюдением и после инструктажа со стороны лиц, ответственных за их безопасность. Не разрешайте детям играть с машиной.
- Не прикасайтесь к изделию влажными руками, босиком или во влажной одежде.
- Не тяните за сетевой кабель для отсоединения изделия из электро розетки, возьмитесь за вилку рукой.
- Избегайте контактов со сливаемой водой, так как она может быть очень горячей.
- Категорически запрещается открывать люк силой: это может привести к повреждению защитного механизма, предохраняющего от случайного открытия машины.
- В случае неисправности категорически запрещается открывать внутренние механизмы изделия с целью их самостоятельного ремонта.
- Избегайте контактов детей с работающей стиральной машиной.
- При необходимости переместить стиральную машину следует выполнять эту операцию вдвоем или втроем с предельной осторожностью. Никогда не перемещайте машину в одиночку, так как машина очень тяжелая.
- Перед загрузкой в стиральную машину белья проверьте, чтобы барабан был пуст.

## Утилизация

- Уничтожение упаковочных материалов: соблюдайте местные нормативы с целью повторного использования упаковочных материалов.
- Согласно Европейской Директиве 2002/96/CE касательно утилизации электронных и электрических электроприборов электроприборы не должны выбрасываться вместе с обычным городским мусором. Выведенные из строя приборы должны собираться отдельно для оптимизации их утилизации и рекуперации составляющих их материалов, а также для безопасности окружающей среды и здоровья. Символ зачеркнутая мусорная корзина, имеющийся на всех приборах, служит напоминанием об их отдельной утилизации.

За более подробной информацией о правильной утилизации бытовых электроприборов пользователи могут обратиться в специальную государственную организацию или в магазин.

## Экономия энергии и охрана окружающей среды

### Экономия моющих средств, воды, электроэнергии и времени

- Для экономии ресурсов следует максимально загружать стиральную машину. Один цикл стирки при полной загрузке вместо двух циклов с наполовину загруженным барабаном позволяет сэкономить до 50% электроэнергии.
- Цикл предварительной стирки необходим только для очень грязного белья. При цикле предварительной стирки расходуется больше стирального порошка, времени, воды и на 5 – 15% больше электроэнергии.
- Если вы обработаете пятна пятновыводителем или замочите белье перед стиркой, это поможет избежать стирки при высоких температурах. Использование программы стирки при 60°C вместо 90°C, или 40°C вместо 60°C позволяет сэкономить до 50% электроэнергии.
- Правильная дозировка стирального порошка в зависимости от жесткости воды, степени загрязнения и объема загружаемого белья помогает избежать нерационального расхода моющего средства и загрязнения окружающей среды: хотя стиральные порошки и являются биоразлагаемыми, они содержат вещества, отрицательно влияющие на экологию. Кроме того, по возможности избегайте использовать ополаскиватели.
- Использование стиральной машины утром или вечером уменьшит пиковую нагрузку на электросеть. С помощью функции «Таймер отсрочки» можно запрограммировать начало стирки с вышеуказанной целью.
- Если белье должно сушиться в автоматической сушке, необходимо выбрать большую скорость отжима. Интенсивный отжим экономит время и электроэнергию при автоматической сушке.



# Техническое обслуживание и уход

CIS

## Отключение воды и электричества

- Перекрывайте водопроводный кран после каждой стирки. Таким образом сокращается износ водопроводной системы стиральной машины и устраняется вероятность протечек.
- Всегда вынимайте вилку из розетки перед мойкой и обслуживанием машины.

## Уход за стиральной машиной

Внешние и резиновые части машины очищайте мягкой тканью с теплой мыльной водой. Не используйте растворители или абразивные чистящие средства.

## Уход за дверцей машины и барабаном

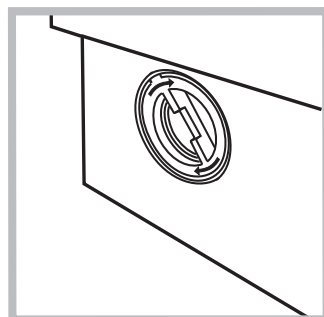
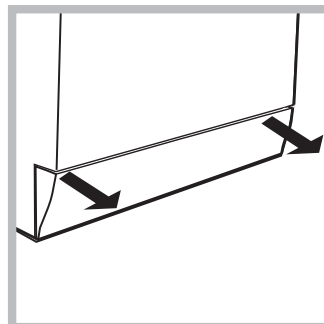
- После каждой стирки оставляйте дверцу машины полуоткрытой во избежание образования в барабане неприятных запахов и плесени.

## Чистка насоса

Стиральная машина имеет сливной насос самоочищающегося типа, который не требует очистки или особого обслуживания. Однако мелкие предметы (монеты, пуговицы и др.) могут случайно попасть в насос. Для их извлечения насос оборудован «уловителем» — фильтром, доступ к которому закрыт нижней передней панелью.

! Убедитесь, что цикл стирки закончился, и отключите оборудование от сети.

Как достать предметы, упавшие в пространство между барабаном и кожухом машины:



1. снимите нижний плинтус в передней части стиральной машины, потянув обеими руками за его края (смотрите рисунок);
2. выверните крышку фильтра, вращая ее против часовой стрелки (см. рис.): из насоса может вылиться немного воды – это нормальное явление.
3. тщательно прочистите фильтр изнутри;
4. заверните крышку обратно;
5. установите на место переднюю панель, предварительно

убедившись, что крюки вошли в соответствующие петли.

## Проверка заливного шланга

Проверяйте шланг не реже одного раза в год. При любых признаках течи или повреждения немедленно замените шланг. Во время работы машины неисправный шланг, находящийся под давлением воды, может внезапно лопнуть.

! Никогда не используйте шланги, бывшие в употреблении.

## Как чистить распределитель моющих средств

### Разборка:

Слепка нажмите на большую кнопку на передней стороне распределителя и вытяните его вверх (рис. 1, 2).

### Чистка:

Затем промойте распределитель под струей воды (рис. 3), используя старую зубную щетку. Выньте пару сифонов, вставленных в вершину отделений 1 и 2 (рис. 4), проверьте не забиты ли они и промойте их.

### Сборка:

Установите пару сифонов в специальные отверстия и затем поместите распределитель на место, вставляя его до щелчка (рис. 4, 2, 1).



рис. 1

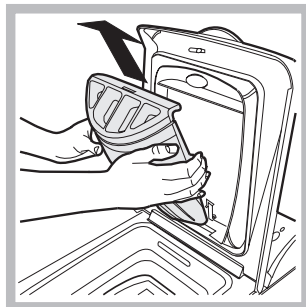


рис. 2

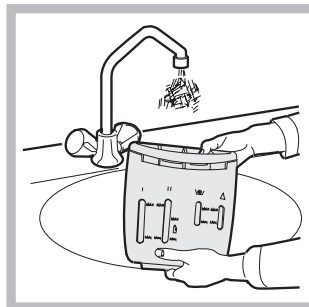


рис. 3

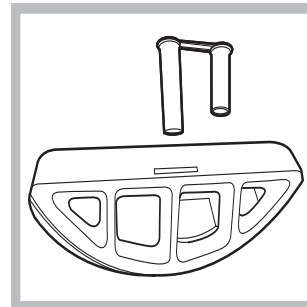


рис. 4



# Поиск неисправностей и методы их устранения

Если ваша стиральная машина не работает. Прежде чем обратиться в Центр Сервисного обслуживания (см. *Сервисное обслуживание*), проверьте, можно ли устранить неисправность, следуя рекомендациям, приведенным в следующем перечне.

## Неисправности:

## Возможные причины / Методы устранения:

**Стиральная машина не включается.**

- Штепсельная вилка не соединена с электро розеткой или отходит и не обеспечивает контакта.
- В доме отключено электричество.

**Цикл стирки не запускается.**

- Люк плохо закрыт.
- Не была нажата кнопка ВКЛ/ВЫКЛ.
- Не была нажата кнопка ПУСК/ПАУЗА.
- Перекрыт водопроводный кран.
- Была запрограммирована задержка запуска цикла (Таймер отсрочки, (см. «Персонализированные настройки»)).

**Стиральная машина не заливает воду (часто мигает индикатор первой фазы стирки).**

- Водопроводный шланг не подсоединен к крану.
- Шланг согнут.
- Перекрыт водопроводный кран.
- В доме нет воды.
- Недостаточное водопроводное давление.
- Не была нажата кнопка ПУСК/ПАУЗА.

**Машина непрерывно заливает и сливает воду.**

- Сливной шланг не находится на высоте 65 – 100 см. от пола (см. «Установка»).
- Конец сливного шланга погружен в воду (см. «Установка»).
- Настенное сливное отверстие не оснащено вантузом для выпуска воздуха.

Если после вышеперечисленных проверок неисправность не будет устранена, следует перекрыть водопроводный кран, выключить стиральную машину и обратиться в Центр Сервисного Обслуживания. Если ваша квартира находится на последних этажах здания, могут наблюдаться явления сифона, поэтому стиральная машина производит непрерывный залив и слив воды. Для устранения этой аномалии в продаже имеются специальные клапаны против явления сифона.

**Стиральная машина не сливает воду и не отжимает белье.**

- Выбранная программа не предусматривает слив воды: для некоторых программ необходимо включить слив вручную.
- Включена функция ЛЕГКАЯ ГЛАЖКА: для завершения программы нажмите кнопку ПУСК/ПАУЗА (см. «Персонализированные настройки»).
- Сливной шланг согнут (см. «Установка»).
- Засорен сливной трубопровод.

**Стиральная машина сильно вибрирует в процессе отжима.**

- В момент установки стиральной машины барабан был разблокирован неправильно (см. «Установка»).
- Стиральная машина установлена неровно (см. «Установка»).
- Машина зажата между стены и мебелью (см. «Установка»).

**Утечки воды из стиральной машины.**

- Плохо прикручен водопроводный шланг (см. «Установка»).
- Засорен распределитель моющего средства (порядок его чистки см. в параграфе «Техническое обслуживание и уход»).
- Сливной шланг плохо закреплен (см. «Установка»).

**Индикатор ПУСК/ПАУЗА (оранжевый) и индикаторы функций часто мигают.**

- Выключите машину и выньте штепсельную вилку из сетевой розетки, подождите 1 минуту и вновь включите машину. Если неисправность не устраняется, обратитесь в Сервисную Службу.

**В процессе стирки образуется слишком обильная пена.**

- Моющее средство непригодно для стирки в стиральной машине (на упаковке должно быть указано «для стирки в стиральной машине», «для ручной и машинной стирки» или подобное).
- В распределитель было помещено чрезмерное количество моющего средства.

# Сервисное обслуживание

CIS


## Перед тем как обратиться в Службу Сервиса:

- Проверьте, нельзя ли устранить неисправность самостоятельно (см. «Неисправности и методы их устранения»);
- Вновь запустите программу для проверки исправности машины;
- В протвном случае обратиться в Авторизованный Сервисный Центр по телефонам, указанным в гарантийном таллоне.

! Никогда не обращайтесь к неавторизованным сервисным центрам.

## При обращении в Сервисную Службу необходимо сообщить:

- тип неисправности;
- номер гарантийного документа (сервисной книжки, сервисного сертификата и т.п.);
- модель машины (Мод.) и серийный номер (S/N), указанные в информационной табличке, расположенной на задней панели стиральной машины.

Технические данные			
Модель	ARTXL 109	Программы управления в соответствии с Директивой EN 60456	программа $\langle \infty \text{C} \rangle$ ; температура 60°C; при загрузке до 6 кг.
Страна-изготовитель	Италия		
Габаритные размеры	ширина 40 см высота 85 см глубина 60 см		Данное изделие соответствует следующим Директивам Европейского Сообщества: - 2004/108/CE (Электромагнитная совместимость); - 2006/95/CE (Низкое напряжение); - 2002/96/CE
Вместимость	от 1 до 6 кг		
Номинальное значение напряжения электропитания или диапазон напряжения	220-240 V ~	В случае необходимости получения информации по сертификатам соответствия или получения копий сертификатов соответствия на данную технику, Вы можете отправить запрос по электронному адресу <a href="mailto:cert.rus@indesit.com">cert.rus@indesit.com</a> .	
Условное обозначение рода электрического тока или номинальная частота переменного тока	50 Hz		
Класс защиты от поражения электрическим током	Класс защиты I	<b>Дату производства данной техники можно получить из серийного номера, расположенного под штрих-кодом (S/N XXXXXXXXX), следующим образом</b>	- 1-ая цифра в S/N соответствует последней цифре года, - 2-ая и 3-я цифры в S/N - порядковому номеру месяца года, - 4-ая и 5-ая цифры в S/N - день
Водопроводное подсоединение	максимальное давление 1 МПа (10 бар) минимальное давление 0,05 МПа (0,5 бар) емкость барабана 42 литра		
Скорость отжима	до 1000 оборотов в минуту	Степень защиты от попадания твердых частиц и влаги, обеспечиваемая защитной оболочкой, за исключением низковольтного оборудования, не имеющего защиты от влаги: <b>IPX04</b>	
		Класс энергопотребления	A

**Производитель:** Indesit Company  
Виале А. Мерлони 47, 60044, Фабриано (АН), Италия

**Импортер:** ООО «Индезит РУС»

**С вопросами (в России) обращаться по адресу:** до 01.01.2011: Россия, 129223, Москва, Проспект Мира, ВВЦ, пав. 46  
с 01.01.2011: Россия, 127018, Москва, ул. Двинцев, дом 12, корп. 1



Italiano

**ARTXL 109**

### Sommario

#### **Installazione, 38-39**

Disimballo e livellamento  
Collegamenti idraulici ed elettrici  
Primo ciclo di lavaggio  
Dati tecnici

#### **Manutenzione e cura, 40**

Escludere acqua e corrente elettrica  
Pulire la lavabiancheria  
Curare coperchio e cestello  
Pulire la pompa  
Controllare il tubo di alimentazione dell'acqua  
Come pulire la vaschetta del detersivo

#### **Precauzioni e consigli, 41**

Sicurezza generale  
Smaltimento  
Risparmiare e rispettare l'ambiente

#### **Descrizione della lavabiancheria e avviare un programma, 42-43**

Pannello di controllo  
Spie  
Come aprire e chiudere il cestello  
Avviare un programma

#### **Programmi, 44**

Tabella dei programmi

#### **Personalizzazioni, 45**

Impostare la temperatura  
Impostare la centrifuga  
Funzioni

#### **Detersivi e biancheria, 46**

Cassetto dei detersivi  
Ciclo candeggio  
Preparare la biancheria  
Capi particolari  
Sistema bilanciamento del carico

#### **Anomalie e rimedi, 47**

#### **Assistenza, 48**

Assistenza Attiva 7 giorni su 7

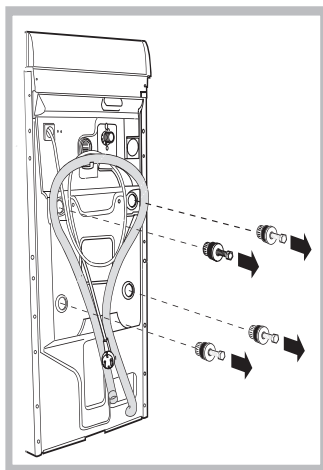
# Installazione

**!** È importante conservare questo libretto per poterlo consultare in ogni momento. In caso di vendita, di cessione o di trasloco, assicurarsi che resti insieme alla lavabiancheria per informare il nuovo proprietario sul funzionamento e sui relativi avvertimenti.

**!** Leggere attentamente le istruzioni: ci sono importanti informazioni sull'installazione, sull'uso e sulla sicurezza.

## Disimballo e livellamento

### Disimballo



1. Disimballare la lavabiancheria.

2. Controllare che la lavabiancheria non abbia subito danni nel trasporto. Se fosse danneggiata non collegarla e contattare il rivenditore.

3. Rimuovere le quattro viti di protezione per il trasporto e il gommino con il relativo distanziale, posti nella parte posteriore (vedi figura).

4. Chiudere i fori con i tappi di plastica in dotazione.

5. Conservare tutti i pezzi: qualora la lavabiancheria debba essere trasportata, dovranno essere rimontati.

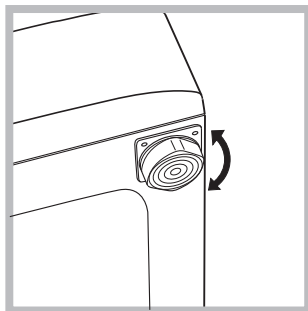
**Attenzione.** In caso di riutilizzo le viti più corte devono essere montate in alto.

**!** Gli imballaggi non sono giocattoli per bambini.

### Livellamento

La vostra lavabiancheria potrà essere rumorosa se i due piedini non sono regolati in modo che la stessa risulti perfettamente in piano.

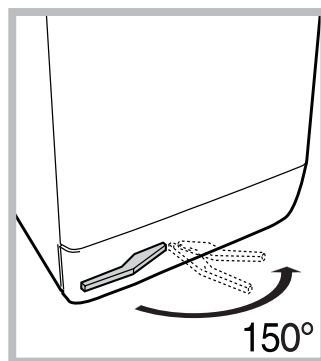
1. Installare la lavabiancheria su un pavimento piano e rigido, senza appoggiarla a muri, mobili o altro.



2. Se il pavimento non fosse perfettamente orizzontale, compensare le irregolarità svitando o avvitando i piedini anteriori posteriori (vedi figura); l'angolo di inclinazione, misurato sul piano di lavoro, non deve superare i 2°.

Un accurato livellamento dà stabilità alla macchina ed evita vibrazioni, rumori e spostamenti durante il funzionamento. In caso di moquette o di un tappeto, regolare i piedini in modo da conservare sotto la lavabiancheria uno spazio sufficiente per la ventilazione.

## Collocazione spostamenti

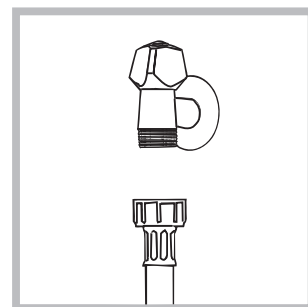


La tua lavatrice è dotata di uno speciale carrello con ruote retrattili puoi facilmente spostarla. Per far scendere questo carrello e poterla così muovere senza sforzo, è necessario tirare la leva nera, situata in basso a sinistra, sotto lo zoccolo. Ultimato lo spostamento

riportarla nella posizione iniziale. La macchina a questo punto è saldamente collocata (vedi figura).

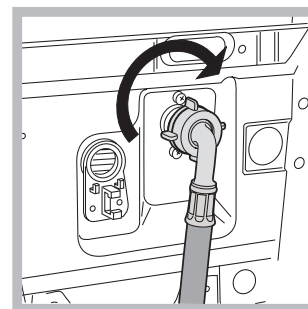
## Collegamenti idraulici ed elettrici

### Collegamento del tubo di alimentazione dell'acqua



1. Collegare il tubo di alimentazione avvitandolo a un rubinetto d'acqua fredda con bocca filettata da 3/4 gas (vedi figura).

Prima di allacciare, far scorrere l'acqua finché non sia limpida.



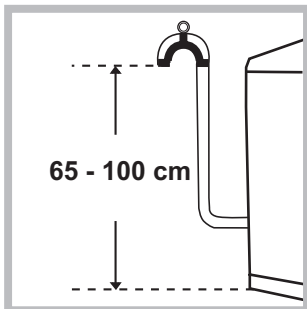
2. Collegare il tubo di alimentazione alla lavabiancheria avvitandolo all'apposita presa d'acqua, nella parte posteriore in alto a destra (vedi figura).

3. Fare attenzione che nel tubo non ci siano né pieghe né strozzature.

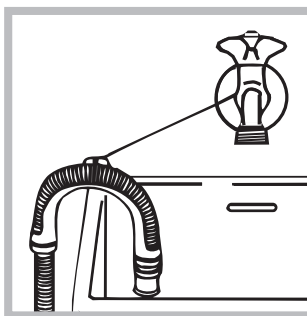
**!** La pressione idrica del rubinetto deve essere compresa nei valori della tabella Dati tecnici (vedi pagina a fianco).

**!** Se la lunghezza del tubo di alimentazione non fosse sufficiente, rivolgersi a un negozio specializzato o a un tecnico autorizzato.

## Collegamento del tubo di scarico



Collegare il tubo di scarico, senza piegarlo, a una condotta di scarico o a uno scarico a muro posti tra 65 e 100 cm da terra;



oppure appoggiarlo al bordo di un lavandino o di una vasca, legando la guida in dotazione al rubinetto (vedi figura). L'estremità libera del tubo di scarico non deve rimanere immersa nell'acqua.

! È sconsigliato usare tubi di prolunga; se indispensabile, la prolunga deve avere lo stesso diametro del tubo originale e non superare i 150 cm.

## Collegamento elettrico

Prima di inserire la spina nella presa della corrente, accertarsi che:

- la presa abbia la messa a terra e sia a norma di legge;
- la presa sia in grado di sopportare il carico massimo di potenza della macchina, indicato nella tabella Dati tecnici (vedi a fianco);
- la tensione di alimentazione sia compresa nei valori indicati nella tabella Dati tecnici (vedi a fianco);
- la presa sia compatibile con la spina della lavabiancheria. In caso contrario sostituire la presa o la spina.

! La lavabiancheria non va installata all'aperto, nemmeno se lo spazio è riparato, perché è molto pericoloso lasciarla esposta a pioggia e temporali.

! A lavabiancheria installata, la presa della corrente deve essere facilmente raggiungibile.

! Non usare prolunghe e multiple.

! Il cavo non deve subire piegature o compressioni.

! Il cavo di alimentazione deve essere sostituito solo da tecnici autorizzati.

Attenzione! L'azienda declina ogni responsabilità qualora queste norme non vengano rispettate.

## Primo ciclo di lavaggio

Dopo l'installazione, prima dell'uso, effettuare un ciclo di lavaggio con detersivo e senza biancheria impostando il programma  $\langle 60^{\circ}\text{C} \rangle$ .

### Dati tecnici

**Modello** ARTXL 109

**Dimensioni**  
larghezza cm 40  
altezza cm 85  
profondità cm 60

**Capacità** da 1 a 6 kg

**Collegamenti elettrici** Vedi targhetta caratteristiche tecniche applicata sulla macchina

**Collegamenti idrici**  
pressione massima 1 MPa (10 bar)  
pressione minima 0,05 MPa (0,5 bar)  
capacità del cesto 42 litri

**Velocità di centrifuga** sino a 1000 giri al minuto

**Programmi di controllo secondo la direttiva 1061/2010 e 1015/2010**  
Programma  $\langle 60^{\circ}\text{C} \rangle$ ;  
Cotone Standard 60°C.  
Programma  $\langle 40^{\circ}\text{C} \rangle$ ;  
Cotone Standard 40°C.



Questa apparecchiatura è conforme alle seguenti Direttive Comunitarie:  
- 2004/108/CE (Compatibilità Elettromagnetica)  
- 2006/95/CE (Bassa Tensione)  
- 2002/96/CE

# Manutenzione e cura

## Escludere acqua e corrente elettrica

- Chiudere il rubinetto dell'acqua dopo ogni lavaggio. Si limita così l'usura dell'impianto idraulico della lavabiancheria e si elimina il pericolo di perdite.
- Staccare la spina della corrente quando si pulisce la lavabiancheria e durante i lavori di manutenzione.

## Pulire la lavabiancheria

La parte esterna e le parti in gomma possono essere puliti con un panno imbevuto di acqua tiepida e sapone. Non usare solventi o abrasivi.

## Curare Coperchio e cestello

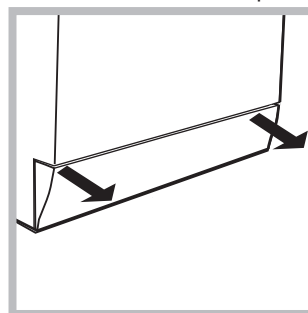
- Lasciare sempre socchiuso il coperchio per evitare che si formino cattivi odori.

## Pulire la pompa

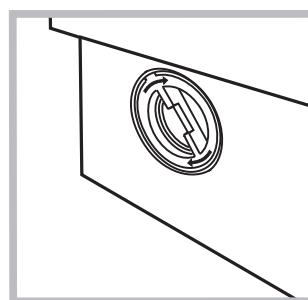
La lavabiancheria è dotata di una pompa autopulente che non ha bisogno di manutenzione. Può però succedere che piccoli oggetti (monete, bottoni) cadano nella precamera che protegge la pompa, situata nella parte inferiore di essa.

! Assicurarsi che il ciclo di lavaggio sia terminato e staccare la spina.

Per accedere alla precamera:



1. rimuovere il pannello di copertura sul lato anteriore della lavabiancheria con l'ausilio di un giravite (vedi figura);
2. svitare il coperchio ruotandolo in senso antiorario (vedi figura); è normale che fuoriesca un po' d'acqua;



3. pulire accuratamente l'interno;
4. riavvitare il coperchio;
5. rimontare il pannello assicurandosi, prima di spingerlo verso la macchina, di aver inserito i ganci nelle apposite asole.

## Controllare il tubo di alimentazione dell'acqua

Controllare il tubo di alimentazione almeno una volta all'anno. Se presenta screpolature e fessure va sostituito: durante i lavaggi le forti pressioni potrebbero provocare improvvise spaccature.

! Non utilizzare mai tubi già usati.

## Come pulire la vaschetta del detersivo

### Smontaggio:

Esercitare una leggera pressione sul pulsante sulla parte anteriore del cassetto detersivo e tirarlo verso l'alto (fig. 1, 2).



Fig. 1

### Pulizia:

Pulire quindi il cassetto sotto il rubinetto (fig. 3) utilizzando anche un semplice spazzolino da denti e, sfilata la coppia di sifoncini inseriti nella parte superiore degli scomparti 1 e 2 (fig. 4), controllare che gli stessi non siano ostruiti e risciacquarli.

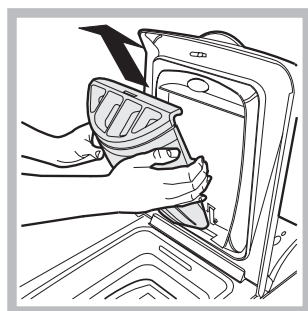


Fig. 2

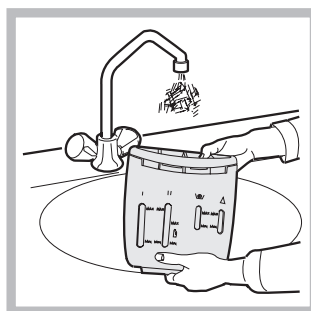


Fig. 3

### Rimontaggio:

Non dimenticare di reinserire la coppia di sifoncini negli appositi alloggiamenti e rimettere infine il cassetto nella sua sede agganciandolo (fig. 4, 2, 1).

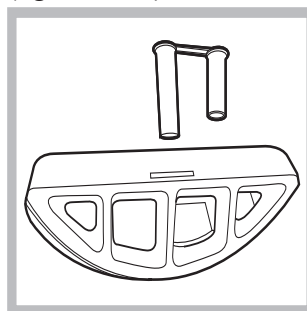


Fig. 4



# Precauzioni e consigli

! La lavabiancheria è stata progettata e costruita in conformità alle norme internazionali di sicurezza. Queste avvertenze sono fornite per ragioni di sicurezza e devono essere lette attentamente.

## Sicurezza generale

- Questo apparecchio è stato concepito esclusivamente per un uso di tipo domestico.
- Questo apparecchio può essere usato da bambini da 8 anni in su e da persone con capacità fisiche, sensoriali o mentali ridotte o con esperienza e conoscenze insufficienti se sono supervisionati o se hanno ricevuto adeguata formazione in merito all'uso dell'apparecchio in modo sicuro e capendo i pericoli connessi. I bambini non devono giocare con l'apparecchio. Manutenzione e pulizia non devono essere effettuati dai bambini senza supervisione.
- Non toccare la macchina a piedi nudi o con le mani o i piedi bagnati o umidi.
- Non staccare la spina dalla presa della corrente tirando il cavo, bensì afferrando la spina.
- Non toccare l'acqua di scarico, che può raggiungere temperature elevate.
- Non forzare in nessun caso il coperchio: potrebbe danneggiarsi il meccanismo di sicurezza che protegge da aperture accidentali.
- In caso di guasto, in nessun caso accedere ai meccanismi interni per tentare una riparazione.
- Controllare sempre che i bambini non si avvicinino alla macchina in funzione.
- Se dev'essere spostata, lavorare in due o tre persone con la massima attenzione. Mai da soli perché la macchina è molto pesante.
- Prima di introdurre la biancheria controlla che il cestello sia vuoto.

## Smaltimento

- Smaltimento del materiale di imballaggio: attenersi alle norme locali, così gli imballaggi potranno essere riutilizzati.
- La direttiva Europea 2002/96/CE sui rifiuti di apparecchiature elettriche ed elettroniche, prevede che gli elettrodomestici non debbano essere smaltiti nel normale flusso dei rifiuti solidi urbani. Gli apparecchi dismessi devono essere raccolti separatamente per ottimizzare il tasso di recupero e riciclaggio dei materiali che li compongono ed impedire potenziali danni per la salute e l'ambiente. Il simbolo del cestino barrato è riportato su tutti i prodotti per ricordare gli obblighi di raccolta separata.

Per ulteriori informazioni, sulla corretta dismissione degli elettrodomestici, i detentori potranno rivolgersi al servizio pubblico preposto o ai rivenditori.

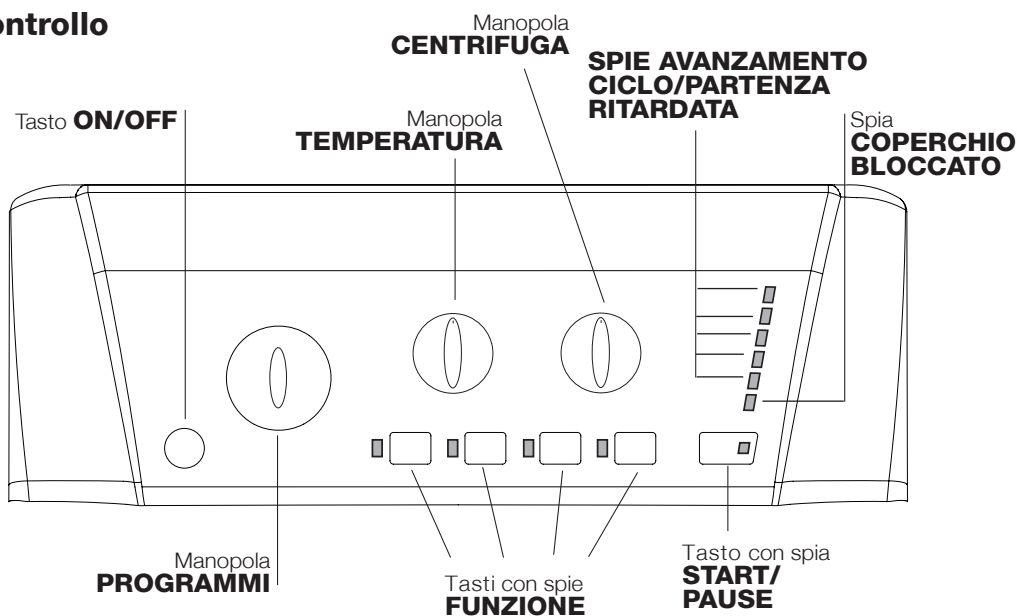
## Risparmiare e rispettare l'ambiente

### Tecnologia a servizio dell'ambiente: risparmiare detersivo, acqua, energia e tempo

- Per non sprecare risorse bisogna utilizzare la lavabiancheria con il massimo carico. Un carico pieno al posto di due mezzi fa risparmiare fino al 50% di energia.
- Il prelavaggio è necessario solo per biancheria molto sporca. Evitarlo fa risparmiare detersivo, tempo, acqua e tra il 5 e il 15% di energia.
- Trattando le macchie con uno scioglimacchia o lasciandole in ammollo prima del lavaggio, si riduce la necessità di lavare ad alte temperature. Un programma a 60°C invece di 90°C o uno a 40°C invece di 60°C, fa risparmiare fino al 50% di energia.
- Dosare bene il detersivo in base alla durezza dell'acqua, al grado di sporco e alla quantità di biancheria evita sprechi e protegge l'ambiente: pur biodegradabili, i detersivi contengono elementi che alterano l'equilibrio della natura. Inoltre evitare il più possibile l'ammorbidente.
- Effettuando i lavaggi dal tardo pomeriggio fino alle prime ore del mattino si collabora a ridurre il carico di assorbimento delle aziende elettriche. La funzione "Partenza Ritardata" aiuta molto a organizzare i lavaggi in tal senso.
- Se il bucato deve essere asciugato in un asciugatore, selezionare un'alta velocità di centrifuga. Poca acqua nel bucato fa risparmiare tempo ed energia nel programma di asciugatura.

# Descrizione della lavabiancheria e avviare un programma

## Pannello di controllo



Tasto **ON/OFF**: per accendere e spegnere la lavabiancheria.

Manopola **PROGRAMMI**: per impostare i programmi. Durante il programma la manopola resterà ferma.

Tasti **FUNZIONE**: per selezionare le funzioni disponibili. La spia relativa alla funzione selezionata rimarrà accesa.

Manopola **CENTRIFUGA**: per impostare la centrifuga o escluderla (vedi "Personalizzazioni").

Manopola **TEMPERATURA**: per impostare la temperatura o il lavaggio a freddo (vedi "Personalizzazioni").

**SPIE AVANZAMENTO CICLO/PARTENZA RITARDATA**: per seguire lo stato di avanzamento del programma di lavaggio. La spia accesa indica la fase in corso. Se è stata impostata la funzione "Partenza Ritardata", indicheranno il tempo mancante all'avvio del programma (vedi pagina a fianco).

Spia **COPERCHIO BLOCCATO**: per capire se il coperchio è apribile (vedi pagina a fianco).

Tasto **START/PAUSE**: per avviare i programmi o interromperli momentaneamente.

**N.B.:** per mettere in pausa il lavaggio in corso, premere questo tasto, la spia relativa lampeggerà con colore arancione mentre quella della fase in corso sarà accesa fissa. Se la spia **COPERCHIO BLOCCATO**  $\Rightarrow$   $\circ$  sarà spenta, si potrà aprirlo. Per far ripartire il lavaggio dal punto in cui è stato interrotto, premere nuovamente questo tasto.

### Modalità stand by

Questa lavatrice, in conformità alle nuove normative legate al risparmio energetico, è dotata di un sistema di autospegnimento (stand by) che entra in funzione dopo circa 30 minuti nel caso di non utilizzo.

Premere brevemente il tasto ON/OFF e attendere che la macchina si riattivi.

Consumo in off-mode: 0,5 W

Consumo in Left-on: 0,5 W

### Spie

Le spie forniscono informazioni importanti. Ecco che cosa dicono:

#### Partenza ritardata

Se è stata attivata la funzione "Partenza ritardata" (vedi "Personalizzazioni"), dopo avere avviato il programma, inizierà a lampeggiare la spia relativa al ritardo selezionato:



Col trascorrere del tempo verrà visualizzato il ritardo residuo con il lampeggio della spia relativa:



Trascorso il ritardo selezionato la spia lampeggiante si spengherà e avrà inizio il programma impostato.

#### Spie fase in corso

Una volta selezionato e avviato il ciclo di lavaggio desiderato, le spie si accenderanno progressivamente per indicarne lo stato di avanzamento:

Lavaggio	
Risciacquo	
Centrifuga	
Scarico	
Fine lavaggio	END 

### Tasti funzione e relative spie

Selezionando una funzione la spia relativa si illuminerà. Se la funzione selezionata non è compatibile con il programma impostato la spia relativa lampeggerà e la funzione non verrà attivata.

Nel caso venga impostata una funzione incompatibile con un'altra precedentemente selezionata rimarrà attiva solo l'ultima scelta.

### Spia coperchio bloccato

La spia accesa indica che il coperchio è bloccato per impedire aperture accidentali; per evitare danni è necessario attendere che la spia si spenga prima di aprirlo. L'attesa è di tre minuti circa.

**N.B.:** se è attiva la funzione "Partenza Ritardata" il coperchio non si può aprire, per aprirlo mettere la macchina in pausa premendo il tasto START/PAUSE.

! Il lampeggio veloce della spia START/PAUSE (arancione) contemporaneo a quello delle funzioni segnala un'anomalia (vedi "Anomalie e rimedi").

### Come aprire e chiudere il cestello

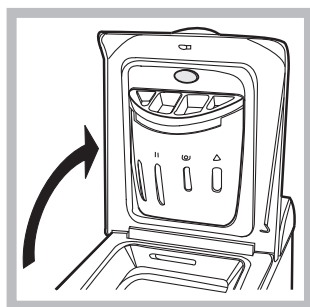


Fig. 1

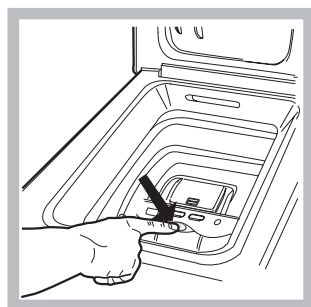


Fig. 2



Fig. 3

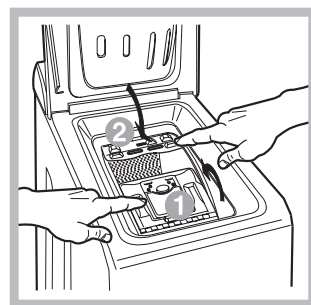


Fig. 4

### A) Apertura coperchio superiore (Fig. 1):

Sollevarlo il coperchio esterno ed aprirlo completamente.

### B) Apertura cestello (Soft opening):

Con un dito premere il pulsante indicato nella fig. 2 ed il cestello si aprirà delicatamente.

### C) Introduzione biancheria (Fig. 3):

### D) Chiusura (Fig. 4):

- richiudere bene il cestello abbassando prima lo sportello anteriore ed appoggiandovi quindi quello posteriore;
- assicurarsi quindi che i ganci dello sportello anteriore siano perfettamente alloggiati nella sede dello sportello posteriore;
- dopo aver sentito il "clac" dell'avvenuto aggancio, esercitare una lieve pressione verso il basso su entrambi gli sportelli che non devono sganciarsi;
- chiudere infine il coperchio esterno.

### Avviare un programma

1. Accendere la lavabiancheria premendo il tasto ON/OFF. Tutte le spie si accenderanno per qualche secondo, poi rimarranno accese le spie relative alle impostazioni del programma selezionato e pulserà la spia START/PAUSE.

2. Caricare la biancheria, chiudere gli sportelli e il coperchio.

3. Impostare con la manopola PROGRAMMI il programma desiderato.

4. Impostare la temperatura di lavaggio (vedi "Personalizzazioni").

5. Impostare la velocità di centrifuga (vedi "Personalizzazioni").

6. Versare detersivo e additivi (vedi "Detersivi e biancheria").

7. Selezionare le funzioni desiderate.

8. Avviare il programma premendo il tasto START/PAUSE e la spia relativa rimarrà accesa fissa di colore verde. Per annullare il ciclo impostato mettere la macchina in pausa premendo il tasto START/PAUSE e scegliere un nuovo ciclo.

9. Al termine del programma si illuminerà la spia END. La spia COPERCHIO BLOCCATO si spegnerà indicando che il coperchio è apribile. Estrarre la biancheria e lasciare il coperchio socchiuso per far asciugare il cestello. Spegnerla lavabiancheria premendo il tasto ON/OFF.

# Programmi

## Tabella dei programmi

Programmi	Descrizione del Programma	Temp. max. (°C)	Velocità max. (giri al minuto)	Detersivi				Carico max. (Kg)	Umidità residua %	Consumo energia kWh	Acqua totale lt	Durata ciclo
				Prelavaggio	Candeggina	Lavaggio	Ammorbidente					
1	<b>Cotone + Prelavaggio:</b> Bianchi estremamente sporchi.	90°	1000	●	-	●	●	6	62	1,92	67	160'
◀60°C	<b>Cotone Standard 60° (1):</b> Bianchi e colorati resistenti molto sporchi.	60° (Max. 90°)	1000	-	-	●	●	6	62	1,04	50,0	165'
◀40°C	<b>Cotone Standard 40° (2):</b> Bianchi e colorati delicati poco sporchi.	40°	1000	-	-	●	●	6	62	1,09	92	160'
4	<b>Cotone Standard 20°:</b> Bianchi e colorati delicati poco sporchi.	20°	1000	-	-	●	●	6	-	-	-	180'
5	<b>Sintetici:</b> Colori resistenti molto sporchi.	60°	800	-	-	●	●	3	44	0,85	39	110'
5	<b>Sintetici (3):</b> Colori resistenti poco sporchi.	40°	800	-	-	●	●	3	44	0,53	39	100'
6	<b>Mix 30':</b> Per rinfrescare rapidamente capi poco sporchi (non indicato per lana, seta e capi da lavare a mano).	30°	800	-	-	●	●	3	71	0,25	33	30'
7	<b>Mix 15':</b> Per rinfrescare rapidamente capi poco sporchi (non indicato per lana, seta e capi da lavare a mano).	30°	800	-	-	●	●	1,5	71	0,08	29	15'
8	<b>Sanitary:</b> Bianchi estremamente sporchi.	90°	1000	-	●	●	●	6	-	-	-	180'
9	<b>Buonanotte:</b> Colori delicati poco sporchi.	40°	800	-	-	●	●	4	-	-	-	280'
10	<b>Ciclo Baby:</b> Colori delicati molto sporchi.	40°	800	-	-	●	●	2	-	-	-	120'
11	<b>Camicie</b>	40°	600	-	-	●	●	2	-	-	-	80'
12	<b>Seta/Tende:</b> Per capi in seta, viscosa, lingerie.	30°	0	-	-	●	●	1	-	-	-	55'
13	<b>Lana:</b> Per lana, cachemire, ecc.	40°	800	-	-	●	●	1	-	-	-	65'
A	Risciacquo	-	1000	-	-	-	●	6	-	-	-	36'
B	Centrifuga	-	1000	-	-	-	-	6	-	-	-	16'
C	Scarico	-	0	-	-	-	-	6	-	-	-	2'

La durata del ciclo indicata sul display o sul libretto è una stima calcolata in base a condizioni standard. Il tempo effettivo può variare in base a numerosi fattori quali la temperatura e la pressione dell'acqua in ingresso, la temperatura ambiente, la quantità di detersivo, la quantità ed il tipo di carico, il bilanciamento del carico, le opzioni aggiuntive selezionate.

### 1) Programma di controllo secondo la direttiva 1061/2010: impostare il programma ◀60°C con una temperatura di 60°C.

Questo ciclo è adatto per pulire un carico di cotone normalmente sporco ed è il più efficiente in termini di consumo combinato di energia e di acqua, da usare su capi lavabili a 60 °C. La temperatura effettiva di lavaggio può differire da quella indicata.

### 2) Programma di controllo secondo la direttiva 1061/2010: impostare il programma ◀40°C con una temperatura di 40°C.

Questo ciclo è adatto per pulire un carico di cotone normalmente sporco ed è il più efficiente in termini di consumo combinato di energia e di acqua, da usare su capi lavabili a 40°C. La temperatura effettiva di lavaggio può differire da quella indicata.

### Per tutti Test Institutes:

#### 2) Programma cotone lungo: impostare il programma ◀40°C con una temperatura di 40°C.

#### 3) Programma sintetico lungo: impostare il programma 5 con una temperatura di 40°C.

**Cotone Standard 20°** (programma 4). Ideale per carichi in cotone sporchi. Le buone performance anche a freddo, comparabili con un lavaggio a 40°, sono garantite da un'azione meccanica che lavora con variazione di velocità a picchi ripetuti e ravvicinati.

**Mix 30'** (programma 6) è studiato per lavare capi leggermente sporchi in poco tempo: dura solo 30 minuti e fa così risparmiare energia e tempo. Impostando il programma (6 a 30°C) è possibile lavare insieme tessuti di diversa natura (esclusi lana e seta) con un carico massimo di 3 kg.

**Mix 15'** (programma 7) è studiato per lavare capi leggermente sporchi in poco tempo: dura solo 15 minuti e fa così risparmiare energia e tempo. Impostando il programma (7 a 30°C) è possibile lavare insieme tessuti di diversa natura (esclusi lana e seta) con un carico massimo di 1,5 kg.

**Sanitary** (programma 8). Un programma igienizzante ad alte temperature che prevede l'uso della candeggina con temperature superiori a 60°C. Per candeggiare versare la candeggina i detersivi e gli additivi nei relativi scomparti (vedi paragrafo "Cassetto dei detersivi").

**Buonanotte** (programma 9). E' un ciclo silenzioso che può lavorare di notte quando la tariffa energetica è ridotta. Il programma è studiato per capi sintetici e di cotone. Alla fine del ciclo la macchina si ferma con l'acqua in vasca; per effettuare la centrifuga e lo scarico premere il tasto START/PAUSE, altrimenti dopo 8 ore la macchina effettuerà automaticamente la centrifuga e lo scarico dell'acqua.

**Ciclo Baby** (programma 10). Programma in grado di asportare lo sporco tipico dei bambini garantendo la rimozione del detersivo dai panni onde evitare allergie alla pelle delicata dei bambini. Il ciclo è stato studiato per ridurre la carica batterica utilizzando una maggior quantità di acqua e ottimizzando l'effetto di additivi specifici igienizzanti aggiunti al detersivo. Al termine del lavaggio la macchina effettuerà delle lente rotazioni del cestello per evitare la creazione di pieghe; per terminare il ciclo premere il tasto START/PAUSE.

# Personalizzazioni

## Impostare la temperatura

Ruotando la manopola TEMPERATURA si imposta la temperatura di lavaggio (vedi *Tabella programmi*).

La temperatura si può ridurre sino al lavaggio a freddo (❄).

La macchina impedirà automaticamente di impostare una temperatura maggiore a quella massima prevista per ogni programma.


! Eccezione: selezionando il programma  la temperatura può essere portata sino a 90°.

## Impostare la centrifuga

Ruotando la manopola CENTRIFUGA si imposta la velocità di centrifuga del programma selezionato.

Le velocità massime previste per i programmi sono:

Programmi	Velocità massima
Cotone	1000 giri al minuto
Sintetici	800 giri al minuto
Lana	800 giri al minuto
Seta	solo scarico

La velocità di centrifuga può essere ridotta, oppure esclusa selezionando il simbolo .

La macchina impedirà automaticamente di effettuare una centrifuga maggiore a quella massima prevista per ogni programma.

## Funzioni

Le varie funzioni di lavaggio previste dalla lavabiancheria permettono di ottenere la pulizia e il bianco desiderati.

Per attivare le funzioni:

1. premere il tasto relativo alla funzione desiderata;
2. l'accensione della spia relativa segnala che la funzione è attiva.

Nota: Il lampeggio veloce della spia indica che la funzione relativa non è selezionabile per il programma impostato.

### Partenza ritardata

Ritarda l'avvio della macchina sino a 12 ore.

Premere più volte il tasto fino a far accendere la spia relativa al ritardo desiderato. Alla quinta pressione del tasto la funzione si disattiverà.

**N.B.:** Una volta premuto il tasto START/PAUSE, si può modificare il valore del ritardo solo diminuendolo.

! E' attivo con tutti i programmi.

### Stira Facile

Selezionando questa funzione, il lavaggio e la centrifuga saranno opportunamente modificati per ridurre la formazione di pieghe.

Nei programmi 11, la macchina terminerà il ciclo con la biancheria in ammollo, la spia della funzione STIRA FACILE e quella di START/PAUSE lampeggeranno (arancione) e la fase RISCIAQUO rimarrà accesa fissa.

Per scaricare l'acqua e poter rimuovere il bucato sarà necessario premere il tasto START/PAUSE o il tasto STIRA FACILE.

! Non è attivabile sui programmi 6, 7, 8, 9, 10, 13, , , .

### Extra Risciacquo

Selezionando questa funzione si aumenta l'efficacia del risciacquo, e si assicura la massima rimozione del detersivo. E' utile per pelli particolarmente sensibili.

! Non è attivabile sui programmi 6, 7, , .

### Super Lavaggio

Grazie all'utilizzo di una maggior quantità d' acqua nella fase iniziale del ciclo e all'impiego di maggior tempo, tale funzione garantisce un lavaggio di alte performance.

! Non è attivabile sui programmi 4, 6, 7, 8, 12, 13, , , .



# Detersivi e biancheria

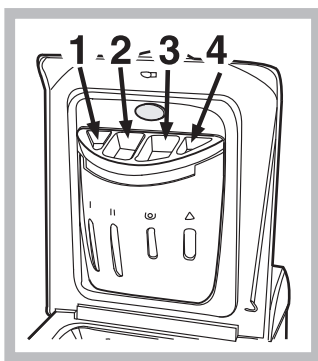
## Cassetto dei detersivi

Il buon risultato del lavaggio dipende anche dal corretto dosaggio del detersivo: eccedendo non si lava in modo più efficace e si contribuisce a incrostare le parti interne della lavabiancheria e a inquinare l'ambiente.

! Usare detersivi in polvere per capi in cotone bianchi e per il prelavaggio e per lavaggi con temperatura superiore a 60°C.

! Seguire le indicazioni riportate sulla confezione di detersivo.

! Non usare detersivi per il lavaggio a mano, perché formano troppa schiuma.



Alzare il coperchio al di sotto del quale è collocato il cassetto dei detersivi e inserire il detersivo o l'additivo come segue.

### vaschetta 1: Detersivo per prelavaggio (in polvere)

### vaschetta 2: Detersivo per lavaggio (in polvere o liquido)

E' opportuno immettere direttamente il detersivo liquido in vasca a mezzo dell'apposita pallina.

### vaschetta 3: Additivi (ammorbidente, ecc.)

Quando si versa l'ammorbidente nel comparto 3, far attenzione a non superare il livello "max" indicato.

L'ammorbidente viene automaticamente immesso in macchina durante l'ultimo risciacquo. Al termine del programma di lavaggio nello scomparto 3 rimane un residuo d'acqua. Questa serve per l'immissione di ammorbidenti molto densi, ovvero per diluire quelli concentrati. Se nel comparto 3 rimane più acqua del normale, ciò significa che il dispositivo di svuotamento è intasato. Per la pulizia vedi "Manutenzione e cura".

### vaschetta 4: Candeggina

## Ciclo candeggina

Il candeggino può essere effettuato solo con i programmi 8. Versare la candeggina nella vaschetta 4, il detersivo e l'ammorbidente nelle rispettive vaschette, quindi impostare uno dei programmi soprariportati.

E' indicato solo per capi in cotone molto sporchi.

! Non usare detersivi per il lavaggio a mano, perché formano troppa schiuma.

## Preparare la biancheria

- Suddividere la biancheria secondo:
  - il tipo di tessuto / il simbolo sull'etichetta.
  - i colori: separare i capi colorati da quelli bianchi.
- Vuotare le tasche e controllare i bottoni.
- Non superare i valori indicati, riferiti al peso della biancheria asciutta: vedi "Tabella dei programmi".

## Quanto pesa la biancheria?

- 1 lenzuolo 400-500 gr.
- 1 federa 150-200 gr.
- 1 tovaglia 400-500 gr.
- 1 accappatoio 900-1.200 gr.
- 1 asciugamano 150-250 gr.

## Capi particolari

**Camicie:** utilizzare l'apposito programma 11 per lavare camicie di diversi tipo di tessuto e colore. Ne garantisce la massima cura minimizzando la formazione delle pieghe.

**Seta:** utilizzare l'apposito programma 12 per lavare tutti i capi in seta. Si consiglia l'utilizzo di un detersivo specifico per capi delicati.

**Tende:** si raccomanda di piegarle e sistemarle dentro una federa o un sacchetto a rete. Utilizzare il programma 12.

**Lana:** Il ciclo di lavaggio "Lana" di questa lavatrice Hotpoint-Ariston è stato testato e approvato dalla Woolmark Company per il lavaggio di capi in lana classificati come "lavabili a mano", purché il lavaggio venga eseguito nel rispetto delle istruzioni riportate sull'etichetta dell'indumento e delle indicazioni fornite dal produttore dell'elettrodomestico. Hotpoint-Ariston è la prima marca di lavatrici ad aver ottenuto dalla Woolmark Company la certificazione Woolmark Apparel Care - Platinum per le sue prestazioni di lavaggio e il consumo di acqua ed energia.



## Sistema bilanciamento del carico

Prima di ogni centrifuga, per evitare vibrazioni eccessive e per distribuire il carico in modo uniforme, il cestello effettua delle rotazioni ad una velocità leggermente superiore a quella del lavaggio. Se al termine di ripetuti tentativi il carico non fosse ancora correttamente bilanciato la macchina effettua la centrifuga ad una velocità inferiore a quella prevista. In presenza di eccessivo sbilanciamento la lavabiancheria effettua la distribuzione anziché la centrifuga. Per favorire una migliore distribuzione del carico e il suo corretto bilanciamento si consiglia di mescolare capi grandi e piccoli.



# Anomalie e rimedi

Può accadere che la lavabiancheria non funzioni. Prima di telefonare all'Assistenza (vedi "Assistenza"), controllare che non si tratti di un problema facilmente risolvibile aiutandosi con il seguente elenco.

## Anomalie:

**La lavabiancheria non si accende.**

**Il ciclo di lavaggio non inizia.**

**La lavabiancheria non carica acqua (lampeggia velocemente la spia della prima fase di lavaggio).**

**La lavabiancheria carica e scarica acqua di continuo.**

**La lavabiancheria non scarica o non centrifuga.**

**La lavabiancheria vibra molto durante la centrifuga.**

**La lavabiancheria perde acqua.**

**La spia START/PAUSE (arancione) e le spie delle funzioni lampeggiano velocemente.**

**Si forma troppa schiuma.**

## Possibili cause / Soluzione:

- La spina non è inserita nella presa della corrente, o non abbastanza da fare contatto.
- In casa non c'è corrente.

- Lo sportello non è ben chiuso.
- Il tasto ON/OFF non è stato premuto.
- Il tasto START/PAUSE non è stato premuto.
- Il rubinetto dell'acqua non è aperto.
- Si è impostato un ritardo sull'ora di avvio (PARTENZA RITARDATA, vedi "Personalizzazioni").

- Il tubo di alimentazione dell'acqua non è collegato al rubinetto.
- Il tubo è piegato.
- Il rubinetto dell'acqua non è aperto.
- In casa manca l'acqua.
- Non c'è sufficiente pressione.
- Il tasto START/PAUSE non è stato premuto.

- Il tubo di scarico non è installato fra 65 e 100 cm da terra (vedi "Installazione").
- L'estremità del tubo di scarico è immersa nell'acqua (vedi "Installazione").
- Lo scarico a muro non ha lo sfiato d'aria.

Se dopo queste verifiche il problema non si risolve, chiudere il rubinetto dell'acqua, spegnere la lavabiancheria e chiamare l'Assistenza. Se l'abitazione si trova agli ultimi piani di un edificio, è possibile che si verifichino fenomeni di sifonaggio, per cui la lavabiancheria carica e scarica acqua di continuo. Per eliminare l'inconveniente sono disponibili in commercio apposite valvole anti-sifonaggio.

- Il programma non prevede lo scarico: con alcuni programmi occorre avviarlo manualmente.
- È attiva la funzione STIRA FACILE: per completare il programma premere il tasto START/PAUSE ("Personalizzazioni").
- Il tubo di scarico è piegato (vedi "Installazione").
- La condotta di scarico è ostruita.

- Il cestello, al momento dell'installazione, non è stato sbloccato correttamente (vedi "Installazione").
- La lavabiancheria non è in piano (vedi "Installazione").
- La lavabiancheria è stretta tra mobili e muro (vedi "Installazione").

- Il tubo di alimentazione dell'acqua non è ben avvitato (vedi "Installazione").
- Il cassetto dei detersivi è intasato (per pulirlo vedi "Manutenzione e cura").
- Il tubo di scarico non è fissato bene (vedi "Installazione").

- Spegnere la macchina e togliere la spina dalla presa, attendere circa 1 minuto quindi riaccenderla.  
Se l'anomalia persiste, chiamare l'Assistenza.

- Il detersivo non è specifico per lavabiancheria (deve esserci la dicitura "per lavatrice", "a mano e in lavatrice", o simili).
- Il dosaggio è stato eccessivo.

# Assistenza

## Prima di contattare l'Assistenza:

- Verificare se l'anomalia può essere risolta da soli (vedi "Anomalie e rimedi").
- Riavviare il programma per controllare se l'inconveniente è stato ovviato;
- In caso negativo, contattare il Numero Unico 199.199.199\*.

! Non ricorrere mai a tecnici non autorizzati.

## Comunicare:

- il tipo di anomalia;
- il modello della macchina (Mod.);
- il numero di serie (S/N).

Queste informazioni si trovano sulla targhetta applicata nella parte posteriore della lavabiancheria.

## Assistenza Attiva 7 giorni su 7



In caso di necessità d'intervento chiamare il Numero Unico Nazionale 199.199.199\*.

Un operatore sarà a completa disposizione per fissare un appuntamento con il Centro Assistenza Tecnico Autorizzato più vicino al luogo da cui si chiama.

È attivo 7 giorni su 7, sabato e domenica compresi, e non lascia mai inascoltata una richiesta.

\* Al costo di 14,25 centesimi di Euro al minuto (iva inclusa) dal Lun. al Ven. dalle 08:00 alle 18:30, il Sab. dalle 08:00 alle 13:00 e di 5,58 centesimi di Euro al minuto (iva inclusa) dal Lun. al Ven. dalle 18:30 alle 08:00, il Sab. dalle 13:00 alle 08:00 e i giorni festivi, per chi chiama da telefono fisso.

Per chi chiama da radiomobile le tariffe sono legate al piano tariffario dell'operatore telefonico utilizzato.

Le suddette tariffe potrebbero essere soggette a variazione da parte dell'operatore telefonico; per maggiori informazioni consultare il sito [www.aristonchannel.com](http://www.aristonchannel.com).

GR

Ελληνικά

ARTXL 109

## Περιεχόμενα

### Εγκατάσταση, 50-51

Αποσυσκευασία και οριζόντιωση  
Υδραυλικές και ηλεκτρικές συνδέσεις  
Πρώτος κύκλος πλυσίματος  
Τεχνικά στοιχεία

### Συντήρηση και φροντίδα, 52

Κλείσιμο παροχών νερού και ηλεκτρικού ρεύματος  
Καθαρισμός του πλυντηρίου  
Φροντίδα της πόρτας και του κάδου  
Καθαρισμός της αντλίας  
Έλεγχος του σωλήνα τροφοδοσίας του νερού  
Πως καθαρίζεται η θήκη απορρυπαντικού

### Προφυλάξεις και συμβουλές, 53

Γενική ασφάλεια  
Διάθεση  
Εξοικονόμηση ενέργειας και σεβασμός του περιβάλλοντος

### Περιγραφή του πλυντηρίου και εκκίνηση ενός προγράμματος, 54-55

Πίνακας ελέγχου  
Ενδεικτικά φωτάκια  
Πως ανοίγει και κλείνει ο κάδος  
Εκκίνηση ενός προγράμματος

### Προγράμματα, 56

Πίνακας των Προγραμμάτων

### Εξατομικεύσεις, 57

Θέστε τη θερμοκρασία  
Θέστε το στύψιμο  
Λειτουργίες

### Απορρυπαντικά και μπουγάδα, 58

Θήκη απορρυπαντικών  
Κύκλος λεύκανσης  
Προετοιμασία της μπουγάδας  
Ειδικά ρούχα  
Σύστημα ισοστάθμισης του φορτίου

### Ανωμαλίες και λύσεις, 59

### Υποστήριξη, 60

GR

# Εγκατάσταση

GR

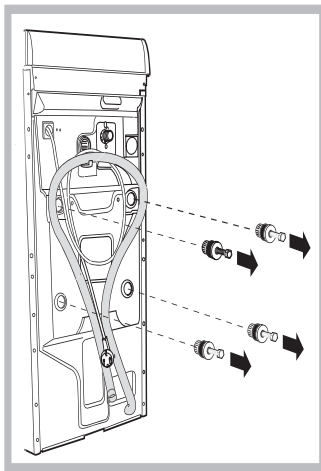
! Είναι σημαντικό να φυλάζετε το εγχειρίδιο αυτό για να μπορείτε να το συμβουλευέστε οποιαδήποτε στιγμή. Σε περίπτωση πώλησης, παραχώρησης ή μετακόμισης, βεβαιωθείτε ότι παραμένει μαζί με το πλυντήριο για να πληροφορεί τον νέο ιδιοκτήτη για τη λειτουργία και τις σχετικές προειδοποιήσεις.

! Διαβάστε προσεκτικά τις οδηγίες: υπάρχουν σημαντικές πληροφορίες για την εγκατάσταση, τη χρήση και την ασφάλεια.

## Αποσυσκευασία και οριζόντιωση

### Αποσυσκευασία

1. Αποσυσκευάστε το πλυντήριο.



2. Ελέγξτε αν το πλυντήριο έχει υποστεί ζημιές κατά τη μεταφορά. Αν έχει υποστεί ζημιές μην το συνδέετε και επικοινωνήστε με τον μεταπωλητή.

3. Αφαιρέστε τις τέσσερις βίδες μεταφοράς και το λασπάκι με το σχετικό διαχωριστικό, που βρίσκονται στο πίσω μέρος (βλέπε εικόνα).

4. Κλείστε τις σπές με τα πλαστικά πώματα

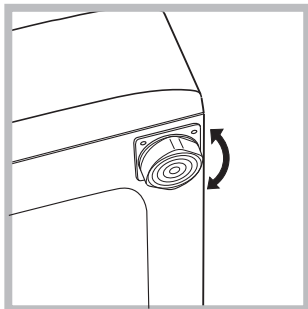
που σας παρέχονται.

5. Διατηρείστε και τα τρία τεμάχια: αν το πλυντήριο χρειαστεί να μεταφερθεί, θα πρέπει να ξαναμονταριστούν.

**Προσοχή:** σε περίπτωση επαναχρησιμοποίησης οι πιο κοντές βίδες πρέπει να μονταριστούν επάνω. ! Οι συσκευασίες δεν είναι παιχνίδια για μικρά παιδιά.

### Οριζόντιωση

1. Εγκαταστήστε το πλυντήριο σε ένα δάπεδο επίπεδο και ανθεκτικό, χωρίς να το ακουμπήσετε σε τοίχους, έπιπλα ή άλλο.



2. Αν το δάπεδο δεν είναι απόλυτα επίπεδο, οριζοντιώστε την συσκευή βιδώνοντας ή ξεβιδώνοντας τις ειδικές βάσεις στο μπροστινό τμήμα της συσκευής (βλέπε εικόνα).

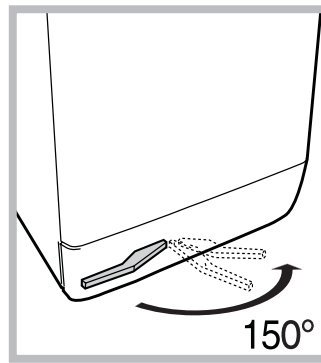
Η γωνία κλίσης, μετρημένη στην επιφάνεια εργασίας,

δεν πρέπει να ξεπερνάει τις 2°.

Η σωστή οριζόντιωση προσδίδει σταθερότητα στο μηχάνημα και αποσοβεί δονήσεις, θορύβους και μετατοπίσεις κατά τη λειτουργία.

Αν το πλυντήριο τοποθετηθεί πάνω σε μοκέτα ή τάπητα, ρυθμίστε τα ποδαράκια έτσι ώστε να υπάρχει κάτω από το πλυντήριο αρκετός χώρος για τον αερισμό.

### Τοποθέτηση, μετατοπίσεις

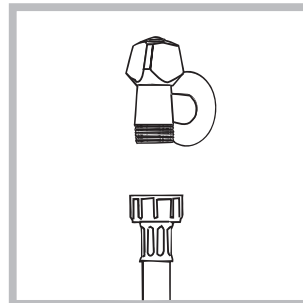


Αν το πλυντήριό σας διαθέτει ένα ειδικό τρόλεϋ με τροχούς που μαζεύονται, θα διευκολυνθείτε στη μετατόπιση. Για να κατέβει το τρόλεϋ αυτό και για τη μετακίνηση χωρίς δυσκολία, πρέπει να τραβήξετε το μοχλό, που βρίσκεται κάτω αριστερά, κάτω από τη βάση. Αφού

ολοκληρώσετε τη μετακίνηση ξαναφέρετε τον στην αρχική του θέση. Στο σημείο αυτό, το μηχάνημα είναι σταθερά τοποθετημένο. Βλέπε εικόνα (Μόνο για τα προβλεπόμενα μοντέλα).

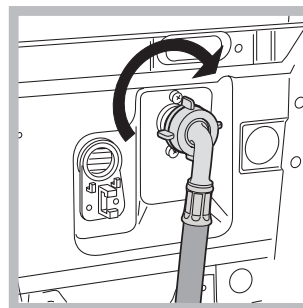
## Υδραυλικές και ηλεκτρικές συνδέσεις

### Σύνδεση του σωλήνα τροφοδοσίας νερού



1. Συνδέστε το σωλήνα τροφοδοσίας βιδώνοντάς τον σε ένα κρουνό κρύου νερού με στόμιο σπειρώματος 3/4 gas (βλέπε εικόνα).

Πριν τη σύνδεση, αφήστε να τρέξει το νερό μέχρι να γίνει διαυγές.



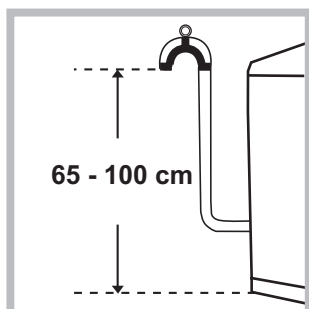
2. Συνδέστε το σωλήνα τροφοδοσίας στο πλυντήριο βιδώνοντάς το στην αντίστοιχη είσοδο νερού, στο πίσω μέρος επάνω δεξιά (βλέπε εικόνα).

3. Βεβαιωθείτε ότι ο σωλήνας δεν είναι τσακισμένος σε κανένα σημείο του.

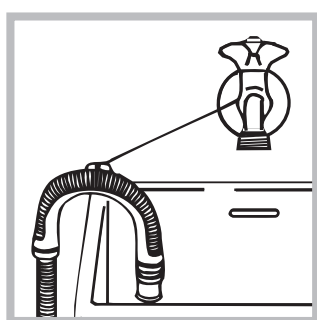
! Η πίεση του νερού πρέπει να κυμαίνεται μεταξύ των τιμών του πίνακα με τα τεχνικά στοιχεία (βλέπε επόμενη σελίδα).

! Αν το μήκος του σωλήνα τροφοδοσίας νερού δεν επαρκεί, θα πρέπει να απευθυνθείτε σε ειδικευμένο κατάστημα ή σε εξουσιοδοτημένο τεχνικό.

## Σύνδεση του σωλήνα αδειάσματος



Σ υ ν δ έ σ τ ε αδειάσματος, χωρίς να τον διπλώσετε, σε έναν αγωγό εκκένωσης ή σε μια επιτοίχια αποχέτευση σε απόσταση από 65 έως 100 cm από το έδαφος.



Δ ι α φ ο ρ ε τ ι κ ά αποθέστε τον στο χείλος ενός νιπτήρα ή μιας λεκάνης, δένοντας τον οδηγό που σας παρέχεται στον κρουνό (βλέπε εικόνα). Το ελεύθερο άκρο του σωλήνα αδειάσματος δεν πρέπει να παραμένει

βυθισμένο στο νερό.

! Δεν συνιστάται η χρήση προεκτάσεων σωλήνων. Αν απαιτείται, η προέκταση πρέπει να έχει την ίδια διάμετρο του αρχικού σωλήνα και να μην ξεπερνάει τα 150 cm.

## Ηλεκτρική σύνδεση

Πριν εισάγετε το βύσμα στην ηλεκτρική πρίζα, βεβαιωθείτε ότι:

- η πρίζα διαθέτει γείωση και τηρεί τις εκ του νόμου προδιαγραφές.
- Η πρίζα να είναι σε θέση να υποφέρει το μέγιστο φορτίο ισχύος της μηχανής, που αναφέρεται στον πίνακα Τεχνικών στοιχείων (βλέπε δίπλα).
- Η τάση τροφοδοσίας να κυμαίνεται μεταξύ των τιμών που αναφέρονται στον πίνακα Τεχνικών στοιχείων (βλέπε δίπλα).
- Η πρίζα να είναι συμβατή με το βύσμα του πλυντηρίου. Σε αντίθετη περίπτωση, αντικαταστήστε την πρίζα ή το βύσμα.

! Το πλυντήριο δεν εγκαθίσταται σε ανοιχτό χώρο, ακόμη και αν ο χώρος είναι καλυμμένος, διότι είναι πολύ επικίνδυνο να το αφήνετε εκτεθειμένο σε βροχή και κακοκαιρία.

! Με την εγκατάσταση του πλυντηρίου, η πρίζα ρεύματος πρέπει να είναι εύκολα προσβάσιμη.

! Μη χρησιμοποιείτε προεκτάσεις και πολύπριζα.



! Το καλώδιο δεν πρέπει να φέρει πτυχές ή να είναι συμπιεσμένο.

! Το καλώδιο τροφοδοσίας πρέπει να αντικαθίσταται μόνο από εξουσιοδοτημένους τεχνικούς.

Προσοχή! Η επιχείρηση αποποιείται κάθε ευθύνης σε περίπτωση που δεν τηρούνται αυτοί οι κανόνες.

## Πρώτος κύκλος πλυσίματος

Μετά την εγκατάσταση, πριν τη χρήση, διενεργήστε ένα κύκλο πλυσίματος με απορρυπαντικό και χωρίς ρούχα θέτοντας το πρόγραμμα  $\leq 60^{\circ}\text{C}$ .

Τεχνικά στοιχεία	
Μοντέλο	ARTXL 109
Διαστάσεις	πλάτος cm 40 ύψος cm 85 βάθος cm 60
Χωρητικότητα	από 1 έως 6 kg
Ηλεκτρικές συνδέσεις	Βλέπε την πινακίδα χαρακτηριστικών επί της μηχανής
Συνδέσεις νερού	μέγιστη πίεση 1 MPa (10 bar) Ελάχιστη πίεση 0,05 MPa (0,5 bar) χωρητικότητα του κάδου 42 λίτρα
Ταχύτητα στυψίματος	μέχρι 1000 στροφές το λεπτό
Προγράμματα ελέγχου σύμφωνα με τις οδηγίες 1061/2010 και 1015/2010	πρόγραμμα $\leq 60^{\circ}\text{C}$ κανονικό πρόγραμμα για βαμβακερά στους 60 °C. πρόγραμμα $\leq 40^{\circ}\text{C}$ κανονικό πρόγραμμα για βαμβακερά στους 40 °C.
 	Η συσκευή αυτή είναι σύμφωνη με τις ακόλουθες Κοινοτικές Οδηγίες: - 2004/108/CE (Ηλεκτρομαγνητική Συμβατότητα) - 2002/96/CE - 2006/95/CE (Χαμηλή Τάση)

# Συντήρηση και φροντίδα

GR

## Κλείσιμο παροχών νερού και ηλεκτρικού ρεύματος

- Κλείνετε την βρύση μετά από κάθε πλύσιμο. Έτσι περιορίζεται η φθορά της υδραυλικής εγκατάστασης του πλυντηρίου και αποσοβείται ο κίνδυνος απωλειών.
- Βγάλτε το βύσμα από το ρεύμα όταν καθαρίζετε το πλυντήριο και κατά τις εργασίες συντήρησης.

## Καθαρισμός του πλυντηρίου

Το εξωτερικό μέρος και τα λασπχένια μέρη μπορούν να καθαρίζονται με ένα πανί βρεγμένο με χλιαρό νερό και σαπούνι. Μη χρησιμοποιείτε διαλύτες ή αποζυστικά.

## Φροντίδα της πόρτας και του κάδου

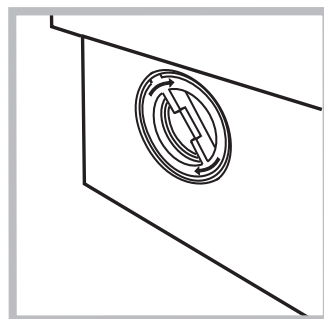
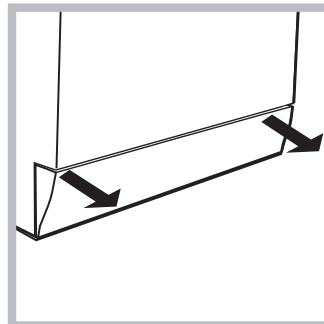
- Να αφήνετε πάντα μισόκλειστη την πόρτα για να μην παράγονται δυσσομίες.

## Καθαρισμός της αντλίας

Το πλυντήριο διαθέτει μια αντλία αυτοκαθαριζόμενη που δεν χρειάζεται συντήρηση. Μπορεί όμως να τύχει να πέσουν μικρά αντικείμενα (κέρματα, κουμπιά) στον προθάλαμο που προστατεύει την αντλία, που βρίσκεται στο κάτω μέρος αυτής.

! Βεβαιωθείτε ότι ο κύκλος πλυσίματος έχει τελειώσει και βγάλτε το βύσμα.

Για να ανακτήσετε ενδεχόμενα πεσμένα αντικείμενα στον προθάλαμο:



1. απομακρύνετε το ποδαράκι κάτω στο πρόσθιο πλευρό του πλυντηρίου τραβώντας με τα χέρια από τα πλαϊνά (βλέπε εικόνα).
2. ζεβιδώστε το καπάκι στρέφοντάς το αριστερόστροφα (βλέπε εικόνα): είναι φυσικό να βγαίνει λίγο νερό.
3. καθαρίστε επιμελώς το εσωτερικό.
4. ζαναβιδώστε το καπάκι.
5. ζαναμοντάρετε το ταμπλό όντας σίγουροι, πριν το σπρώξετε προς το μηχάνημα, ότι έχετε εισάγει τα γαντζάκια στις αντίστοιχες εσοχές.

## Έλεγχος του σωλήνα τροφοδοσίας του νερού

Ελέγχετε το σωλήνα τροφοδοσίας τουλάχιστον μια φορά ετησίως. Αν παρουσιάζει σκασίματα και σχισμές αντικαθίσταται: κατά τα πλυσίματα οι ισχυρές πιέσεις θα μπορούσαν να προκαλέσουν ζαφνικά σπασίματα.

! Μη χρησιμοποιείτε ποτέ σωλήνες χρησιμοποιημένους.

## Πως καθαρίζεται η θήκη απορρυπαντικού

### Αποσυναρμολόγηση:

Εξασκήστε μια ελαφρά πίεση στο μεγάλο κουμπί στο πρόσθιο μέρος της θήκης απορρυπαντικού και τραβήξτε την προς τα πάνω (εικ. 1, 2).

### Καθαρισμός:

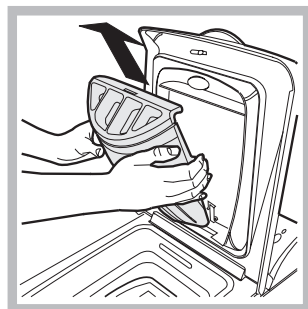
Κατόπιν, καθαρίστε τη θήκη κάτω από τη βρύση (εικ. 3) χρησιμοποιώντας μια οδοντόβουρτσα και, αφού τραβήξετε το ζευγάρι των σιφονίων που είναι βαλμένα στο επάνω μέρος των διαμερισμάτων 1 και 2 (εικ. 4), ελέγξτε αν τα ίδια είναι βουλωμένα και ζεπλύνετε τα.

### Επανασυναρμολόγηση:

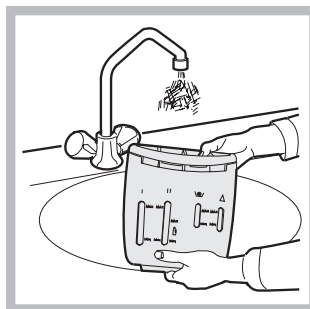
Μην ξεχνάτε να επανεισάγετε το ζευγάρι των σιφονίων στις αντίστοιχες έδρες και, τέλος, να ζαναβάλετε τη θήκη στην έδρα της εφαρμόζοντάς τη (εικ. 4, 2, 1).



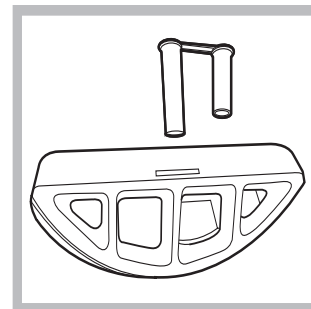
Εικ. 1



Εικ. 2



Εικ. 3



Εικ. 4



# Προφυλάξεις και συμβουλές

! Το πλυντήριο σχεδιάστηκε και κατασκευάστηκε σύμφωνα με τους διεθνείς κανόνες ασφαλείας. Αυτές οι προειδοποιήσεις παρέχονται για λόγους ασφαλείας και πρέπει να διαβάζονται προσεκτικά.

## Γενική ασφάλεια

- Η συσκευή αυτή μπορεί να χρησιμοποιηθεί από παιδιά άνω των 8 ετών και από άτομα με μειωμένες φυσικές, αισθητηριακές ή νοητικές ικανότητες ή με εμπειρία και γνώσεις ανεπαρκείς, αν επιτηρούνται ή αν έχουν δεχτεί κατάλληλη εκπαίδευση σχετικά με τη χρήση της συσκευής με τρόπο ασφαλή και κατανοώντας τους σχετικούς κινδύνους. Τα παιδιά δεν πρέπει να παίζουν με τη συσκευή. Συντήρηση και καθαρισμός δεν πρέπει να διενεργούνται από παιδιά χωρίς επιτήρηση.
- Το πλυντήριο πρέπει να χρησιμοποιείται μόνο από ενήλικα άτομα και σύμφωνα με τις οδηγίες που αναφέρονται στο παρόν εγχειρίδιο.
- Η συσκευή αυτή σχεδιάστηκε αποκλειστικά για οικιακή χρήση.
- Μην αγγίζετε το μηχανήμα με γυμνά πόδια ή με τα χέρια ή τα πόδια βρεγμένα.
- Μην βγάζετε το βύσμα από την ηλεκτρική πρίζα τραβώντας το καλώδιο, αλλά να πιάνετε την πρίζα.
- Μην αγγίζετε το νερό αδειάματος, αφού μπορεί να φτάσει σε υψηλές θερμοκρασίες.
- Μην ζορίζετε σε καμία περίπτωση την πόρτα: θα μπορούσε να χαλάσει ο μηχανισμός ασφαλείας που προστατεύει από τυχαία ανοίγματα.
- Σε περίπτωση βλάβης, σε καμία περίπτωση να μην επεμβαίνετε στους εσωτερικούς μηχανισμούς προσπαθώντας να την επισκευάσετε.
- Να ελέγχετε πάντα τα παιδιά να μην πλησιάζουν στο μηχανήμα σε λειτουργία.
- Αν πρέπει να μετατοπιστεί, συνεργαστείτε δύο ή τρία άτομα με τη μέγιστη προσοχή. Ποτέ μόνοι σας γιατί το μηχανήμα είναι πολύ βαρύ.
- Πριν εισάγετε τη μπουγάδα ελέγξτε αν ο κάδος είναι άδειος.

## Διάθεση

- Διάθεση του υλικού συσκευασίας: τηρείτε τους τοπικούς κανονισμούς, ώστε οι συσκευασίες να μπορούν να επαναχρησιμοποιηθούν.
- Η ευρωπαϊκή οδηγία 2002/96/EK για τα Απόβλητα Ηλεκτρικού και Ηλεκτρονικού Εξοπλισμού, απαιτεί ότι οι παλαιές οικιακές ηλεκτρικές συσκευές δεν πρέπει να αποβάλλονται μαζί με τα υπόλοιπα απόβλητα του δημοτικού δικτύου. Οι παλαιές συσκευές πρέπει να συλλεχθούν χωριστά προκειμένου να βελτιστοποιηθούν η αποκατάσταση και η ανακύκλωση των υλικών που περιέχουν και με σκοπό τη μείωση των βλαβερών επιπτώσεων στην ανθρώπινη υγεία και το περιβάλλον.

Το σύμβολο με το διεγραμμένο “δοχείο αποβλήτων” στο προϊόν υπενθυμίζει σε σας την υποχρέωσή σας, πως όταν επιθυμείτε να πετάξετε τη συσκευή, πρέπει να συλλεχθεί χωριστά.

Οι καταναλωτές θα πρέπει να απευθύνονται στις τοπικές αρχές ή στα καταστήματα λιανικής για πληροφορίες που αφορούν τη σωστή διάθεση των παλαιών ηλεκτρικών συσκευών.

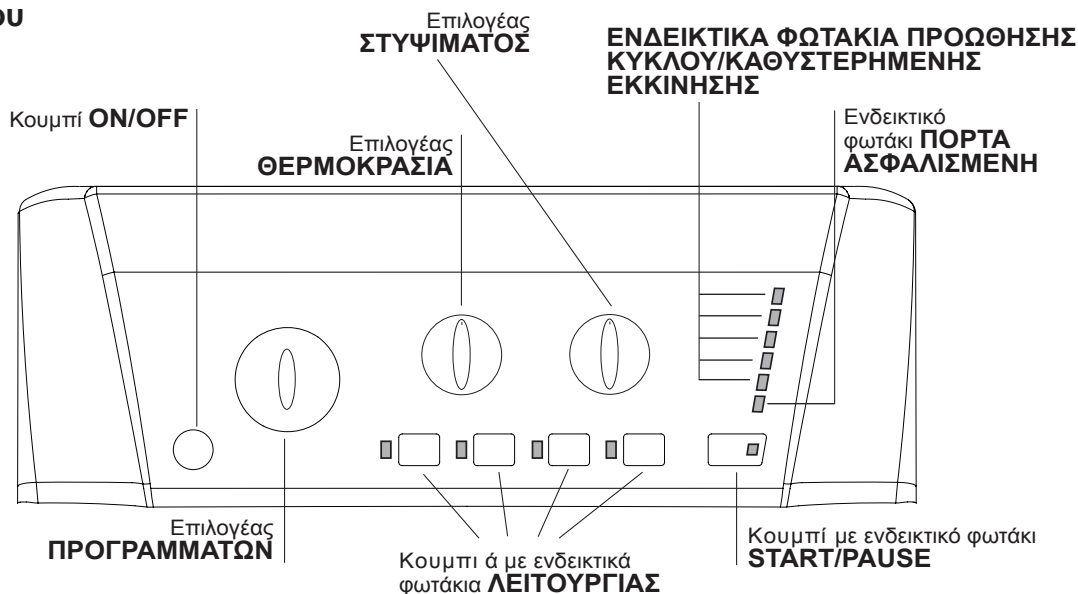
## Εξοικονόμηση ενέργειας και σεβασμός του περιβάλλοντος

### Εξοικονόμηση απορρυπαντικού, νερού, ενέργειας και χρόνου

- Για να μην ξοδεύετε πόρους θα πρέπει να χρησιμοποιείτε το πλυντήριο με το μέγιστο φορτίο. Ένα πλήρες φορτίο στη θέση δύο μισών σας εξοικονομεί μέχρι το 50% ενέργειας.
- Η πρόπλυση είναι αναγκαία μόνο τα ασπρόρουχα που είναι πολύ λερωμένα. Αποφεύγοντάς τη εξοικονομείτε απορρυπαντικό, χρόνο, νερό και από 5 έως 15% ενέργειας.
- Περνώντας τους λεκέδες με ένα καθαριστικό ή αφήνοντάς τους σε μούλιασμα πριν το πλύσιμο, μειώνεται η αναγκαιότητα πλυσίματος σε υψηλές θερμοκρασίες. Ένα πρόγραμμα σε 60°C αντί των 90°C ή ένα σε 40°C αντί των 60°C, σας εξοικονομεί μέχρι 50% ενέργειας.
- Να δοσολογείτε καλά το απορρυπαντικό με βάση την σκληρότητα του νερού, το βαθμό βρωμιάς και την ποσότητα της μπουγάδας ώστε να αποσοβείτε σπατάλες και να προστατεύετε το περιβάλλον: ακόμα και τα βιοδιασπώμενα απορρυπαντικά περιέχουν στοιχεία που αλλοιώνουν την ισορροπία στην φύση. Επιπλέον να αποφεύγετε το μέγιστο δυνατό το μαλακτικό.
- Πλένοντας αργά το απόγευμα μέχρι τις πρώτες πρωινές ώρες συμβάλλετε στην μείωση του απαιτούμενου ηλεκτρικού φορτίου από πλευράς επιχειρήσεων ηλεκτρικής ενέργειας. Η δυνατότητα “Καθυστερημένη εκκίνηση” βοηθάει πολύ στην οργάνωση των πλυσιμάτων με την έννοια αυτή.
- Αν η μπουγάδα πρέπει να στεγνώσει σε ένα στεγνωτήριο, επιλέξτε υψηλή ταχύτητα στυψίματος. Λίγο νερό στην μπουγάδα σας εξοικονομεί χρόνο και ενέργεια στο πρόγραμμα στεγνωτήματος.

# Περιγραφή του πλυντηρίου και εκκίνηση ενός προγράμματος

## Πίνακας ελέγχου



**Κουμπί ON/OFF:** Για να ανάψετε ή να σβήσετε το πλυντήριο.

**Επιλογέας ΠΡΟΓΡΑΜΜΑΤΩΝ:** για να θέσετε τα προγράμματα. Κατά τη διάρκεια του προγράμματος ο επιλογέας παραμένει ακίνητος.

**Κουμπι ά με ενδεικτικά φωτάκια ΛΕΙΤΟΥΡΓΙΑΣ:** για να επιλέξετε τις διαθέσιμες λειτουργίες. Το σχετικό με την επιλεγείσα λειτουργία ενδεικτικό φωτάκι θα παραμείνει αναμμένο.

**Επιλογέας ΣΤΥΨΙΜΑΤΟΣ:** για να θέσετε το στύψιμο ή να το αποκλείσετε (βλέπε «Εξατομικεύσεις»).

**Επιλογέας ΘΕΡΜΟΚΡΑΣΙΑ:** για να θέσετε τη θερμοκρασία ή το πλύσιμο σε κρύο νερό (βλέπε «Εξατομικεύσεις»).

**ΕΝΔΕΙΚΤΙΚΑ ΦΩΤΑΚΙΑ ΠΡΟΩΘΗΣΗΣ ΚΥΚΛΟΥ/ΚΑΘΥΣΤΕΡΗΜΕΝΗΣ ΕΚΚΙΝΗΣΗΣ:** για να ακολουθείτε την κατάσταση προόδου του προγράμματος πλυσίματος. Το αναμμένο ενδεικτικό φωτάκι δείχνει την σε εξέλιξη φάση. Αν τέθηκε η λειτουργία «Καθυστερημένη εκκίνηση», θα δείχνουν τον χρόνο που υπολείπεται για την έναρξη του προγράμματος (βλέπε σελίδα δίπλα).

**Ενδεικτικό φωτάκι ΠΟΡΤΑ ΑΣΦΑΛΙΣΜΕΝΗ:** για να καταλάβετε αν η πόρτα ανοίγει (βλέπε σελίδα δίπλα).

**Κουμπι με ενδεικτικό φωτάκι START/PAUSE:** για την εκκίνηση των προγραμμάτων ή την προσωρινή διακοπή τους.

**ΣΗΜΕΙΩΣΗ:** για να θέσετε σε παύση το σε εξέλιξη πλύσιμο, πιάστε το κουμπι αυτό, το σχετικό ενδεικτικό φωτάκι θα ανάψει με πορτοκαλί χρώμα ενώ εκείνο της σε εξέλιξης φάσης θα είναι συνεχώς αναμμένο. Αν το ενδεικτικό φωτάκι ΠΟΡΤΑ ΑΣΦΑΛΙΣΜΕΝΗ =ο σβήσει, μπορείτε να ανοίξετε την πόρτα. Για να ξεκινήσει πάλι το πλύσιμο από το σημείο διακοπής, πατήστε εκ νέου το κουμπι αυτό.

## Τρόπος stand by

Το πλυντήριο αυτό, σύμφωνα με τις νέες διατάξεις για την εξοικονόμηση ενέργειας, διαθέτει ένα σύστημα αυτόματου σβήσιματος (stand by) που τίθεται σε λειτουργία εντός 30 λεπτών στην περίπτωση μη χρήσης. Πιέστε στιγμιαία το κουμπι ON/OFF και περιμένετε να ενεργοποιηθεί εκ νέου η μηχανή.

Κατανάλωση σε off-mode: 0,5 W

Κατανάλωση σε Left-on: 0,5 W

## Ενδεικτικά φωτάκια

Τα ενδεικτικά φωτάκια παρέχουν σημαντικές πληροφορίες.

Να τι μας λένε:

### Καθυστερημένη εκκίνηση

Αν ενεργοποιήθηκε η λειτουργία «Καθυστερημένη εκκίνηση» (βλέπε «Εξατομικεύσεις»), αφού εκκινήσετε το πρόγραμμα, θα αρχίσει να αναβοσβήνει το ενδεικτικό φωτάκι το σχετικό με την επιλεγμένη καθυστέρηση:












Με το πέρασμα του χρόνου θα απεικονίζεται η υπολειπόμενη καθυστέρηση, με το σχετικό ενδεικτικό φωτάκι να αναβοσβήνει.



Αφού διανυθεί η επιλεγείσα καθυστέρηση το ενδεικτικό φωτάκι που αναβοσβήνει θα σβήσει και θα αρχίσει το τεθέν πρόγραμμα.

### Ενδεικτικά φωτάκια φάσης σε εξέλιξη

Κατά τον επιθυμητό κύκλο πλυσίματος, τα ενδεικτικά φωτάκια θα ανάψουν προοδευτικά για να δείξουν την κατάσταση προώθησης:

Πλύσιμο		
Ξέβγαλμα		
Στύψιμο		
Αδειασμα		
Τέλος Πλυσίματος	END	

### Κουμπιά λειτουργίας και σχετικά ενδεικτικά φωτάκια

Επιλέγοντας μια λειτουργία το σχετικό ενδεικτικό φωτάκι θα φωτιστεί. Αν η επιλεγμένη λειτουργία δεν είναι συμβατή με το τεθέν πρόγραμμα το σχετικό ενδεικτικό φωτάκι θα αναβοσβήνει και η λειτουργία δεν θα ενεργοποιηθεί. Στην περίπτωση που τεθεί μια λειτουργία μη συμβατή με μια άλλη που επιλέχθηκε προηγουμένως θα παραμείνει ενεργή μόνο η τελευταία επιλογή.

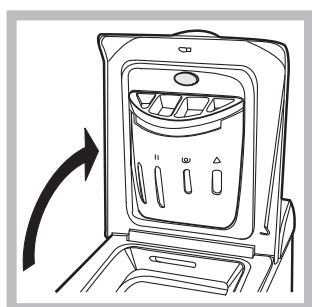
### ☞ Ενδεικτικό φωτάκι ασφαλισμένης πόρτας

Το αναμμένο ενδεικτικό φωτάκι δείχνει ότι η πόρτα είναι ασφαλισμένη για την παρεμπόδιση τυχαίων ανοιγμάτων. Για την αποφυγή ζημιών πρέπει να περιμένετε να σβήσει το ενδεικτικό φωτάκι πριν το άνοιγμα της πόρτας (Η αναμονή διαρκεί περίπου τρία λεπτά).

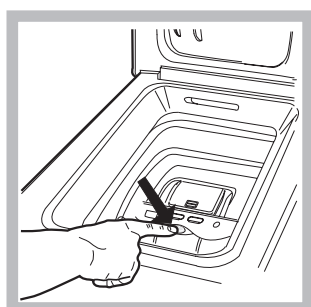
**ΣΗΜΕΙΩΣΗ:** αν είναι ενεργή η λειτουργία “Καθυστερημένη εκκίνηση” η πόρτα δεν μπορεί να ανοίξει, για να την ανοίξετε θέστε τη μηχανή σε παύση πιέζοντας το κουμπί START/PAUSE.

! Το ταχύ αναβοσβήσιμο του φωτός START/PAUSE (πορτοκαλί) ταυτόχρονα με εκείνο των λειτουργιών επισημαίνει μια ανωμαλία (βλέπε “Ανωμαλίες και λύσεις”).

### Πως ανοίγει και κλείνει ο κάδος



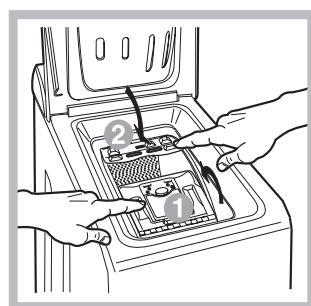
Εικ. 1



Εικ. 2



Εικ. 3



Εικ. 4

### A) ΑΝΟΙΓΜΑ (Εικ. 1):

Ανασηκώστε το εξωτερικό καπάκι και ανοίξτε τελείως.

### B) Άνοιγμα κάδου (Soft opening):

Με ένα δάχτυλο πιέστε το κουμπί που υποδεικνύεται στην εικ. 2 και ο κάδος θα ανοίξει απαλά.

### C) ΕΙΣΑΓΩΓΗ ΡΟΥΧΩΝ (Εικ. 3).

### D) ΚΛΕΙΣΙΜΟ (Εικ. 4):

- κλείστε καλά τον κάδο χαμηλώνοντας πρώτα την πρόσθια πόρτα και αποθέτοντας κατόπιν την πίσω;
- βεβαιωθείτε κατόπιν ότι οι γάντζοι της πρόσθιας πόρτας είναι άψογα τοποθετημένοι στην έδρα της πίσω πόρτας;
- αφού ακούσετε το “κλακ” του κουμπώματος, εξασκήστε μια ελαφρά πίεση προς τα κάτω σε αμφότερες τις πόρτες που δεν πρέπει να απασφαλιστούν;
- τέλος, κλείστε το εξωτερικό καπάκι.

### Εκκίνηση ενός προγράμματος

1. Ανάβει το πλυντήριο πιέζοντας το κουμπί ON/OFF. Όλα τα ενδεικτικά φωτάκια θα ανάψουν για μερικά δευτερόλεπτα, μετά θα παραμείνουν αναμμένα τα ενδεικτικά φωτάκια τα σχετικά με τις ρυθμίσεις του επιλεγμένου προγράμματος και θα πάλλεται το ενδεικτικό φωτάκι START/PAUSE.
2. Φορτώστε τα ασπρόρουχα, κλείστε τις θυρίδες και το καπάκι.
3. Θέστε με τον επιλογέα ΠΡΟΓΡΑΜΜΑΤΩΝ το επιθυμητό πρόγραμμα.
4. Θέστε τη θερμοκρασία πλυσίματος (βλέπε «Εξατομικεύσεις»).
5. Θέστε την ταχύτητα στύψιματος (βλέπε «Εξατομικεύσεις»).
6. Χύστε απορρυπαντικό και πρόσθετα (βλέπε «Απορρυπαντικά και μπουγάδα»).
7. Επιλέξτε τις διαθέσιμες λειτουργίες.
8. Εκκινήστε το πρόγραμμα πιέζοντας το κουμπί START/PAUSE και το σχετικό ενδεικτικό φωτάκι θα παραμείνει αναμμένο συνεχώς με πράσινο χρώμα. Για να ακυρώσετε τον τεθέντα κύκλο θέστε τη μηχανή σε παύση πιέζοντας το κουμπί ΕΚΚΙΝΗΣΗΣ/ΠΑΥΣΗΣ και επιλέξτε ένα νέο κύκλο.
9. Στο τέλος του προγράμματος θα φωτιστεί το ενδεικτικό φωτάκι END. Το ενδεικτικό φωτάκι ΠΟΡΤΑ ΑΣΦΑΛΙΣΜΕΝΗ θα σβήσει δείχνοντας ότι η πόρτα μπορεί να ανοίξει. Βγάλτε τη μπουγάδα και αφήστε την πόρτα μισόκλειστη για να στεγνώσει ο κάδος. Σβήστε το πλυντήριο πιέζοντας το κουμπί ΑΝΑΜΜΑ/ΣΒΗΣΙΜΟ.

# Προγράμματα

## Πίνακας των Προγραμμάτων

Προγράμματα	Περιγραφή του Προγράμματος	Μέγιστη θερμοκρασία (°C)	Μέγιστη ταχύτητα (στροφές ανά λεπτό)	Απορρυπαντικά				Μέγιστο φορτίο (kg)	Υπολειπόμενη υγρασία %	Κατανάλωση ενέργειας kWh	Συνολικό νερό lt	Διάρκεια κύκλου
				Προπλυση	Λευκανικό	Πλύσιμο	Μαλακτικό					
1	<b>ΒΑΜΒΑΚΕΡΑ ΠΡΟΠΛΥΣΗ:</b> Λευκά εξαιρετικά λερωμένα.	90°	1000	●	-	●	●	6	62	1,92	67	160'
60°C	<b>Κανονικό πρόγραμμα για βαμβακερά στους 60 °C (1):</b> Λευκά και χρωματιστά ανθεκτικά, πολύ λερωμένα.	60° (Max. 90°)	1000	-	-	●	●	6	62	1,04	50,0	165'
40°C	<b>Κανονικό πρόγραμμα για βαμβακερά στους 40 °C (2):</b> Λευκά λίγο λερωμένα και ευαίσθητα χρώματα.	40°	1000	-	-	●	●	6	62	1,09	92	160'
4	<b>Κανονικό πρόγραμμα για βαμβακερά στους 20 °C:</b> Λευκά λίγο λερωμένα και ευαίσθητα χρώματα.	20°	1000	-	-	●	●	6	-	-	-	180'
5	<b>Συνθετικά:</b> Χρωματιστά ανθεκτικά, πολύ λερωμένα.	60°	800	-	-	●	●	3	44	0,85	39	110'
5	<b>Συνθετικά (3):</b> Χρωματιστά ανθεκτικά, λίγο λερωμένα.	40°	800	-	-	●	●	3	44	0,53	39	100'
6	<b>ΦΡΕΣΚΑΡΙΣΜΑ 30':</b> Για το γρήγορο φρεσκάρισμα ρούχων ελαφρά λερωμένων (δεν ενδείκνυται για μάλλινα, μεταξωτά και ρούχα που πλένονται στο χέρι).	30°	800	-	-	●	●	3	71	0,25	33	30'
7	<b>ΦΡΕΣΚΑΡΙΣΜΑ 15':</b> Για το γρήγορο φρεσκάρισμα ρούχων ελαφρά λερωμένων (δεν ενδείκνυται για μάλλινα, μεταξωτά και ρούχα που πλένονται στο χέρι).	30°	800	-	-	●	●	1,5	71	0,08	29	15'
8	<b>ΚΥΚΛΟΣ ΑΠΟΣΤΕΙΡΩΣΗΣ:</b> Λευκά εξαιρετικά λερωμένα.	90°	1000	-	●	●	●	6	-	-	-	180'
9	<b>ΑΛΗΝΥΧΤΑ:</b> Χρωματιστά ευαίσθητα λίγο λερωμένα.	40°	800	-	-	●	●	4	-	-	-	280'
10	<b>ΠΑΥΣΗ ΓΙΑ ΜΩΡΑ:</b> Χρωματιστά ευαίσθητα λίγο λερωμένα.	40°	800	-	-	●	●	2	-	-	-	120'
11	<b>ΠΟΙΚΑΜΙΣΑ</b>	40°	600	-	-	●	●	2	-	-	-	80'
12	<b>ΜΕΤΑΞΩΤΑ/ ΚΟΥΡΤΙΝΕΣ:</b> Για μεταξωτά ρούχα, βισκόζη, λινά.	30°	0	-	-	●	●	1	-	-	-	55'
13	<b>Μ'ΑΛΛΙΝΑ:</b> Για μάλλινα, cachemire, κλπ.	40°	800	-	-	●	●	1	-	-	-	65'
☞	<b>ΞΕΒΓΑΛΜΑ ΒΑΜΒΑΚΕΡΑ</b>	-	1000	-	-	-	●	6	-	-	-	36'
☞	<b>ΣΤΥΨΙΜΟ ΑΝΘΕΚΤΙΚΑ</b>	-	1000	-	-	-	-	6	-	-	-	16'
☞	<b>ΑΜΟΧΕΤΕΥΣΗ ΝΕΡΟΥ</b>	-	0	-	-	-	-	6	-	-	-	2'

Η διάρκεια του κύκλου που φαίνεται στην οθόνη ή στο εγχειρίδιο αποτελεί μια εκτίμηση υπολογισμένη με βάση τις σπάνιες συνθήκες. Ο πραγματικός χρόνος μπορεί να ποικίλει με βάση πολυάριθμους παράγοντες όπως θερμοκρασία και πίεση του εισερχόμενου νερού, θερμοκρασία περιβάλλοντος, ποσότητα απορρυπαντικού, ποσότητα και τύπος φορτίου, ισοστάθμιση του φορτίου, πρόσθετες επιλεγμένες δυνατότητες.

**1) Πρόγραμμα ελέγχου σύμφωνα με την προδιαγραφή 1061/2010: θέστε το πρόγραμμα 60°C σε μια θερμοκρασία 60 °C.**

Ο κύκλος αυτός είναι κατάλληλος για τον καθαρισμό φορτίου βαμβακερών με συνηθισμένη βρωμιά και είναι ο πλέον αποτελεσματικός σε όρους κατανάλωσης ενέργειας και νερού, προς χρήση σε ρούχα πλενόμενα στους 60 °C. Η πραγματική θερμοκρασία πλυσίματος μπορεί να διαφέρει από την υποδεικνυόμενη.

**2) Πρόγραμμα ελέγχου σύμφωνα με την προδιαγραφή 1061/2010: θέστε το πρόγραμμα 40°C σε μια θερμοκρασία 40 °C.**

Ο κύκλος αυτός είναι κατάλληλος για τον καθαρισμό φορτίου βαμβακερών με συνηθισμένη βρωμιά και είναι ο πλέον αποτελεσματικός σε όρους κατανάλωσης ενέργειας και νερού, προς χρήση σε ρούχα πλενόμενα στους 40 °C. Η πραγματική θερμοκρασία πλυσίματος μπορεί να διαφέρει από την υποδεικνυόμενη.

Για όλα τα Test Institutes:

2) Πρόγραμμα βαμβακερών μακρύ: θέστε το πρόγραμμα 40°C σε μια θερμοκρασία 40 °C.

3) Συνθετικά πρόγραμμα μαζί: θέστε το πρόγραμμα 5 σε μια θερμοκρασία 40 °C.

**Κανονικό πρόγραμμα για βαμβακερά στους 20°:** (πρόγραμμα 4) ιδανικό για φορτία λερωμένων βαμβακερών. Οι καλές επιδόσεις και σε χαμηλή θερμοκρασία, συγκρίσιμες με ένα πλύσιμο στους 40°, εξασφαλίζονται από μια μηχανική δράση που λειτουργεί με μεταβολή ταχύτητας σε επαναλαμβανόμενες και κοντινές αυξομειώσεις.

**ΦΡΕΣΚΑΡΙΣΜΑ 30'** (πρόγραμμα 6) μελετήθηκε για το πλύσιμο ρούχων ελαφρά λερωμένων σε σύντομο χρόνο: διαρκεί μόνο 30 λεπτά και σας εξοικονομεί χρόνο και ενέργεια. Θέτοντας το πρόγραμμα (6 σε 30°C) μπορείτε να πλύνετε μαζί υφάσματα διαφορετικής φύσης (εκτός μάλλινων και μεταξωτών) με ένα μέγιστο φορτίο 3 kg.

**ΦΡΕΣΚΑΡΙΣΜΑ 15'** (πρόγραμμα 7) μελετήθηκε για το πλύσιμο ρούχων ελαφρά λερωμένων σε σύντομο χρόνο: διαρκεί μόνο 15 λεπτά και σας εξοικονομεί χρόνο και ενέργεια. Θέτοντας το πρόγραμμα (7 σε 30°C) μπορείτε να πλύνετε μαζί υφάσματα διαφορετικής φύσης (εκτός μάλλινων και μεταξωτών) με ένα μέγιστο φορτίο 1,5 kg.

**ΚΥΚΛΟΣ ΑΠΟΣΤΕΙΡΩΣΗΣ** (πρόγραμμα 8). Ένα εξυγιαντικό πρόγραμμα σε υψηλές θερμοκρασίες που προβλέπει τη χρήση λευκαντικού σε θερμοκρασίες ανώτερες των 60°C. Για τη λεύκανση χύστε το λευκαντικό, τα απορρυπαντικά και τα πρόσθετα στα σχετικά διαμερίσματα (βλέπε παράγραφο "Συρτάρι των απορρυπαντικών").

**ΑΛΗΝΥΧΤΑ** (πρόγραμμα 9). Είναι ένας αθόρυβος κύκλος που μπορεί να δουλεύει τη νύχτα όταν το τιμολόγιο του ηλεκτρικού είναι μειωμένο. Το πρόγραμμα μελετήθηκε για συνθετικά και βαμβακερά τούχα. Στο τέλος του κύκλου η μηχανή σταματάει με το νερό στη λεκάνη. Για το στύψιμο και το άδειασμα πιέστε το κουμπί START/PAUSE, διαφορετικά μετά από 8 ώρες η μηχανή θα κάνει αυτόματα το στύψιμο και το άδειασμα του νερού.

**ΠΑΥΣΗ ΓΙΑ ΜΩΡΑ** (πρόγραμμα 10). Πρόγραμμα ικανό να απομακρύνει τους λεκέδες τυπικούς των μωρών, διασφαλίζοντας την απομάκρυνση του απορρυπαντικού από τα ρούχα για την αποφυγή αλλεργιών στο ευαίσθητο δέρμα των μωρών. Ο κύκλος μελετήθηκε για να μειώνει το βακτηριδιακό φορτίο χρησιμοποιώντας μικρότερη ποσότητα νερού και βελτιστοποιώντας την επίδραση των ειδικών εξυγιαντικών πρόσθετων στο απορρυπαντικό. Στο τέλος του πλυσίματος η μηχανή διενεργεί αργές περιστροφές του κάδου για την αποφυγή δημιουργίας πτυχώσεων. Για να τελειώσει ο κύκλος πιέστε το κουμπί START/PAUSE.

# Εξατομικεύσεις

GR

## Θέστε τη θερμοκρασία

Στρέφοντας τον επιλογέα ΘΕΡΜΟΚΡΑΣΙΑ τίθεται η θερμοκρασία πλυσίματος (βλέπε *Πίνακα προγραμμάτων*).

Η θερμοκρασία μπορεί να μειωθεί μέχρι το πλύσιμο σε κρύο νερό (❄).

Το μηχάνημα θα παρεμποδίσει αυτόματα τη θέση θερμοκρασίας μεγαλύτερης της μέγιστης προβλεπόμενης για κάθε πρόγραμμα.

! Εξαίρεση: επιλέγοντας το πρόγραμμα  η θερμοκρασία μπορεί να αυξηθεί μέχρι 90°.

## Θέστε το στύψιμο

Στρέφοντας τον επιλογέα ΣΤΥΨΙΜΟ τίθεται η ταχύτητα στυψίματος του επιλεγμένου προγράμματος.

Οι μέγιστες προβλεπόμενες ταχύτητες για τα προγράμματα είναι:

Προγράμματα	Μέγιστη ταχύτητα
Βαμβακερά	1000 στροφές ανά λεπτό
Συνθετικά	800 στροφές ανά λεπτό
Μάλλινα	800 στροφές ανά λεπτό
Μεταξωτά	μόνο άδειασμα

Η ταχύτητα στυψίματος μπορεί να ελαττωθεί ή να αποκλειστεί επιλέγοντας το σύμβολο .

Το μηχάνημα θα παρεμποδίσει αυτόματα τη διενέργεια στυψίματος μεγαλύτερου του μέγιστου προβλεπόμενου για κάθε πρόγραμμα.

## Λειτουργίες

Οι διάφορες λειτουργίες πλυσίματος που προβλέπονται από το πλυντήριο επιτρέπουν την επίτευξη του καθαρισμού και του λευκού που επιθυμείτε.

Για την ενεργοποίηση των λειτουργιών:

- πιέστε το πλήκτρο το σχετικό με την επιλεγμένη λειτουργία.
- Το άναμμα του ενδεικτικού φωτός επισημαίνει ότι η λειτουργία είναι ενεργή.

Παρατήρηση: Το γρήγορο αναβοσβήσιμο του ενδεικτικού φωτός δείχνει ότι η σχετική λειτουργία δεν μπορεί να επιλεγεί για το τεθέν πρόγραμμα.

## Καθυστερημένη εκκίνηση

Καθυστερεί την εκκίνηση του μηχανήματος μέχρι 12 ώρες.

Πιέστε πολλές φορές το πλήκτρο μέχρι να ανάψει το ενδεικτικό φωτάκι το σχετικό με την επιθυμητή καθυστέρηση. Στην πέμπτη φορά που θα πιέσετε το κουμπί η λειτουργία θα απενεργοποιηθεί.

**ΣΗΜΕΙΩΣΗ:** Αφού πατηθεί το πλήκτρο START/PAUSE, μπορείτε να αλλάξετε την τιμή καθυστέρησης μόνο μειώνοντάς την.

! Είναι ενεργό με όλα τα προγράμματα.

## Εύκολο σιδέρωμα

Επιλέγοντας τη λειτουργία αυτή, το πλύσιμο και το στύψιμο θα τροποποιηθούν κατάλληλα για τη μείωση σχηματισμού τσαλακωμάτων.

Στο πρόγραμμα 11 η μηχανή θα τελειώσει τον κύκλο με την μπουγάδα σε μούλιασμα και το ενδεικτικό φωτάκι της λειτουργίας ΕΥΚΟΛΟ ΣΙΔΕΡΩΜΑ και της ΕΚΚΙΝΗΣΗΣ/ΠΑΥΣΗΣ θα αναβοσβήνουν (πορτοκαλί) και η φάση ΞΕΒΓΑΛΜΑΤΟΣ θα παραμείνει συνεχώς αναμμένη. Για να αδειάσετε το νερό και να μπορείτε να βγάλετε την μπουγάδα πρέπει να πατήσετε το κουμπί START/PAUSE ή το κουμπί ΕΥΚΟΛΟ ΣΙΔΕΡΩΜΑ.

! Δεν είναι ενεργό στα προγράμματα 6, 7, 8, 9, 10, 13, , , .

## Έξτρα Ξέβγαλμα

Επιλέγοντας τη δυνατότητα αυτή αυξάνεται η αποτελεσματικότητα του ξεβγάλματος και εξασφαλίζεται η μέγιστη απομάκρυνση του απορρυπαντικού. Είναι χρήσιμο για επιδερμίδες ιδιαίτερα ευαίσθητες.

! Δεν είναι ενεργό στα προγράμματα 6, 7, , .

## Super Wash

Χάρη στη χρήση μεγαλύτερης ποσότητας νερού στην αρχική φάση του κύκλου και στη χρήση περισσότερου χρόνου, η δυνατότητα αυτή εξασφαλίζει ένα πλύσιμο υψηλών επιδόσεων.

! Δεν είναι ενεργό στα προγράμματα 4, 6, 7, 8, 12, 13, , , .



# Απορρυπαντικά και μπουγάδα

GR

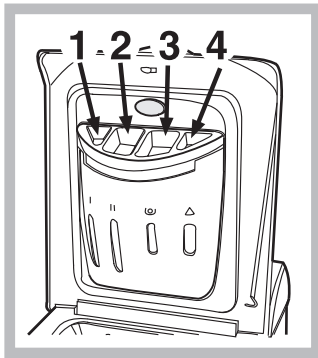
## Θήκη απορρυπαντικών

Το καλό αποτέλεσμα του πλυσίματος εξαρτάται επίσης και από τη σωστή δόσολογία του απορρυπαντικού: υπερβάλλοντας δεν πλύνουμε αποτελεσματικότερα και επιπλέον συντελούμε στη δημιουργία κρούστας στα εσωτερικά μέρη του πλυντηρίου και στη μόλυνση του περιβάλλοντος.

! Μη χρησιμοποιείτε απορρυπαντικά για πλύσιμο στο χέρι, διότι παράγουν πολύ αφρό.

! Να χρησιμοποιείτε απορρυπαντικά σε σκόνη για ρούχα λευκά βαμβακερά και για την πρόπλυση και για πλυσίματα σε θερμοκρασία μεγαλύτερη των 60°C.

! Ακολουθήστε τις υποδείξεις που αναγράφονται στη συσκευασία του απορρυπαντικού.



Βγάλτε τη θήκη απορρυπαντικών και εισάγετε το απορρυπαντικό ή το πρόσθετο ως εξής.

**Λεκανίτσα 1: Απορρυπαντικό για πρόπλυση (σε σκόνη)**

**Λεκανίτσα 2: Απορρυπαντικό για πλύσιμο (σε σκόνη ή σε υγρό)**

το υγρό απορρυπαντικό είναι καλό να το εγχύετε απ' ευθείας στη λεκάνη μέσω της αντίστοιχης μπαλίτσας δοσομέτρησης.

**Λεκανίτσα 3: Πρόσθετα (μαλακτικό, κλπ.)**

Όταν χύνετε το μαλακτικό στο διαμέρισμα 3, προσέξτε να μην ξεπεράσει την υποδεικνυόμενη στάθμη "max".

Το μαλακτικό εισάγεται αυτόματα στη μηχανή κατά το τελευταίο ξέβγαλμα. Στο τέλος του προγράμματος πλύσης στο διαμέρισμα 3 παραμένει υπόλειμμα νερού. Αυτό χρησιμεύει για την εισχώρηση πολύ πυκνών μαλακτικών, δηλαδή για να αραιώσει τα συμπυκνωμένα. Αν στο διαμέρισμα 3 παραμένει νερό περισσότερο από το κανονικό, αυτό σημαίνει ότι η διάταξη εκκένωσης είναι βουλωμένη. Για τον καθαρισμό βλέπε "Συντήρηση και φροντίδα".

**Λεκανίτσα 4: Χλωρίνη**

## Κύκλος λεύκανσης

Η λεύκανση μπορεί να διενεργηθεί μόνο με τα προγράμματα **8**. Χύστε το λευκαντικό στη θήκη **4**, το απορρυπαντικό και το μαλακτικό στις σχετικές λεκανίσες, κατόπιν θέστε ένα από τα προαναφερθέντα προγράμματα.

Ενδείκνυται μόνο για ρούχα βαμβακερά πολύ λερωμένα.

## Προετοιμασία της μπουγάδας

- Χωρίστε τη μπουγάδα ανάλογα:
  - με το είδος του υφάσματος/ το σύμβολο της ετικέτας.
  - τα χρώματα: χωρίστε τα χρωματιστά ρούχα από τα λευκά.
- Εκκενώστε τις τσέπες και ελέγξτε τα κουμπιά.
- Μην ξεπερνάτε τις υποδεικνυόμενες τιμές στον "Πίνακα των Προγραμμάτων" σε σχέση με το βάρος της στεγνής μπουγάδας.

**Πόσο ζυγίζει η μπουγάδα;**

- 1 σεντόνι 400-500 gr.
- 1 μαξιλαροθήκη 150-200 gr.
- 1 τραπεζομάντιλο 400-500 gr.
- 1 μπουρνούζι 900-1.200 gr.
- 1 πετσέτα 150-250 gr.

## Ειδικά ρούχα

**Ποικαμισα:** χρησιμοποιήστε το αντίστοιχο πρόγραμμα **11** για να πλύνετε πουκάμισα διαφόρων ειδών υφάσματος και χρώματος.

Εξασφαλίζει τη μέγιστη φροντίδα ελαχιστοποιώντας το σχηματισμό τσαλακωμάτων.

**Μεταξωτά:** χρησιμοποιήστε το αντίστοιχο πρόγραμμα **12** για να πλύνετε όλα τα μεταξωτά ρούχα. Συνιστάται η χρήση ενός ειδικού απορρυπαντικού για ευαίσθητα ρούχα.

**Κουρτίνες:** διπλώστε τις μέσα σε ένα μαξιλάρι ή σε ένα δικτυωτό σακούλι. Χρησιμοποιήστε το πρόγραμμα **12**.

**Ϊϋέεείά:** Ο κύκλος πλυσίματος "Μάλλινα" αυτού του πλυντηρίου Hotpoint-Ariston δοκιμάστηκε και εγκρίθηκε από την Woolmark Company για το πλύσιμο ρούχων μάλλινων που ταξινομούνται ως "πλενόμενα στο χέρι", αρκεί το πλύσιμο να εκτελείται σύμφωνα με τις οδηγίες της ετικέτας του ενδύματος και τις υποδείξεις του κατασκευαστή της οικιακής ηλεκτρικής συσκευής. Η Hotpoint-Ariston είναι η πρώτη μάρκα που απέκτησε από την Woolmark Company την πιστοποίηση Woolmark Apparel Care - Platinum για τις επιδόσεις της στο πλύσιμο και τη χαμηλή κατανάλωση νερού και ενέργειας.



## Σύστημα ισοστάθμισης του φορτίου

Πριν από κάθε στύψιμο, για να αποφύγετε δονήσεις υπερβολικές και για να κατανείμμε ομοιόμορφα το φορτίο, ο κάδος διενεργεί περιστροφές σε μια ταχύτητα ελαφρά ανώτερη εκείνης του πλυσίματος. Αν στο τέλος των διαδοχικών προσπαθειών το φορτίο δεν έχει ακόμη εξισορροπηθεί σωστά η μηχανή διενεργεί το στύψιμο σε μια ταχύτητα χαμηλότερη της προβλεπόμενης. Παρουσία υπερβολικής αστάθειας, το πλυντήριο διενεργεί την κατανομή αντί του στυψίματος. Για να ευνοηθεί καλύτερη κατανομή του φορτίου και της σωστής εξισορρόπησης συνιστάται η ανάμιξη ρούχων μεγάλων και μικρών διαστάσεων.



# Ανωμαλίες και λύσεις

Μπορεί να συμβεί το πλυντήριο να μη λειτουργεί. Πριν τηλεφωνήσετε στην Υποστήριξη (βλέπε “Υποστήριξη”), ελέγξτε αν δεν πρόκειται για πρόβλημα που επιλύεται εύκολα με τη βοήθεια του ακόλουθου καταλόγου.

## Ανωμαλίες:

## Δυνατά αίτια / Λύση:

**Το πλυντήριο δεν ανάβει.**

- Το βύσμα δεν έχει εισαχθεί στην ηλεκτρική πρίζα ή τουλάχιστον όχι αρκετά για να κάνει επαφή.
- Στο σπίτι δεν υπάρχει ρεύμα.

**Ο κύκλος πλυσίματος δεν ξεκινάει.**

- Η πόρτα δεν είναι καλά κλειστή.
- Το κουμπί ANAMMA/ΣΒΗΣΙΜΟ δεν πατήθηκε.
- Το κουμπί START/PAUSE δεν πατήθηκε.
- Η βρύση του νερού δεν είναι ανοιχτή.
- Τέθηκε μια καθυστέρηση στον χρόνο εκκίνησης (βλέπε «Εξατομικεύσεις»).

**Το πλυντήριο δεν φορτώνει νερό (αναβοσβήνει γρήγορα το ενδεικτικό φωτάκι της πρώτης φάσης πλύσης).**

- Ο σωλήνας τροφοδοσίας του νερού δεν είναι συνδεδεμένος στον κρουνό.
- Ο σωλήνας είναι διπλωμένος.
- Η βρύση του νερού δεν είναι ανοιχτή.
- Στο σπίτι λείπει το νερό.
- Δεν υπάρχει αρκετή πίεση.
- Το κουμπί START/PAUSE δεν πατήθηκε.

**Το πλυντήριο φορτώνει και αδειάζει νερό συνεχώς.**

- Ο σωλήνας αδειάσματος δεν έχει εγκατασταθεί μεταξύ 65 και 100 cm από το έδαφος (βλέπε «Εγκατάσταση»).
- Το άκρο του σωλήνα αδειάσματος είναι βυθισμένο στο νερό (βλέπε «Εγκατάσταση»).
- Το επιτοίχιο άδειασμα δεν έχει απαέρωση.

Αν μετά από αυτούς τους ελέγχους το πρόβλημα δεν λύνεται, κλείστε τη βρύση του νερού, σβήστε το πλυντήριο και καλέστε την υποστήριξη. Αν η κατοικία βρίσκεται στους τελευταίους ορόφους ενός κτιρίου, μπορεί να διαπιστωθούν φαινόμενα σιφωνισμού, οπότε το πλυντήριο φορτώνει και αδειάζει νερό συνεχώς. Για την αντιμετώπιση του προβλήματος διατίθενται στο εμπόριο κατάλληλες βαλβίδες αντι-σιφωνισμού.

**Το πλυντήριο δεν φορτώνει ή δεν στύβει.**

- Το πρόγραμμα δεν προβλέπει το άδειασμα: με ορισμένα προγράμματα πρέπει να το εκκινήσετε χειρονακτικά.
- Είναι ενεργή η λειτουργία ΕΥΚΟΛΟ ΣΙΔΕΡΩΜΑ: για την ολοκλήρωση του προγράμματος πιέστε το κουμπί START/PAUSE («Εξατομικεύσεις»).
- Ο σωλήνας αδειάσματος είναι διπλωμένος (βλέπε «Εγκατάσταση»).
- Ο αγωγός εκκένωσης είναι βουλωμένος.

**Το πλυντήριο δονείται πολύ κατά το στύψιμο.**

- Ο κάδος, τη στιγμή της εγκατάστασης, δεν ξεμπλόκαρε σωστά (βλέπε «Εγκατάσταση»).
- Το πλυντήριο δεν είναι οριζοντιωμένο (βλέπε «Εγκατάσταση»).
- Το πλυντήριο είναι πολύ στενά μεταξύ τοίχου και επίπλων (βλέπε «Εγκατάσταση»).

**Το πλυντήριο χάνει νερό.**

- Ο σωλήνας τροφοδοσίας του νερού δεν είναι καλά βιδωμένος (βλέπε «Εγκατάσταση»).
- Η θήκη των απορρυπαντικών είναι βουλωμένη (για να την καθαρίσετε βλέπε «Συντήρηση και φροντίδα»).
- Ο σωλήνας αδειάσματος δεν έχει στερεωθεί καλά (βλέπε «Εγκατάσταση»).

**Το ενδεικτικό φωτάκι START/PAUSE (πορτοκαλί) και τα ενδεικτικά φωτάκια αναβοσβήνουν γρήγορα.**

- Σβήστε τη μηχανή και βγάλτε το βύσμα από την πρίζα, περιμένετε περίπου 1 λεπτό μετά ξανανάψτε τη. Αν η ανωμαλία επιμένει, καλέστε την Υποστήριξη.

**Σχηματίζεται πολύς αφρός.**

- Το απορρυπαντικό δεν είναι ειδικό για πλυντήριο (πρέπει να υπάρχει η ένδειξη “για πλυντήριο”, “για πλύσιμο στο χέρι και στο πλυντήριο”, ή παρόμοια).
- Η δοσολογία υπήρξε υπερβολική.

# Υποστήριξη

---

GR

## **Πριν επικοινωνήσετε με την Υποστήριξη:**

- Ελέγξτε αν η ανωμαλία μπορεί να την αντιμετωπίσετε μόνοι σας (βλέπε “Ανωμαλίες και λύσεις”);
- Επανεκκινήστε το πρόγραμμα για να ελέγξετε αν το πρόβλημα αντιμετωπίστηκε;
- Σε αρνητική περίπτωση, επικοινωνήστε με την εξουσιοδοτημένη Τεχνική Υποστήριξη στον τηλεφωνικό αριθμό που υπάρχει στο πιστοποιητικό εγγύησης.

**!** Μην καταφεύγετε ποτέ σε μη εξουσιοδοτημένους τεχνικούς.

## **Γνωστοποιήστε:**

- το είδος της ανωμαλίας;
- το μοντέλο του μηχανήματος (Mod.);
- τον αριθμό σειράς (S/N).

Οι πληροφορίες αυτές βρίσκονται στην ταμπελίτσα που υπάρχει στο πίσω μέρος του πλυντηρίου.

CZ

Česky

ARTXL 109

CZ

## Obsah

### Instalace, 62-63

Rozbalení a vyrovnání do vodorovné polohy  
Připojení k elektrické síti a k rozvodu vody  
První prací cyklus  
Technické údaje

### Údržba a péče, 64

vypnutí elektrického napájení  
Čištění pračky  
Péče o dvířka a buben  
Čištění čerpadla  
Kontrola přítokové hadice  
Jak se čistí dávkovač pracích prostředků

### Opatření a rady, 65

Základní bezpečnostní pokyny  
Likvidace  
Jak ušetřit a brát ohled na životní prostředí

### Popis pračky a zahájení pracího programu, 66-67

Ovládací panel  
Kontrolky  
Jak se otvírá a zavírá prací buben  
Zahájení pracího programu

### Prací programy, 68

Tabulka programů

### Uživatelská nastavení, 69

Nastavení teploty  
Nastavení rychlosti odstředování  
Funkce

### Prací prostředky a prádlo, 70

Dávkovač pracích prostředků  
Cyklus bělení  
Příprava prádla  
Oděvy vyžadující zvláštní péči  
Systém automatického vyvážení náplně

### Poruchy a způsob jejich odstranění, 71

### Servisní služba, 72

Před přivoláním servisní služby

# Instalace

CZ

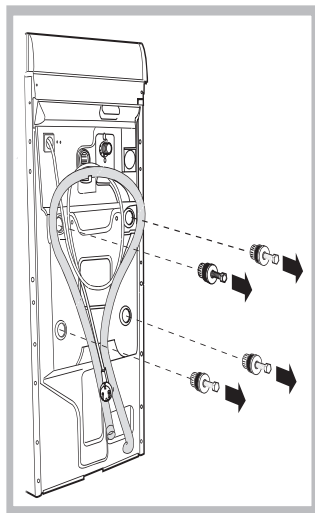
! Je velmi důležité uschovat tento návod za účelem jeho další konzultace. V případě prodeje, darování anebo přestěhování pračky se ujistěte, že zůstane uložen v blízkosti pračky, aby mohl posloužit novému majiteli při seznámení se s činností a s příslušnými upozorněními.

! Pozorně si přečtěte uvedené pokyny: obsahují důležité informace týkající se instalace, použití a bezpečnosti při práci.

## Rozbalení a vyrovnání do vodorovné polohy

### Rozbalení

1. Rozbalte pračku.  
2. Zkontrolujte, zda během přepravy nedošlo k jejímu poškození. V případě, že je poškozena, nezapojte ji a obraťte se na prodejce.



3. Odstraňte čtyři šrouby s gumovou podložkou a s příslušnou rozpěrkou, nacházející se v zadní části (viz obrázek), sloužící na ochranu během přepravy.

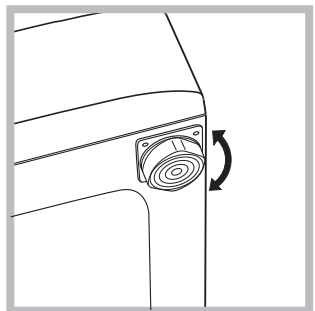
4. Uzavřete otvory po šroubech plastovými krytkami.

5. Uschovejte všechny díly: v případě opětovné přepravy pračky je bude třeba namontovat zpátky.

**Upozornění:** v případě opětovného použití musí být kratší šrouby použity na montáž v horní poloze.  
! Obaly nejsou hračky pro děti!

### Vyrovnání do vodorovné polohy

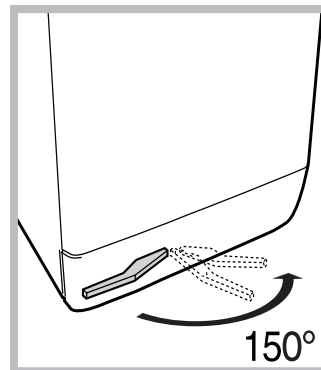
1. Pračku je třeba umístit na rovnou a pevnou podlahu, bez toho, aby byla opřená o stěnu, nábytek anebo něco jiného.



2. V případě, když podlaha není dokonale vodorovná, mohou být případné rozdíly vykompenzovány šroubováním předních nožek (viz obrázek). Úhel sklonu, naměřen na pracovní ploše, nesmí přesáhnout 2°.

Dokonalé vyrovnání do vodorovné polohy zabezpečí stabilitu zařízení a zamezí vzniku vibrací a hluku během činnosti. V případě instalace na podlahovou krytinu anebo na koberec, nastavte nožičky tak, aby pod pračkou zůstal dostatečný volný prostor pro ventilaci.

### Umístění, přemísťování

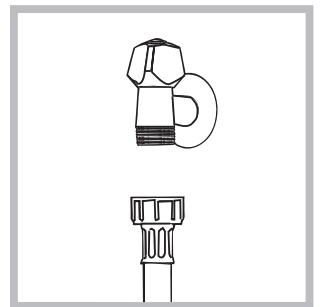


Je-li pračka vybavena speciálním podvozkem se zasouvacími kolečky, lze ji lehce přemístit. Tento podvozek umožňující její přemístění bez vynaložení větší námahy se vysune zatažením za páku umístěnou vlevo dole.

Po přemístění pračky vraťte páku do původní polohy. Stroj je pak pevně usazen na zvoleném místě. (Viz obrázek; pouze u některých modelů)

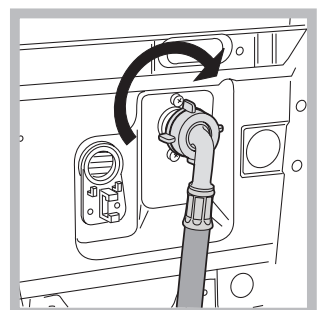
### Připojení k elektrické síti a k rozvodu vody

#### Připojení přítokové hadice



1. Připojte přívodní hadici jejím zašroubováním ke kohoutku studené vody s hrdlem se závitem 3/4" (viz obrázek).

Před připojením hadice nechte vodu odtékat, dokud nebude čirá.



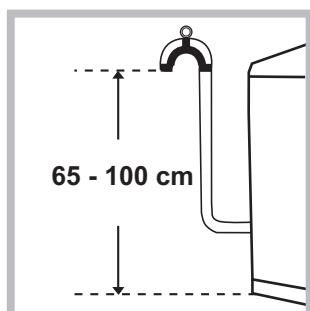
2. Připojte přítokovou hadici k pračce prostřednictvím příslušného vstupního hrdla, umístěného vpravo nahoře (viz obrázek).  
3. Dbejte na to, aby hadice nebyla příliš ohnuta anebo stlačena.

! Tlak v rozvodu vody se musí pohybovat v rozmezí hodnot uvedených v tabulce s technickými údaji (viz vedlejší strana).

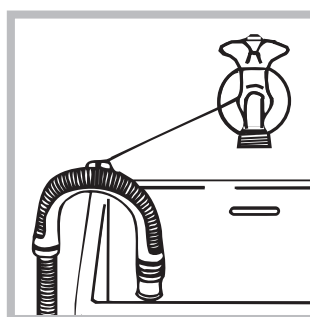
! V případě, že délka přítokové hadice nebude dostatečná, obraťte se na specializovanou prodejnu anebo na autorizovaný technický personál.

! Nikdy nepoužívejte již použité hadice.

## Připojení odtokové hadice



Připojte vypouštěcí hadici, k odpadovému potrubí anebo k odpadu ve stěně, nacházejícímu se od 65 do 100 cm nad zemí; zamezte jejímu ohybu;



anebo ji zachyťte na okraj umývadla či vany, a připevněte ji ke kohoutku prostřednictvím držáku z příslušenství (viz obrázek). Volný konec vypouštěcí hadice nesmí zůstat ponořen do vody.

! Použití prodlužovacích hadic se nedoporučuje; je-li však nezbytné, prodlužování hadice musí mít stejný průměr jako originální hadice a její délka nesmí přesáhnout 150 cm.

## Připojení k elektrické síti

Před zasunutím zástrčky do zásuvky se ujistěte, že:

- zásuvka je uzemněna a že vyhovuje normám;
- zásuvka je schopna snést maximální zátěž odpovídající jmenovitému příkonu zařízení, uvedenému v tabulce technickými údaji (viz *vedle*);
- hodnota napájecího napětí odpovídá údajům uvedeným v tabulce s technickými údaji (viz *vedle*);
- zásuvka je kompatibilní se zástrčkou pračky. V opačném případě je třeba vyměnit zástrčku.

! Pračka nesmí být umístěna venku – pod širým nebem, a to ani v případě, kdyby se jednalo o místo chráněné před nepřízní počasí, protože je velmi nebezpečné vystavit ji působení deště a bouří.

! Po definitivním umístění pračky musí zásuvka zůstat lehce přístupná.


! Nepoužívejte prodlužování kabely a rozvodky.

! Kabel nesmí být ohnut anebo stlačen.

! Výměna kabelu musí být svěřena výhradně autorizovanému technickému personálu.

Upozornění! Výrobce neponese žádnou odpovědnost za následky nerespektování uvedených předpisů.

## První prací cyklus

Po instalaci zařízení je třeba ještě předtím, než je použijete na praní prádla, provést jeden zkušební cyklus s pracím prostředkem a bez náplně prádla nastavením pracího programu .

Technické údaje	
<b>Model</b>	ARTXL 109
<b>Rozměry</b>	šířka 40 cm výška 85 cm hloubka 60 cm
<b>Kapacita</b>	od 1 do 6 kg
<b>Napájení</b>	Viz štítek s technickými údaji, aplikovaný na zařízení.
<b>Připojení k rozvodu vody</b>	maximální tlak 1 MPa (10 bar) minimální tlak 0.05 MPa (0.5 bar) kapacita bubny 42 litrů
<b>Rychlost odstředování</b>	až do 1000 otáček za minutu
<b>Kontrolní programy podle směrnic 1061/2010 a 1015/2010</b>	program  ; standardní program pro bavlnu pro praní při 60 °C. program  ; standardní program pro bavlnu pro praní při 40 °C.
	Toto zařízení odpovídá následujícím normám Evropské unie: - 2004/108/CE (Elektromagnetická kompatibilita) - 2006/95/CE (Nízké napětí) - 2002/96/CE
<b>Hlučnost (dB(A) re 1 pW)</b>	Praní: 59 Odstředování: 69

# Údržba a péče

CZ

## Uzavření přívodu vody a vypnutí elektrického napájení

- Po každém praní uzavřete přívod vody. Tímto způsobem dochází k omezení opotřebení pračky a ke snížení nebezpečí úniku vody.
- Před zahájením čištění pračky a během operací údržby je třeba vytáhnout zástrčku přívodního kabelu ze zásuvky.

## Čištění pračky

Vnější části a části z gumy mohou být čištěny hadrem navlhčeným ve vlažné vodě a saponátu. Nepoužívejte rozpouštědla anebo brusné prostředky.

## Čištění dávkovače pracích prostředků

Vytáhněte dávkovač jeho nadzvednutím a vytáhnutím směrem ven (viz obrázek). Umyjte ho pod proudem vody; tento druh vyčištění je třeba vykonávat pravidelně.

## Péče o dvířka a buben

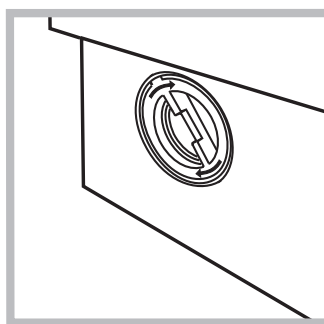
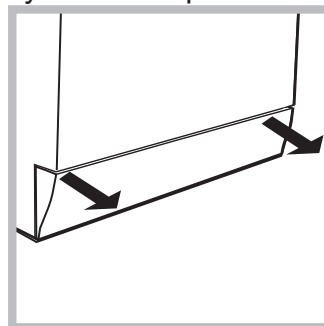
- Dvířka ponechte po každé pootevřeny, aby se zabránilo tvorbě nepříjemných zápachů.

## Čištění čerpadla

Součástí pračky je samočisticí čerpadlo, která nevyžaduje zvláštní péči. Může se však stát, že se v jeho vstupní části, určené na jeho ochranu, a nacházející se v jeho spodní části, zachytí drobné předměty (mince, knoflíky).

! Ujistěte se, že prací cyklus byl ukončen a vytáhněte zástrčku ze zásuvky.

K znovuzískání případných předmětů spadlých do vstupní části:



1. tahem rukou směrem od bočnic sundat podložku dolů na zadní stranu pračky (viz obrázek);
2. odšroubujte vrchní kryt otáčením proti směru hodinových ručiček (viz obrázek): vytečení malého množství vody je zcela běžným jevem;
3. dokonale vyčistěte vnitřek vstupní části čerpadla;
4. nasadte zpátky vrchní kryt;
5. namontujte zpátky krycí panel, přičemž se, před jeho přisunutím k pračce ujistěte, že došlo k správnému zachycení háčků do příslušných otvorů.

## Kontrola přítokové hadice

Stav přítokové hadice je třeba zkontrolovat alespoň jednou ročně. Jsou-li na ní viditelné praskliny anebo trhliny, je třeba ji vyměnit: silný tlak působící na hadici během pracího cyklu by mohl způsobit její náhlé roztrhnutí.

! Nikdy nepoužívejte již použité hadice.

## Jak se čistí dávkovač pracích prostředků

### Demontáž:

Zlehka zatlačit na velké tlačítko nacházející se ve přední části dávkovače pracích prostředků a vytáhnout ho směrem nahoru (obr. 1).

### Čištění:

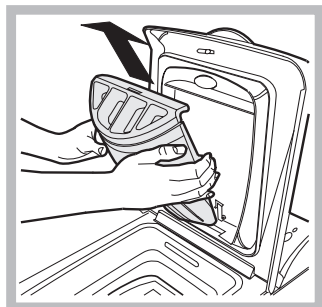
Očistit dávkovač pod kohoutkem (obr.3) s tekoucí vodou pomocí starého zubního kartáčku a, po vytažení páru sifonů uložených v horní části přihrádek 1 a 2 (obr. 4) zkontrolovat, nejsou-li ucpaný a omýt je pod vodou.

### Zpětná montáž:

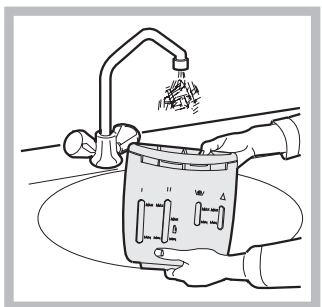
Nezapomeň vložit na původní místo sifony a pak vlož i dávkovač (obr. 4, 2, 1).



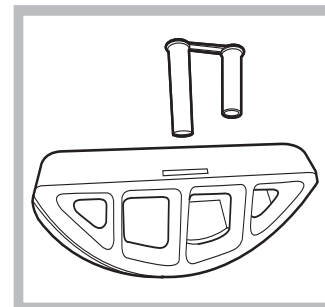
Obr. 1



Obr. 2



Obr. 3



Obr. 4



# Opatření a rady

! Pračka byla navržena a vyrobena v souladu s platnými mezinárodními bezpečnostními předpisy. Tato upozornění jsou uváděna z bezpečnostních důvodů a je třeba si je pozorně přečíst.

## Základní bezpečnostní pokyny

- Toto zařízení mohou používat děti od 8 let a osoby se sníženými fyzickými, sensorickými nebo duševními schopnostmi nebo osoby s nedostatečnými zkušenostmi a znalostmi, když se nacházejí pod náležitým dohledem nebo když byly náležitě vyškoleny ohledně bezpečného použití zařízení a uvědomují si související nebezpečí. Děti si nesmí hrát se zařízením. Děti nesmí provádět operace údržby a čištění bez dohledu.
- Pračku mohou používat pouze dospělé osoby podle pokynů uvedených v tomto návodu.
- Toto zařízení bylo navrženo výhradně pro použití v domácnosti.
- Nedotýkejte se zařízení bosí nebo v případě, že máte mokré ruce či nohy.
- Nevytahujte zástrčku ze zásuvky tahem za kabel, ale uchopením za zástrčku.
- Neotvírejte dávkovač pracích prostředků během činnosti zařízení.
- Nedotýkejte se odčerpávané vody, protože může mít velmi vysokou teplotu.
- Nepokoušejte se o násilné otevření dvířek: mohlo by dojít k poškození bezpečnostního uzávěru, který zabraňuje náhodnému otevření.
- Při výskytu poruchy se v žádném případě nepokoušejte o opravu vnitřních částí zařízení.
- Vždy mějte pod kontrolou děti a zabraňte tomu, aby se přibližovaly k zařízení během pracího cyklu.
- Během pracího cyklu mají dvířka tendenci ohřát se.
- V případě potřeby přemíst'ujte pračku ve dvou nebo ve třech a věnujte celé operaci maximální pozornost. Nikdy se nepokoušejte zařízení přemíst'ovat sami, je totiž velmi těžké.
- Před zahájením vkládání prádla zkontrolujte, zda je buben prázdný.

## Likvidace

- Likvidace obalových materiálů: při jejich odstranění postupujte v souladu s místními předpisy a dbejte na možnou recyklaci.
- Evropská směrnice 2002/96/EC o odpadních elektrických a elektronických zařízeních stanovuje, že staré domácí elektrické spotřebiče nesmí být odkládány do běžného netříděného domovního odpadu. Staré spotřebiče musí být odevzdány do odděleného sběru, a to za účelem recyklace a optimálního využití materiálů, které obsahují, a z důvodu předcházení negativním dopadům na lidské zdraví a životní prostředí.

Symbol “přeškrtnuté popelnice” na výrobku vás upozorňuje na povinnost odevzdat zařízení po skončení jeho životnosti do odděleného sběru.

Spotřebitelé by měli kontaktovat příslušné místní úřady nebo svého prodejce ohledně informací týkajících se správné likvidace starého zařízení.

## Jak ušetřit a brát ohled na životní prostředí

### Technika ve službách životního prostředí

Vysvětlením toho, že uvnitř pračky je vidět málo vody, je skutečnost, že nový způsob praní Ariston umožňuje dokonale vyprat prádlo s použitím méně než polovičního množství vody: jedná se o dosažení vytyčeného cíle s ohledem na životné prostředí.

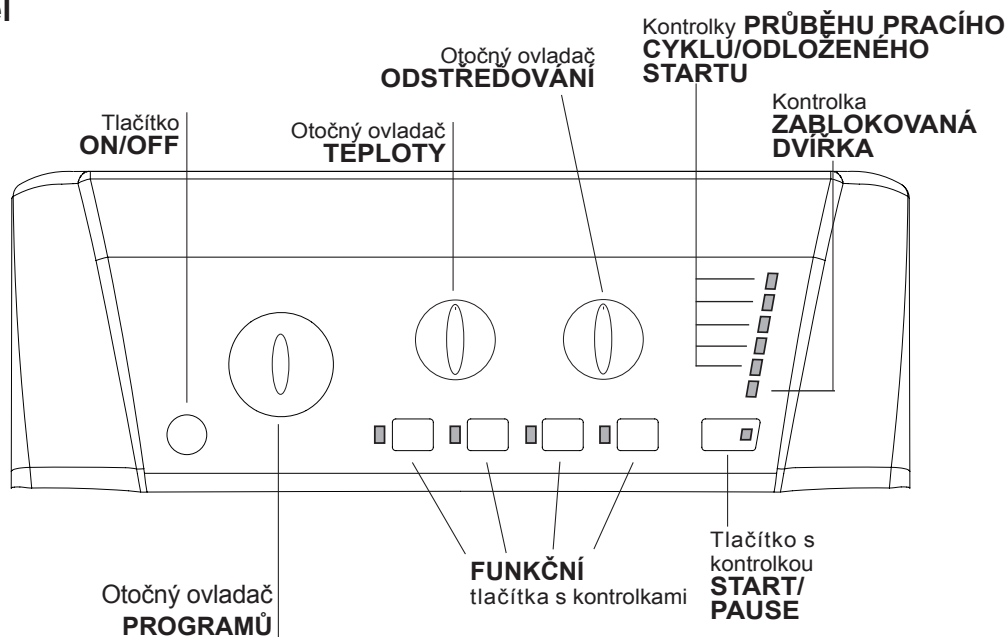
### Šetření pracími prostředky, vodou, energií a časem

- Aby nedocházelo k plýtvání, je třeba používat pračku s plnou náplní. Jedna plná náplň, ve srovnání se dvěma polovičními, umožňuje ušetřit až 50% energie.
- Předpírání je potřebné pouze při praní silně znečištěného prádla. Prací program bez předpírání umožňuje ušetřit od 5 do 15% energie.
- Při aplikaci příslušného prostředku proti skvrnám anebo jejich namočením před zahájením praní, je možné vyhnout se praní při vysokých teplotách. Použití stejného pracího programu při teplotě 60°C namísto 90°C anebo 40°C namísto 60°C, umožňuje ušetřit až 50% energie.
- Správné dávkování pracího prostředku, s ohledem na tvrdost vody, stupeň znečištění a množství praného prádla zabraňuje plýtvání a chrání životní prostředí: i když se jedná o biodegradabilní látky, prací prostředky narušují přirozenou rovnováhu v přírodě. Dále se je třeba, dle možností, vyhnout použití aviváže.
- V případě, že prádlo má být vysušeno v sušičce, zvolte vysokou rychlost odstředování. Malé množství vody umožňuje šetřit čas a energii během sušícího programu.

# Popis pračky a zahájení pracího programu

## Ovládací panel

CZ



Tlačítko **ON/OFF**: slouží k zapnutí a vypnutí pračky.

Otočný ovladač **PROGRAMŮ**: pro nastavení pracích programů. Během pracího programu zůstane ve stejné poloze.

**FUNKČNÍ** tlačítka s kontrolkami: slouží k volbě jednotlivých dostupných funkcí. Kontrolka zvolené funkce zůstane rozsvícena.

Otočný ovladač **ODSTŘEDOVÁNÍ**: slouží k nastavení odstředování nebo k jeho vyloučení (viz „Uživatelská nastavení“).

Otočný ovladač **TEPLOTY**: slouží k nastavení teploty praní nebo praní ve studené vodě (viz „Uživatelská nastavení“).

Kontrolky **PRŮBĚHU PRACÍHO CYKLU/ODLOŽENÉHO STARTU**: slouží ke kontrole průběhu pracího programu. Rozsvícená kontrolka poukazuje na probíhající fázi. V případě, že byla nastavena funkce „Odloženého startu“, budou informovat o čase zbývajícím do zahájení pracího programu (viz vedlejší strana).

Kontrolka **ZABLOKOVANÁ DVÍŘKA**: informuje o tom, zda je možné otevřít dvířka (viz vedlejší strana).

Tlačítko s kontrolkou **START/PAUSE**: Slouží ke spuštění nebo dočasnému přerušení programů.

**POZN.:** Stisknutí tohoto tlačítka slouží k přerušení probíhajícího praní; příslušná kontrolka bude blikat oranžovým světlem, zatímco kontrolka probíhající fáze zůstane rozsvícena stálým světlem. Když bude kontrolka **ZABLOKOVANÁ DVÍŘKA** zhasnuta, bude možné otevřít dvířka. Za účelem opětovného zahájení praní z bodu, ve kterém bylo přerušeno, znovu stiskněte toto tlačítko.

### Pohotovostní režim

Za účelem shody s novými předpisy souvisejícími s energetickou úsporou je tato pračka vybavena systémem automatického vypnutí (přechodu do pohotovostního režimu – standby), který je aktivován po uplynutí 30 minut, když se pračka nepoužívá. Krátce stiskněte tlačítko **ON/OFF** a vyčkejte na obnovení činnosti zařízení.

Spotřeba v off-mode: 0,5 W

Spotřeba v Left-on: 0,5 W

### Kontrolky

Kontrolky jsou zdrojem důležitých informací. Informují nás o následujících skutečnostech:

### Odložený start

Když byla aktivována funkce „Odloženého startu“ (viz „Uživatelská nastavení“), po zahájení pracího programu začne blikat příslušná kontrolka zvoleného odložení:



Průběžně bude zobrazován čas zbývajcí do startu a zobrazování bude provázeno blikáním příslušné kontrolky:



Po uplynutí zvolené doby odložení kontrolka zhasne a bude zahájen nastavený prací program.

### Kontrolka aktuální fáze pracího programu:

Po zvolení a zahájení požadovaného pracího cyklu dojde k postupnému rozsvícení kontrolky informujících o jeho průběhu.

Praní	
Máchání	
Odstředování	
Odčerpání vody	
Ukončení praní	END 

### Funkční tlačítka a příslušné kontrolky

Po zvolení konkrétní funkce dojde k rozsvícení příslušné kontrolky.

V případě, že zvolená funkce není kompatibilní s nastaveným pracím programem, příslušná kontrolka začne blikat a funkce nebude aktivována.

V případě, že bude zvolena funkce, která není kompatibilní s některou z předem zvolených funkcí, zůstane aktivována pouze poslední zvolená funkce.

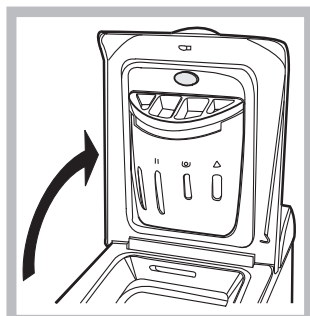
### Kontrolka zablokovaných dvířek

Rozsvícení této kontrolky poukazuje na to, že dvířka jsou zablokována kvůli zamezení náhodnému otevření; aby se zabránilo poškození dvířek, před jejich otevřením je třeba vyčkat, dokud uvedená kontrolka nezhasne.

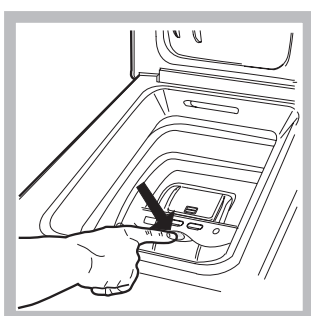
**POZN.:** když je aktivována funkce „Odloženého startu“, nebude možné otevřít dvířka a pro jejich otevření bude třeba přerušit činnost zařízení stisknutím tlačítka START/PAUSE.

**!** Rychlé blikání kontrolky START/PAUSE (oranžové) současně s blikáním funkcí poukazuje na přítomnost poruchy (viz „Poruchy a způsob jejich odstranění“).

### Jak se otvírá a zavírá prací buben



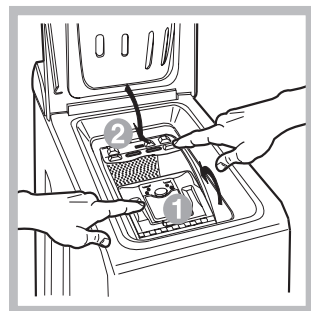
Obr. 1



Obr. 2



Obr. 3



Obr. 4

### A) OTEVÍRÁNÍ (Obr. 1):

Nadzvedni vrchní kryt a kompletně ho otevři.

### B) Otevření bubnu (Soft opening):

Prstem zmáčknout tlačítko označené na obr. 2 a buben se lehce otevře.

### C) VKLÁDÁNÍ PRÁDLA (Obr. 3)

### D) ZAVÍRÁNÍ (Obr. 4):

- dobře zavři prací buben a to tak že nejdříve spustíš přední a pak i zadní dvířka;
- zkontroluj, zdali došlo k dokonalému zasunutí úchytlů předních dvířek do jejich uložení v zadních dvířkách;
- po uslyšení zvuku provázejícího zachycení, zatlač zlehka směrem dolů nejdříve jedny a pak druhé dvířka, aby ses ujistil, zdali nedojde k jejich uvolnění;
- na závěr zavři vrchní kryt.

### Zahájení pracího programu

1. Zapněte pračku stisknutím tlačítka ON/OFF. Všechny kontrolky se rozsvítí na několik sekund a poté zůstanou svítit ty kontrolky, které se týkají nastavení zvoleného programu, a bude blikat kontrolka START/PAUSE.

2. Naplňte pračku a zavřete dvířka.

3. Otočným ovladačem PROGRAMŮ nastavte požadovaný prací program.

4. Nastavte teplotu praní (viz „Uživatelská nastavení“).

5. Nastavte rychlost odstředování (viz „Uživatelská nastavení“).

6. Nadávkujte prací prostředek a přídatné prostředky (viz „Prací prostředky a prádlo“).

7. Zvolte požadované funkce.

8. Zahajte prací program stisknutím tlačítka START/PAUSE a příslušná kontrolka zůstane rozsvícena stálým světlem zelené barvy.

Zrušení nastaveného pracího cyklu se provádí přerušением činnosti zařízení stisknutím tlačítka START/PAUSE a volbou nového cyklu.

9. Po ukončení pracího programu se rozsvítí kontrolka END. Dojde ke zhasnutí kontrolky ZABLOKOVANÁ DVÍŘKA s cílem informovat o možnosti otevření dvířek. Vytáhněte prádlo a nechte dvířka pootevřená, aby bylo umožněno vysušení bubnu.

Vypněte pračku stisknutím tlačítka ON/OFF.

# Prací programy

## Tabulka pracích programů

Programy	Popis programu	Max. teplota (°C)	Max. rychlost (otáčky za minutu)	Prací prostředky				Max. náplň (kg)	Zbytková vlhkost %	Spotřeba energie kWh	Celkové množství vody lt	Cycle duration
				Před-praní	Bělicí prostředek	Pra-ní	Avi-váz					
1	<b>Bavlna+Předpírkou:</b> Mimořádně znečištěné bílé prádlo.	90°	1000	●	-	●	●	6	62	1,92	67	160'
	<b>Standardní program pro bavlnu pro praní při 60°C (1):</b> silně znečištěné bílé a barevné prádlo z odolných tkanin.	60° (Max. 90°)	1000	-	-	●	●	6	62	1,04	50,0	165'
	<b>Standardní program pro bavlnu pro praní při 40°C (2):</b> silně znečištěné bílé a barevné choulostivé prádlo.	40°	1000	-	-	●	●	6	62	1,09	92	160'
4	<b>Standardní Bavlna 20°C:</b> málo znečištěné bílé a barevné choulostivé prádlo.	20°	1000	-	-	●	●	6	-	-	-	180'
5	<b>Syntetika:</b> velmi znečištěné barevné prádlo z odolných tkanin.	60°	800	-	-	●	●	3	44	0,85	39	110'
5	<b>Syntetika (3):</b> částečně znečištěné barevné prádlo z odolných tkanin.	40°	800	-	-	●	●	3	44	0,53	39	100'
6	<b>Mix 30':</b> K rychlému oživení mírně znečištěného prádla (nedoporučuje se pro vlnu, hedvábní a prádlo určené pro ruční praní).	30°	800	-	-	●	●	3	71	0,25	33	30'
7	<b>Mix 15':</b> K rychlému oživení mírně znečištěného prádla (nedoporučuje se pro vlnu, hedvábní a prádlo určené pro ruční praní).	30°	800	-	-	●	●	1,5	71	0,08	29	15'
8	<b>Sanitární:</b> Mimořádně znečištěné bílé prádlo.	90°	1000	-	●	●	●	6	-	-	-	180'
9	<b>Dobrou noc:</b> Částečně znečištěné barevné choulostivé prádlo.	40°	800	-	-	●	●	4	-	-	-	280'
10	<b>Dětský program:</b> Velmi znečištěné barevné prádlo z choulostivých tkanin.	40°	800	-	-	●	●	2	-	-	-	120'
11	<b>Košile</b>	40°	600	-	-	●	●	2	-	-	-	80'
12	<b>Hedvábní/záclony:</b> Pro prádlo z hedvábní, viskózy, spodní prádlo.	30°	0	-	-	●	●	1	-	-	-	55'
13	<b>Vlna:</b> Pro vlnu, kašmír atd.	40°	800	-	-	●	●	1	-	-	-	65'
	Máchání	-	1000	-	-	-	●	6	-	-	-	36'
	Odstředování	-	1000	-	-	-	-	6	-	-	-	16'
	Odčerpání vody	-	0	-	-	-	-	6	-	-	-	2'

Doba trvání cyklu uvedená na displeji nebo v návodu představuje odhad vypočítaný na základě standardních podmínek. Skutečná doba se může měnit v závislosti na četných faktorech, jako je např. teplota a tlak vody na vstupu, teplota prostředí, množství pracího prostředku, množství a druh náplně, vyvážení náplně a zvolené volitelné funkce.

### 1) Kontrolní program podle normy 1061/2010: nastavte program s teplotou 60°C.

Tento cyklus je vhodný pro praní běžně znečištěné bavlny a jedná se o neúčinnější cyklus z hlediska kombinované spotřeby energie a vody určený pro prádlo, které lze prát při teplotě do 60 °C. Skutečná teplota praní se může lišit od uvedené.

### 2) Kontrolní program podle normy 1061/2010: nastavte program s teplotou 40°C.

Tento cyklus je vhodný pro praní běžně znečištěné bavlny a jedná se o neúčinnější cyklus z hlediska kombinované spotřeby energie a vody určený pro prádlo, které lze prát při teplotě do 40°C. Skutečná teplota praní se může lišit od uvedené.

### Pro všechny Kontrolní ústavy:

#### 2) Dlouhý program na praní bavlny: nastavte program s teplotou 40°C.

#### 3) Syntetický program spolu: nastavte program 5 s teplotou 40°C.

**Standardní Bavlna 20°C** (program 4) ideální pro náplně ze znečištěné bavlny. Dobrá výkonnost i za studena, srovnatelná s praním při 40 °C, je zaručena mechanickým působením, které je založeno na změně rychlosti v krátkých nebo dlouhých intervalech.

**Mix 30'** (program 6) byl navržen pro praní mírně znečištěného prádla během krátké doby: trvá pouze 30 minut a šetří tak energii a čas. Nastavením programu (6 při 30°C) je možné prát společně prádlo z tkanin různého druhu (s výjimkou vlny a hedvábní) s maximální náplní 3 kg.

**Mix 15'** (program 7) byl navržen pro praní mírně znečištěného prádla během krátké doby: trvá pouze 15 minut a šetří tak energii a čas. Nastavením programu (7 při 30°C) je možné prát společně prádlo z tkanin různého druhu (s výjimkou vlny a hedvábní) s maximální náplní 1,5 kg.

**Sanitární** (program 8). Hygienizační program při vysokých teplotách, u kterého se používá bělicí prostředek při teplotě vyšší než 60°C. Při bělení nalijte bělicí prostředek, prací prostředky a přídatné prostředky do příslušných přihrádek (viz odstavec „Dávkovač pracích prostředků“).

**Dobrou noc** (program 9). Jedná se o tichý cyklus, který může pracovat v noci, kdy platí snížená sazba za dodávku elektrické energie. Program byl navržen pro praní prádla ze syntetických tkanin a z bavlny. Na konci pracího cyklu se zařízení zastaví s vodou v bubnu; za účelem provedení odstředování a odčerpání vody stiskněte tlačítko START/PAUSE. V opačném případě zařízení po uplynutí 8 hodin automaticky provede odstředění a odčerpání vody.

**Dětský program** (program 10). Prací program schopný odstranit znečištění typické pro malé děti, současně zaručuje odstranění pracího prostředku z prádla, aby se zabránilo alergiím na choulostivé pleti malých dětí. Tento prací cyklus byl navržen pro snížení množství bakterií s použitím vyššího množství vody a pro optimalizaci účinku specifických hygienizačních přísad, přidaných k pracímu prostředku. Na konci praní provede zařízení pomalé otáčení bubnu, aby se zabránilo tvorbě záhybů; cyklus je možné ukončit stisknutím tlačítka START/PAUSE.

# Uživatelská nastavení

## Nastavení teploty

Otáčením otočného ovladače TEPLoty se nastavuje teplota praní (viz *Tabulka programů*).

Teplota může být postupně snižována až po praní ve studené vodě (☹).

Zařízení automaticky zabrání nastavení vyšší teploty, než je maximální teplota pro každý prací program.

! Výjimka: při volbě programu  bude možné zvýšit teplotu až na 90°C.

## Nastavení odstředování

Otáčením otočného ovladače ODSTŘEĐOVÁNÍ se nastavuje rychlost odstředování zvoleného pracího programu.

Maximální rychlosti pro jednotlivé prací programy jsou:

Programy	Maximální rychlost
Bavlna	1000 otáček za minutu
Syntetika	800 otáček za minutu
Vlna	800 otáček za minutu
Hedvábí	pouze odčerpání vody

Rychlost odstředování může být snížena nebo může být odstředování vyloučeno volbou symbolu .

Zařízení automaticky zabrání odstředování vyšší rychlostí, než je maximální rychlost pro každý prací program.

## Funkce

Jednotlivé funkce, kterými pračka disponuje, umožňují dosáhnout požadovaného stupně čistoty a bělosti praného prádla.

Způsob aktivace jednotlivých funkcí:

1. stiskněte příslušné tlačítko požadované funkce;
2. rozsvícení příslušné kontrolky signalizuje, že došlo k aktivaci zvolené funkce.

**Poznámka:** Rychlé blikání kontrolky poukazuje na to, že příslušná funkce je nepoužitelná během nastaveného pracího programu.

## Odložený start

Slouží k odložení zahájení pracího cyklu až o 12 hodin.

Opakovaně stiskněte tlačítko až do rozsvícení kontrolky označující požadovanou dobu odložení. Po pátém stisknutí tlačítka dojde k vyloučení uvedené funkce.

**POZN.:** Po stisknutí tlačítka START/PAUSE je možné změnit hodnotu odložení pouze ve smyslu jejího snížení.

! Je aktivní u všech pracích programů.

## Snadné žehlení

Volbou této funkce budou praní a odstředování náležitě změněny za účelem snížení tvorby záhybů.

V programu **11** zařízení ukončí cyklus s prádlem namočeným ve vodě a blikající kontrolka funkce SNADNÉ ŽEHLENÍ a kontrolka START/PAUSE budou blikat (oranžově) a kontrolka fáze MÁCHÁNÍ zůstane rozsvícena stálým světlem. Za účelem odčerpání vody a vyložení prádla je třeba stisknout tlačítko START/PAUSE nebo tlačítko SNADNÉ ŽEHLENÍ.

! Tato funkce není použitelná u programů 6, 7, 8, 9, 10, 13, , , .

## Extra Máchání

Volbou této funkce se zvýší účinnost máchání a zajistí se maximální stupeň odstranění pracího prostředku. Je užitečná zejména pro mimořádně citlivé pokožky.

! Tato funkce není použitelná u programů 6, 7, , .

## Super wash

Díky použití většího množství vody v počáteční fázi cyklu a díky použití delší doby zaručuje tato volitelná funkce praní vysoké kvality.

! Tato funkce není použitelná u programů 4, 6, 7, 8, 12, 13, , , .



# Prací prostředky a prádlo

CZ

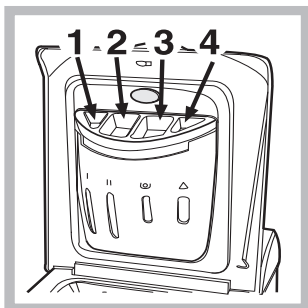
## Dávkovač pracích prostředků

Dobry výsledek praní závisí také na správném dávkování pracích prostředků: použití jejich nadměrného množství snižuje efektivitu praní a napomáhá tvorbě vodního kamene na vnitřních částech pračky a znečištění životního prostředí.

! Nepoužívejte prací prostředky určené pro ruční praní, protože způsobují tvorbu nadměrného množství pěny.

! Pro předpírku a praní při teplotě vyšší než 60 °C použijte práškové prací prostředky pro bílé bavlněné prádlo.

! Dodržujte pokyny uvedené na obalu pracího prostředku.



Při vytahování dávkovače pracích prostředků a při jeho plnění pracími nebo přídatnými prostředky postupujte následovně:

**příhrádka 1: Prací prostředek (práškový) pro předpírání**

**příhrádka 2: Prací prostředek (v prášku nebo tekutý)**

Tekutý prací prostředek je vhodné nalít přímo do bubnu do dávkovací kuličky.

**příhrádka 3: Přídatné prostředky (aviváž atd.)**

Při plnění oddílu 3 aviváží dávejte pozor, abyste nepřelili maximální přípustnou úroveň, označenou „max“. Aviváž je automaticky přiváděna do pračky v průběhu posledního máchání. Na konci pracího programu zůstane v oddílu 3 zbytek vody. Tato voda slouží pro přívod velmi hustých prostředků nebo ke zředění koncentrovaných prostředků. V případě, že v oddílu 3 zůstane více vody než obvykle, znamená to, že je ucpán vyprazdňovací mechanismus. Vyčištění mechanismu viz str. „Údržba a péče“.

**přídatná příhrádka 4: Bělící prostředek**

## Cyklus bělení

Bělení může být provedeno pouze u programů 8.

Nalijte bělicí prostředek do přídatné příhrádky 4, prací prostředek a aviváž do příslušných příhrádek a poté nastavte jeden z výše uvedených pracích programů.

Je vhodné pro velmi znečištěné bavlněné prádlo.

! Nepoužívejte prací prostředky určené na ruční praní, protože způsobují tvorbu nadměrného množství pěny.

## Příprava prádla

- Roztřídte prádlo podle:
  - druhu tkaniny / symbolu na visačce.
  - barvy: oddělte barevné prádlo od bílého.
- Vyprázdněte kapsy a zkontrolujte knoflíky.

- Nepřekračujte hodnoty povolené náplně, uvedené v „Tabulka pracích programů“, vztahující se na hmotnost suchého prádla.

- 1 prostěradlo 400-500 g
- 1 povlak na polštář 150-200 g
- 1 ubrus 400-500 g
- 1 župan 900-1.200 g
- 1 ručník 150-250 g

## Oděvy vyžadující zvláštní péči

**Košile:** použijte příslušný program 11 pro praní košil z odlišných druhů tkanin a odlišných barev.

Zaručuje maximální péči při minimalizaci tvorby záhybů.

**Hedvábí:** použijte příslušný program 12 pro praní všeho prádla z hedvábí. Doporučujeme použití pracího prostředku pro choulostivé prádlo.

**Záclony:** přehnout je a uložit dovnitř povlaku na polštář nebo do sáčku ze síťoviny. Použijte program 12.

**Vlna:** Prací cyklus „Vlna“ této pračky Hotpoint-Ariston byl testován a schválen společností Woolmark Company pro praní prádla z vlny, které je klasifikováno jako „prádlo určené pro ruční praní“, za podmínky, že bude praní provedeno v souladu s pokyny uvedenými na visačce oblečení a s pokyny dodanými výrobcem elektrického spotřebiče. Hotpoint-Ariston je první značkou praček, která získala od společnosti Woolmark Company certifikát Woolmark Apparel Care - Platinum za svou výkonnost při praní a spotřebu vody a energie.



## Systém automatického vyvážení náplně

Před každým odstředováním bubne provede otáčení rychlostí lehce převyšující rychlost praní, aby se odstranily vibrace a aby se náplň rovnoměrně rozložila. V případě, že po několikanásobných pokusech o vyvážení prádlo ještě nebude správně vyváжено, zařízení provede odstředování nižší rychlostí, než je přednastavená rychlost. Za přítomnosti nadměrného nevyvážení pračka provede namísto odstředování vyvážení. Za účelem dosažení rovnoměrnějšího rozložení náplně a jejího správného vyvážení se doporučuje míchat velké a malé kusy prádla.



# Poruchy a způsob jejich odstranění

Může se stát, že pračka nebude fungovat. Dříve, než zatelefonujete na Servisní službu (viz „*Servisní služba*“), zkontrolujte, zda se nejedná o problém, který lze snadno vyřešit s pomocí následujícího seznamu.

## Poruchy:

## Možné příčiny / Způsob jejich odstranění:

### Pračku nelze zapnout.

- Zástrčka není zasunuta v zásuvce nebo není zasunuta natolik, aby došlo ke spojení kontaktů.
- V celém domě je vypnutý proud.

### Nedochází k zahájení pracího cyklu.

- Nejsou řádně zavřená dvířka.
- Nebylo stisknuto tlačítko ON/OFF.
- Nebylo stisknuto tlačítko START/PAUSE.
- Nebyl otevřen kohout přívodu vody.
- Byl nastaven odložený start (viz „*Uživatelská nastavení*“).

### Pračka nenapouští vodu (rychle bliká kontrolka první fáze praní).

- Přívodní hadice není připojena k vodovodnímu kohoutu.
- Hadice je příliš ohnutá.
- Nebyl otevřen kohout přívodu vody.
- V celém domě je uzavřený přívod vody.
- V rozvodu vody není dostatečný tlak.
- Nebylo stisknuto tlačítko START/PAUSE.

### Dochází k nepřetržitému napouštění a odčerpávání vody.

- Vypouštěcí hadice se nachází mimo určené rozmezí od 65 do 100 cm nad zemí (viz „*Instalace*“).
  - Koncová část vypouštěcí hadice je ponořena ve vodě (viz „*Instalace*“).
  - Odpad ve stěně není vybaven odvodušňovacím otvorem.
- Když ani po uvedených kontrolách nedojde k odstranění problému, uzavřete přívod vody, vypněte pračku a přivolejte Servisní službu. V případě, že se byt nachází na jednom z nejvyšších poschodí, je možné, že dochází k sifonovému efektu, jehož následkem pračka nepřetržitě napouští a odčerpává vodu. Pro odstranění uvedeného efektu jsou v prodeji běžně dostupné speciální protisifonové ventily.

### Nedochází k vyčerpání vody nebo k odstředování.

- Odčerpání vody netvoří součást nastaveného programu: u některých programů je třeba jej aktivovat manuálně.
- Je aktivní funkce SNADNÉ ŽEHLENÍ: na dokončení programu stiskněte tlačítko START/PAUSE („*Uživatelská nastavení*“).
- Vypouštěcí hadice je ohnutá (viz „*Instalace*“).
- Odpadové potrubí je ucpáno.

### Během odstředování je možné pozorovat silné vibrace pračky.

- Během instalace nebyl buben odjištěn předepsaným způsobem (viz „*Instalace*“).
- Pračka není dokonale vyrovnaná do vodorovné polohy (viz „*Instalace*“).
- Pračka je stlačena mezi nábytkem a stěnou (viz „*Instalace*“).

### Dochází k úniku vody z pračky.

- Přítoková hadice není správně zašroubována (viz „*Instalace*“).
- Dávkovač pracích prostředků je ucpán (způsob jeho vyčištění je uveden v části „*Údržba a péče*“).
- Vypouštěcí hadice není upevněna předepsaným způsobem (viz „*Instalace*“).

### Kontrola START/PAUSE (oranžová) a kontrolky funkcí rychle blikají.

- Vypněte zařízení a vytáhněte zástrčku ze zásuvky, vyčkejte přibližně 1 minutu a opětovně jej zapněte.
- Když porucha přetrvává, obraťte se na Servisní službu.

### Dochází k tvorbě nadměrného množství pěny.

- Použitý prací prostředek není vhodný pro použití v automatické pračce (musí obsahovat označení „pro praní v pračce“, „pro ruční praní nebo pro praní v pračce“ nebo podobné označení).
- Bylo použito jeho nadměrné množství.

## Před přivoláním Servisní služby:

- Zkontrolujte, zda nejste schopni poruchu odstranit sami (viz „*Poruchy a způsob jejich odstranění*“);
- Opětovně uveďte do chodu prací program, abyste ověřili, zda byla porucha odstraněna;
- V opačném případě se obraťte na Centrum servisní služby na telefonním čísle uvedeném na záručním listu.

! Nikdy se neobracejte s žádostí o pomoc na techniky, kteří nejsou k výkonu této činnosti oprávněni.

## Při hlášení poruchy uveďte:

- druh poruchy;
- model zařízení (Mod.);
- výrobní číslo (S/N).

Tyto informace jsou uvedeny na štítku aplikovaném na zadní částí pračky a v její přední části, dostupné po otevření dvířek.