

Instructions for use

WASHING MACHINE

GB

GB

English,1

CIS

РУССКИЙ, 13

PL

Polski,25

I

Italiano,37

F

Français,49

ARTXF 149

Contents

Installation, 2-3

Unpacking and levelling
Connecting the electricity and water supplies
The first wash cycle
Technical data

Description of the washing machine and starting a wash cycle, 4-5

Control panel
Indicator lights
How to open and shut the drum
Starting a wash cycle

Wash cycles, 6

Table of wash cycles

Personalisation, 7

Setting the temperature
Setting the spin speed
Functions

Detergents and laundry, 8

Detergent dispenser drawer
Bleach cycle
Preparing the laundry
Garments requiring special care
Load balancing system

Precautions and tips, 9

General safety
Disposal
Saving energy and respecting the environment

Care and maintenance, 10

Cutting off the water or electricity supply
Cleaning the washing machine
Caring for your appliance door and drum
Cleaning the pump
Checking the water inlet hose
How to clean the detergent dispenser

Troubleshooting, 11

Service, 12

Installation

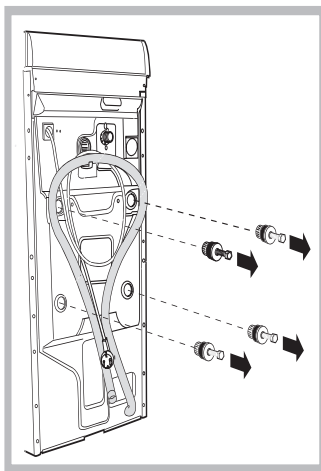
GB

! Keep this instruction manual in a safe place for future reference. Should the appliance be sold, transferred or moved, make sure the instruction manual accompanies the washing machine to inform the new owner as to its operation and features.

! Read these instructions carefully; they contain vital information on installation, use and safety.

Unpacking and levelling

Unpacking



1. Unpack the washing machine.
2. Check whether the washing machine has been damaged during transport. If this is the case, do not install it and contact your retailer.
3. Remove the four protective screws and the rubber washer with the respective spacer, situated on the rear of the appliance (see figure).
4. Seal the gaps using the plastic plugs provided.

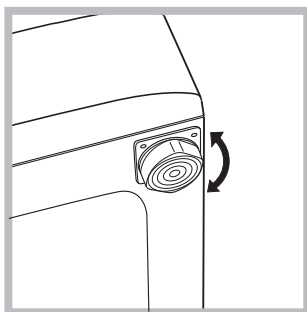
5. Keep all the parts: you will need them again if the washing machine needs to be moved to another location.

Warning: should the screws be re-used, make sure you fasten the shorter ones at the top.

! Packaging materials are not children's toys.

Levelling

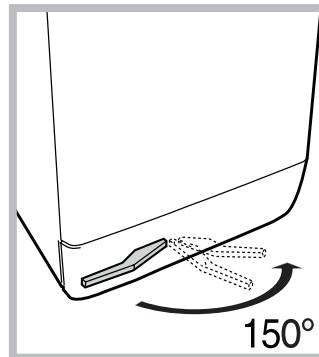
Your machine may make a considerable amount of noise if the two front feet have not been adjusted correctly.



1. Install the washing machine on a flat sturdy floor, without resting it up against walls, furniture cabinets or other.
2. If the floor is not perfectly level, compensate for any unevenness by tightening or loosening the adjustable front feet (see figure); the angle of inclination, measured according to the worktop, must not exceed 2°.

Levelling your appliance correctly will provide it with stability and avoid any vibrations, noise and shifting during operation. If it is placed on a fitted or loose carpet, adjust the feet in such a way as to allow enough room for ventilation beneath the washing machine.

Putting your appliance in place and moving it.

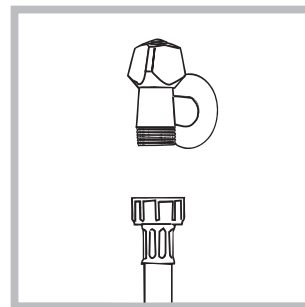


If your washing machine is equipped with a special set of retractable wheels you can easily move it. To lower the wheels and thus move the appliance effortlessly, just pull the lever, situated on the left-hand side beneath the base. Once the appliance is in the required position, put the lever back in place. The washing machine is

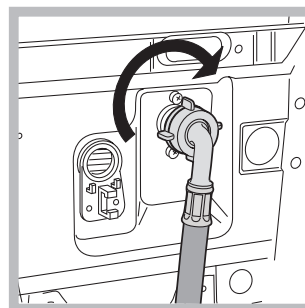
now firmly in place (see figure).

Electric and water connections

Connecting the water inlet hose



1. Connect the supply pipe by screwing it to a cold water tap using a 3/4 gas threaded connection (see figure). Before performing the connection, allow the water to run freely until it is perfectly clear.



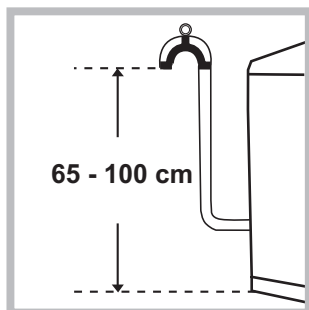
2. Connect the other end of the water inlet hose to the washing machine, screwing it onto the appliance's cold water inlet, situated on the top right-hand side on the rear of the appliance (see figure).

3. Make sure there are no kinks or bends in the hose.

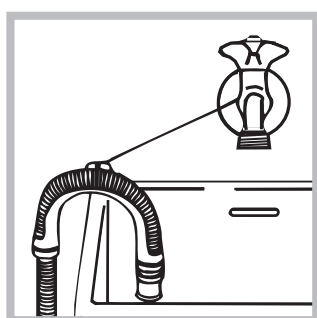
! The water pressure at the tap must be within the values indicated in the Technical details table (on the next page).

! If the water inlet hose is not long enough, contact a specialist store or an authorised serviceman.

Connecting the drain hose



Connect the drain hose, without bending it, to a drainage duct or a wall drain located at a height between 65 and 100 cm from the floor;



alternatively, rest it on the side of a washbasin or bathtub, fastening the duct supplied to the tap (see figure). The free end of the hose should not be underwater.

! We advise against the use of hose extensions; if it is absolutely necessary, the extension must have the same diameter as the original hose and must not exceed 150 cm in length.

Electrical connections

Before plugging the appliance into the electricity socket, make sure that:

- the socket is earthed and complies with all applicable laws;
- the socket is able to withstand the maximum power load of the appliance as indicated in the Technical data table (see opposite);
- the power supply voltage falls within the values indicated in the Technical data table (see opposite);
- the socket is compatible with the plug of the washing machine. If this is not the case, replace the socket or the plug.

! The washing machine must not be installed outdoors, even in covered areas. It is extremely dangerous to leave the appliance exposed to rain, storms and other weather conditions.

! When the washing machine has been installed, the electricity socket must be within easy reach.

! Do not use extension cords or multiple sockets.

! The cable should not be bent or compressed.

! The power supply cable must only be replaced by authorised technicians.

Warning! The company shall not be held responsible in the event that these regulations are not respected.

The first wash cycle

Once the appliance has been installed, and before you use it for the first time, run a wash cycle with detergent and no laundry, using the wash cycle 2.

Technical details

Model	ARTXF 149
Dimensions	40 cm wide 85 cm high 60 cm deep
Capacity	from 1 to 6 kg
Electric connections	Please refer to the technical data plate fixed to the machine.
Water connections	maximum pressure 1 MPa (10 bar) minimum pressure 0.05 MPa (0.5 bar) drum capacity 42 litres
Spin speed	up to 1400 rpm
Test wash cycles in accordance with directives 1061/2010 and 1015/2010	programme 7; temperature 60°C and 40°C.



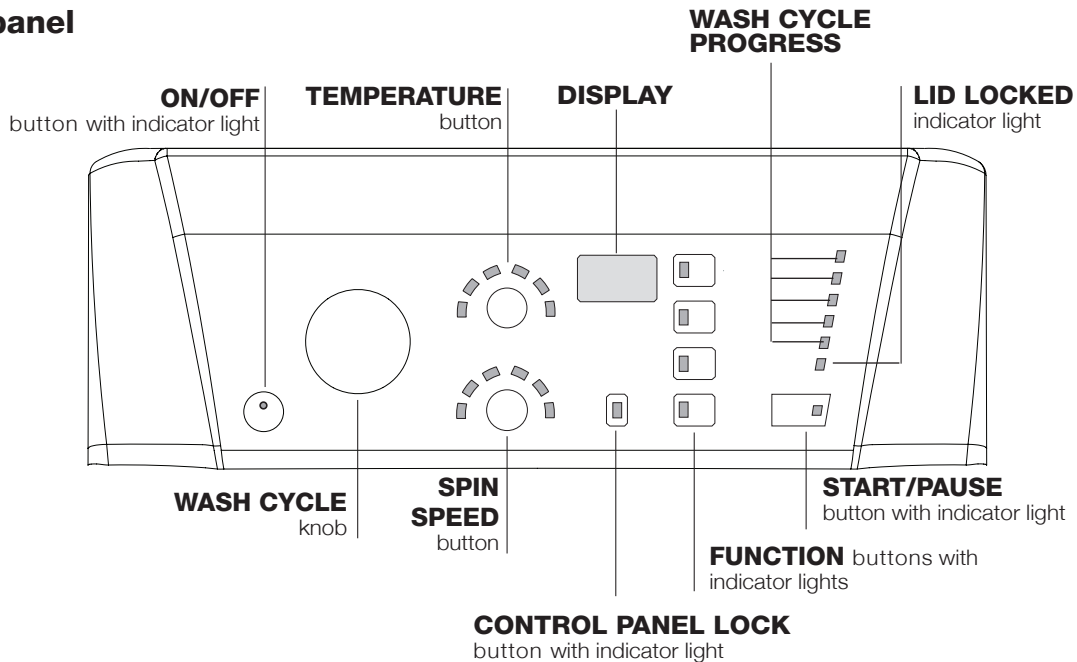
This appliance is compliant with the following European Community Directives:

- 2004/108/CE (Electromagnetic Compatibility)
- 2006/95/CE (Low Voltage)
- 2002/96/CE

Description of the washing machine and starting a wash cycle

GB

Control panel



ON/OFF button with indicator light: switches the machine on and off. If the indicator light is illuminated, this indicates that the machine is switched on.

WASH CYCLE knob: programmes the wash cycles. During the wash cycle, the knob does not move.

SPIN SPEED button: sets the spin speed or exclude the spin cycle completely (see “Personalisation”).

TEMPERATURE button: sets the temperature or the cold wash cycle (see “Personalisation”).

DISPLAY: indicates the time remaining for the selected wash cycle and, if a delayed start has been programmed, the time remaining until the start of the wash cycle.


CONTROL PANEL LOCK button with indicator light: activates or deactivates the control panel lock.

FUNCTION buttons with indicator light: used to select the available functions. The indicator light corresponding to the selected function will remain lit.

WASH CYCLE PROGRESS indicator lights: used to monitor the progress of the wash cycle. The illuminated indicator light shows which phase is in progress.

DOOR LOCKED indicator light: indicates whether the door may be opened or not (see next page).

START/PAUSE button with indicator light: starts or temporarily interrupts the wash cycles.

N.B. To pause the wash cycle in progress, press this button; the corresponding indicator light will flash orange, while the indicator light for the current wash cycle phase will remain lit in a fixed manner. If the DOOR LOCKED  indicator light is switched off, the door may be opened. To start the wash cycle from the point at which it was

Standby mode

This washing machine, in compliance with new energy saving regulations, is fitted with an automatic standby system which is enabled after about 30 minutes if no activity is detected. Press the ON-OFF button briefly and wait for the machine to start up again. interrupted, press this button again.

Consumption in off-mode: 1 W
Consumption in Left-on: 1 W

Indicator lights

The indicator lights provide important information. This is what they can tell you:

Wash cycle phase indicator lights

As the WASH CYCLE knob is rotated, the indicator lights illuminate, indicating the stages which will be performed by the machine in accordance with the selected wash cycle. Once the desired wash cycle has been selected and has begun, the indicator lights switch on one by one to indicate which phase of the cycle is currently in progress.

Wash	
Rinse	
Spin	
Drain	
End of wash cycle	END 

Function buttons and corresponding indicator lights

When a function is selected, the corresponding indicator light will illuminate. If the selected function is not compatible with the programmed wash cycle, the corresponding indicator light will flash, a sound signal will be emitted and the function will not be activated. If a function which is incompatible with another function selected previously, only the most recent selection will remain active.

Temperature indicator light

When a temperature value is selected, the corresponding indicator light will illuminate.



Spin indicator light

When a spin value is selected, the corresponding indicator light will illuminate.



Control panel lock indicator light

To **activate** the control panel lock, press and hold the button for approximately 2 seconds. When the indicator light is illuminated, the control panel is locked. This means it is possible to prevent wash cycles from being modified accidentally, especially where there are children in the home. To **deactivate** the control panel lock, press and hold the button for approximately 2 seconds.

Lid locked indicator light

If this indicator light is on, the appliance door is locked to prevent it from being opened accidentally; to avoid any damage, wait for the indicator light to switch off (it will take about three minutes) before you open the appliance door.

N.B. If the DELAY TIMER function is activated, the door cannot be opened; pause the machine by pressing the START/PAUSE button if you wish to open it.

! If the START/PAUSE indicator light (orange) flashes rapidly at the same time as the function indicator light, this indicates a problem has occurred (see "Troubleshooting").

How to open and to close the drum

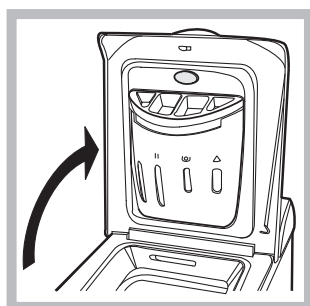


Fig. 1

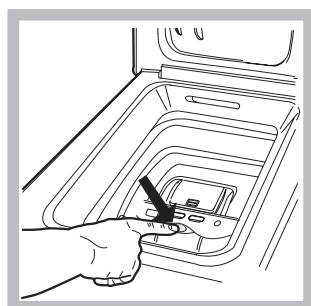


Fig. 2



Fig. 3

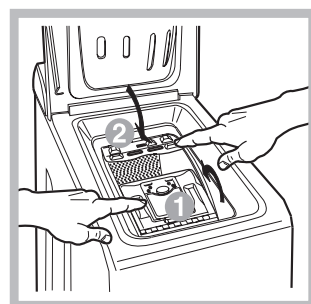


Fig. 4

A) Opening (Fig. 1):

Lift the external lid and open it completely.

B) Opening the drum (Soft opening):

With one finger, push the button indicated in *fig. 2* and the drum will open delicately.

C) Loading the washing machine (Fig. 3).

D) Shutting (Fig. 4):

- close the drum fully by first shutting the front door followed by the rear one;
- then ensure the hooks on the front door are perfectly housed within the seat of the rear door;
- after the hooks have clicked into position, press both doors lightly downwards to make sure they do not come loose;
- finally shut the external lid.

E) Drum End Stop (Fig. 2):





Once the wash cycle has been completed, the drum will position itself with doors facing upward for ease of opening.

Starting a wash cycle

1. Turn the washing machine on by pressing the ON/OFF button. All the indicator lights will turn on for a few seconds, then only the indicator lights relative to the selected programme settings will remain lit and the START/PAUSE indicator light will flash.
2. Load the laundry, close the door and the lid.
3. Set the WASH CYCLE knob to the desired programme.
4. Set the washing temperature (see "Personalisation").
5. Set the spin speed (see "Personalisation").
6. Measure out the detergent and washing additives (see "Detergents and laundry").
7. Select the desired functions.
8. Start the wash cycle by pressing the START/PAUSE button and the corresponding indicator light will remain lit in a fixed manner, in green.
To cancel the set wash cycle, pause the machine by pressing the START/PAUSE button and select a new cycle.
9. At the end of the wash cycle the **END** indicator light will switch on. The **LID LOCKED** indicator light will switch off, indicating that the door may be opened. Take out your laundry and leave the appliance door ajar to make sure the drum dries completely.
Switch the washing machine off by pressing the ON/OFF button.

Wash cycles

Table of wash cycles

Wash cycles	Description of the wash cycle	Max. temp. (°C)	Max. speed (rpm)	Detergents				Max. load (kg)	Residual dampness %	Energy consumption kWh	Total water lt	Cycle duration
				Pre-wash	Bleach	Wash	Fabric softener					
Everyday wash cycles (Daily)												
1	Cotton + Prewash 90°: Extremely soiled whites.	90°	1400	●	-	●	●	6	53	1,92	67	160
2	Cotton: Heavily soiled whites and resistant colours.	60°	1400	-	●	●	●	6	-	-	-	135
3	Coloured Cottons (3): Lightly soiled whites and delicate colours.	40°	1400	-	●	●	●	6	53	0,65	54	90
4	Synthetics resistants: Heavily soiled resistant colours.	60°	800	-	-	●	●	2,5	44	0,85	39	105
4	Synthetics delicates (4): Lightly soiled resistant colours.	40°	800	-	-	●	●	2,5	44	0,53	39	95
5	Mix 30': To refresh lightly soiled garments quickly (not suitable for wool, silk and clothes which require washing by hand).	30°	800	-	-	●	●	3	71	0,25	33	30
6	Mix 15': To refresh lightly soiled garments quickly (not suitable for wool, silk and clothes which require washing by hand).	30°	800	-	-	●	●	1,5	71	0,08	29	15
Special cycles												
7	Sanitizing cycle 90°: Extremely soiled whites.	90°	1400	-	●	●	●	6	-	-	-	180
7	Sanitizing cycle 90° (1-2): Heavily soiled whites and resistant colours.	60°	1400	-	-	●	●	6	53	1,042	51	165
7	Sanitizing cycle 90° (2): Heavily soiled whites and resistant colours.	40°	1400	-	-	●	●	6	53	0,88	61	160
8	Goodnight cycle: Lightly soiled delicate colours.	40°	800	-	-	●	●	4	-	-	-	280
9	Baby cycle: Heavily soiled delicate colours.	40°	800	-	-	●	●	2	-	-	-	120
10	Shirts	40°	600	-	-	●	●	2	-	-	-	80
11	Silk/Curtains: For garments in silk and viscose, lingerie.	30°	0	-	-	●	●	1	-	-	-	55
12	Wool: For wool, cashmere, etc.	40°	800	-	-	●	●	1	-	-	-	65
Partials wash cycles												
	Rinse	-	1400	-	●	-	●	6	-	-	-	36
	Spin	-	1400	-	-	-	-	6	-	-	-	16
	Light spin	-	800	-	-	-	-	2,5	-	-	-	12
	Drain no spin	-	0	-	-	-	-	6	-	-	-	2

The length of cycle shown on the display or in this booklet is an estimation only and is calculated assuming standard working conditions. The actual duration can vary according to factors such as water temperature and pressure, the amount of detergent used, the amount and type of load inserted, load balancing and any wash options selected.

For all Test Institutes:

1) Test wash cycle in compliance with regulation 1061/2010: set wash cycle 7 with a temperature of 60°C and 40°C.

This cycle is designed for cotton loads with a normal soil level and is the most efficient in terms of both electricity and water consumption; it should be used for garments which can be washed at 60°C and 40°C. The actual washing temperature may differ from the indicated value.

2) Long wash cycle for cottons: set wash cycle 7 with a temperature of 40°C.

3) Short wash cycle for cottons: set wash cycle 3 with a temperature of 40°C.

4) Long wash cycle for synthetics: set wash cycle 4; with a temperature of 40°C.

Specials wash cycles

Sanitizing cycle (wash cycle 7). A high-temperature hygienic wash cycle (over 60°C) which requires the use of bleach. Pour the bleach, the detergent and the additives into the relevant compartments (see paragraph entitled "Detergent dispenser drawer").

Goodnight cycle (wash cycle 8). This is a silent cycle which can be run at night, when the electricity prices are lower. The wash cycle is designed for cottons and synthetics. At the end of the cycle the machine stops while there is still water in the drum; to spin and drain the laundry press the START/PAUSE button; alternatively the machine will perform the spin cycle and drain the water automatically after 8 hours.

Baby cycle (wash cycle 9). This wash cycle can be used to remove the soiling typically caused by babies, while ensuring that all detergent is removed from nappies in order to prevent the delicate skin of babies from suffering allergies. The cycle has been designed to reduce the amount of bacteria by using a greater quantity of water and optimising the effect of special disinfecting additives added to the detergent. At the end of the wash cycle, the machine will slowly rotate the drum to prevent the formation of creases; to end the cycle press the START/PAUSE button.

Mix 30' (wash cycle 5) this wash cycle was designed to wash lightly soiled garments quickly: it lasts just 30 minutes and therefore saves both energy and time. By selecting this wash cycle (5 at 30°C), it is possible to wash different fabrics together (except for wool and silk items), with a maximum load of 3 kg.

Mix 15' (wash cycle 6) this wash cycle was designed to wash lightly soiled garments quickly: it lasts just 15 minutes and therefore saves both energy and time. By selecting this wash cycle (6 at 30°C), it is possible to wash different fabrics together (except for wool and silk items), with a maximum load of 1.5 kg.

Personalisation

Setting the temperature

By pressing the TEMPERATURE button to set the wash temperature (see *Table of wash cycles*).

The temperature may be lowered, or even set to a cold wash (❄️).

The washing machine will automatically prevent you from selecting a temperature which is higher than the maximum value set for each wash cycle.

Setting the spin speed

By pressing the SPIN SPEED button to set the spin speed for the selected wash cycle.

The maximum spin speeds available for each wash cycle are as follows:

Wash cycles	Maximum spin speed
Cottons	1400 rpm
Synthetics	800 rpm
Wool	800 rpm
Silk	drain only

The spin speed may be lowered, or the spin cycle can be excluded altogether by selecting the symbol ⌘.

The washing machine will automatically prevent you from selecting a spin speed which is higher than the maximum speed set for each wash cycle.

Functions

The various wash functions available with this washing machine will help to achieve the desired results, every time.

To activate the functions:

1. Press the button corresponding to the desired function;
2. the function is enabled when the corresponding indicator light is illuminated.

Note: If the indicator light flashes rapidly, this signals that this particular function may not be selected in conjunction with the selected wash cycle.

Delay timer

To set a delayed start for the selected wash cycle, press the button repeatedly until the desired delay time is displayed (this may be between 1 hour and 24 hours).

To disable the function press the button until the text *OFF* is displayed.

N.B. Once you have pressed the START/PAUSE button, the delay time may only be decreased if you wish to modify it.

! This option is enabled with all programmes.

Super Wash

Because a greater quantity of water is used in the initial phase of the cycle, and because of the increased cycle duration, this function offers a high-performance wash.

! This function may not be used in conjunction with wash cycles 5, 6, 7, 11, 12, , , , .

Extra rinse

By selecting this function, the efficiency of the rinse is increased and optimal detergent removal is guaranteed. It is particularly useful for sensitive skin.

! This function may not be used in conjunction with wash cycles 5, 6, , , .

Easy iron

By selecting this function, the wash and spin cycles will be modified in order to reduce the formation of creases. At the end of the cycle the washing machine will perform slow rotations of the drum.

For the 11 wash cycle, the machine will end the cycle while the laundry is soaking, the EASY IRON and START/PAUSE indicator lights will flash (orange) and the RINSE phase will remain lit in a fixed manner. To drain the water so that the laundry may be removed, press the START/PAUSE button or the EASY IRON button.

! This function may not be used in conjunction with wash cycles 5, 6, 7, 8, 9, 12, , , .

Detergents and laundry

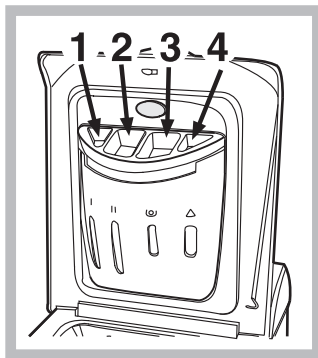
GB

Detergent dispenser drawer

Good washing results also depend on the correct dose of detergent: adding too much detergent won't necessarily make for a more efficient wash, and may in fact cause build up on the interior of your appliance and even pollute the environment.

! Use powder detergent for white cotton garments, for pre-washing, and for washing at temperatures over 60°C.

! Follow the instructions given on the detergent packaging.



Open up the detergent dispenser and pour in the detergent and fabric softener, as follows.

compartment 1: Detergent for pre-wash

compartment 2: Detergent for the wash cycle (powder or liquid)

It is recommended that you place liquid detergent directly into the compartment using the appropriate dosing cup.

compartment 3: Additives (softener, etc.)

When pouring the softener in compartment 3, avoid exceeding the "max" level indicated.

The softener is added automatically into the machine during the last wash. At the end of the wash programme, some water will be left in compartment 3. This is used for the inlet of denser fabric softeners into the machine, i.e. to dilute the more concentrated softeners. Should more than a normal amount of water remain in compartment 3, this means the emptying device is blocked. For cleaning instructions, see "Care and maintenance".

compartment 4: Bleach

Bleach cycle

Bleaching may only be performed in conjunction with wash cycles 2, 3, 7, .

Pour the bleach into compartment 4; pour the detergent and softener into the corresponding compartments, then select one of the abovementioned wash cycles.

This option is recommended only for very soiled cotton garments.

Preparing the laundry

- Divide the laundry according to:
 - the type of fabric/the symbol on the label
 - the colours: separate coloured garments from whites.
- Empty all garment pockets and check the buttons.
- Do not exceed the listed values, which refer to the weight of the laundry when dry:
 - Durable fabrics: max. 6 kg
 - Synthetic fabrics: max. 2,5 kg
 - Delicate fabrics: max. 2 kg
 - Wool: max. 1 kg

How much does your laundry weigh?

- 1 sheet 400-500 g
- 1 pillow case 150-200 g
- 1 tablecloth 400-500 g
- 1 bathrobe 900-1200 g
- 1 towel 150-250 g

Garments requiring special care

Shirts: use special wash cycle 10 to wash shirts in various fabrics and colours.

It guarantees maximum care is taken of the garments and minimises the formation of creases.

Silk: use special wash cycle 11 to wash all silk garments. We recommend the use of special detergent which has been designed to wash delicate clothes.

Curtains: fold curtains and place them in a pillow case or mesh bag. Use wash cycle 11.

Wool: The wool wash cycle on this Hotpoint-Ariston machine has been tested and approved by The Woolmark Company for washing wool garments labelled as hand washable provided that the garments are washed according to the instructions on the garment label and those issued by the manufacturer of this washing machine. Hotpoint-Ariston is the first washing machine brand to be approved by The Woolmark Company for Apparel Care- Platinum for its washing performance and consumption of energy and water.



Load balancing system

Before every spin cycle, to avoid excessive vibrations and to distribute the load in a uniform manner, the drum rotates continuously at a speed which is slightly greater than the washing rotation speed. If, after several attempts, the load is not balanced correctly, the machine spins at a reduced spin speed. If the load is excessively unbalanced, the washing machine performs the distribution process instead of spinning. To encourage improved load distribution and balance, we recommend small and large garments are mixed in the load.

Precautions and tips

! This washing machine was designed and constructed in accordance with international safety regulations. The following information is provided for safety reasons and must therefore be read carefully.

General safety

- This appliance was designed for domestic use only.
- This appliance is not intended for use by persons (including children) with reduced physical, sensory or mental capabilities, or lack of experience and knowledge, unless they have been given supervision or instruction concerning use of the appliance by a person responsible for their safety. Children should be supervised to ensure that they do not play with the appliance.
- Do not touch the machine when barefoot or with wet or damp hands or feet.
- Do not pull on the power supply cable when unplugging the appliance from the electricity socket. Hold the plug and pull.
- Do not touch the drained water as it may reach extremely high temperatures.
- Never force the porthole door. This could damage the safety lock mechanism designed to prevent accidental opening.
- If the appliance breaks down, do not under any circumstances access the internal mechanisms in an attempt to repair it yourself.
- Always keep children well away from the appliance while it is operating.
- If the appliance has to be moved, work in a group of two or three people and handle it with the utmost care. Never try to do this alone, because the appliance is very heavy.
- Before loading laundry into the washing machine, make sure the drum is empty.

Disposal

- Disposing of the packaging materials: observe local regulations so that the packaging may be re-used.
- The European Directive 2002/96/EC on Waste Electrical and Electronic Equipment, requires that old household electrical appliances must not be disposed of in the normal unsorted municipal waste stream. Old appliances must be collected separately in order to optimise the recovery and recycling of the materials they contain and reduce the impact on human health and the environment. The crossed out “wheeled bin” symbol on the product reminds you of your obligation, that when you dispose of the appliance it must be separately collected.
Consumers should contact their local authority or retailer for information concerning the correct disposal of their old appliance.

Saving energy and respecting the environment

Saving on detergent, water, energy and time

- To avoid wasting resources, the washing machine should be used with a full load. A full load instead of two half loads allows you to save up to 50% on energy.
- The pre-wash cycle is only necessary on extremely soiled garments. Avoiding it will save on detergent, time, water and between 5 and 15% energy.
- Treating stains with a stain remover or leaving them to soak before washing will cut down the need to wash them at high temperatures. A programme at 60°C instead of 90°C or one at 40°C instead of 60°C will save up to 50% on energy.
- Use the correct quantity of detergent depending on the water hardness, how soiled the garments are and the amount of laundry you have, to avoid wastage and to protect the environment: despite being biodegradable, detergents do contain ingredients that alter the natural balance of the environment. In addition, avoid using fabric softener as much as possible.
- If you use your washing machine from late in the afternoon until the early hours of the morning, you will help reduce the electricity board's peak load. The “Delay Timer” option helps to organise your wash cycles accordingly.
- If your laundry has to be dried in a tumble dryer, select a high spin speed. Having the least water possible in your laundry will save you time and energy in the drying process.

Care and maintenance

GB

Cutting off the water or electricity supply

- Turn off the water tap after every wash. This will limit the wear of your appliance's water system and also prevent leaks.
- Unplug your appliance when cleaning it and during all maintenance operations.

Cleaning your appliance

The exterior and rubber parts of your appliance can be cleaned with a soft cloth soaked in lukewarm soapy water. Do not use solvents or abrasives.

Caring for your appliance door and drum

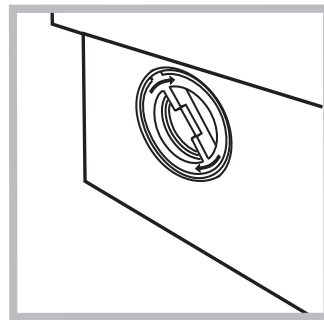
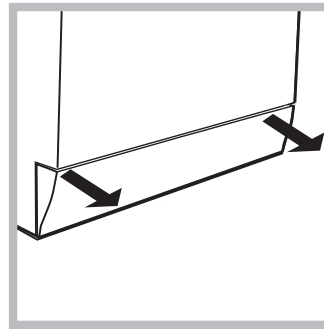
- Always leave the appliance door ajar to prevent unpleasant odours from forming.

Cleaning the pump

The washing machine is fitted with a self-cleaning pump that does not require any maintenance. Sometimes, small items (such as coins or buttons) may fall into the pre-chamber that protects the pump, situated in the lower part of the same.

! Make sure the wash cycle has ended and unplug the appliance.

To recover any objects that have fallen into the pre-chamber:



1. remove the plinth at the bottom on the front side of the washing machine by pulling from the side with your hands (see figure);
2. unscrew the lid rotating it anticlockwise (see figure): a little water may trickle out. This is perfectly normal;
3. clean the interior thoroughly;
4. screw the lid back on;
5. reposition the panel, making sure the hooks are securely in place before you push it onto the appliance.

Checking the water inlet hose

Check the water inlet hose at least once a year. If you see any cracks, replace it immediately: during the wash cycles, water pressure is very strong and a cracked hose could easily split open.

! Never use hoses that have already been used.

How to clean the detergent dispenser

Disassembly:

Press lightly on the large button on the front of the detergent dispenser and pull it upwards (fig. 1, 2).

Cleaning:

Then clean the dispenser under a tap (fig. 3) using an old toothbrush and, once the pair of siphons inserted in the top of compartments 1 and 2 (fig. 4) have been pulled out, check whether the same are not clogged and then rinse them.

Reassembly:

Do not forget to reinsert the pair of siphons into the special housings and then to replace the dispenser into its seat, clicking it into place (fig. 4, 2 and 1).

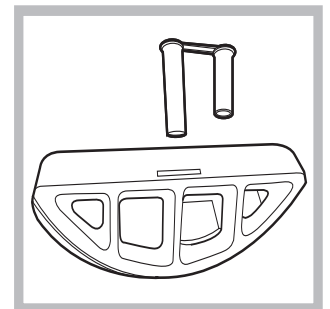
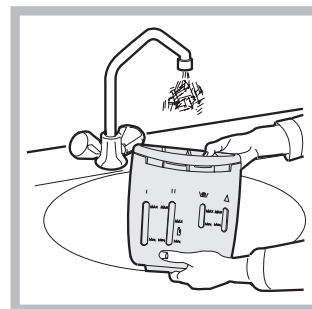
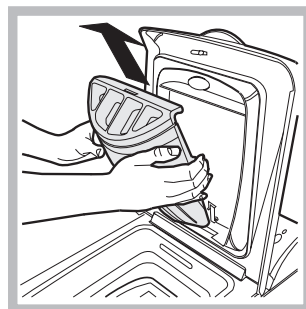


Fig. 1

Fig. 2

Fig. 3

Fig. 4

Troubleshooting

Your washing machine could fail to work. Before contacting the Technical Assistance Centre (see "Assistance"), make sure that the problem cannot be not solved easily using the following list.

Problem:

Possible causes / Solutions:

The washing machine does not switch on.

- The appliance is not plugged into the socket fully, or is not making contact.
- There is no power in the house.

The wash cycle does not start.

- The appliance Lid is not shut properly.
- The ON/OFF button has not been pressed.
- The START/PAUSE button has not been pressed.
- The water tap has not been opened.
- A delayed start has been set (see "Personalisation").

The washing machine does not take in water (the indicator light for the first wash cycle stage flashes rapidly).

- The water inlet hose is not connected to the tap.
- The hose is bent.
- The water tap has not been opened.
- There is no water supply in the house.
- The pressure is too low.
- The START/PAUSE button has not been pressed.

The washing machine continuously takes in and drains water.

- The drain hose is not fitted at a height between 65 and 100 cm from the floor (see "Installation").
- The free end of the hose is under water (see "Installation").
- The wall drainage system is not fitted with a breather pipe.

If the problem persists even after these checks, turn off the water tap, switch the appliance off and contact the Assistance Service. If the dwelling is on one of the upper floors of a building, there may be problems relating to water drainage, causing the washing machine to fill with water and drain continuously. Special anti-draining valves are available in shops and help to avoid this inconvenience.

The washing machine does not drain or spin.

- The wash cycle does not include draining: some wash cycles require the drain phase to be started manually.
- The EASY IRON function has been activated: To complete the wash cycle, press the START/PAUSE button ("Personalisation").
- The drain hose is bent (see "Installation").
- The drainage duct is clogged.

The washing machine vibrates a lot during the spin cycle.

- The drum was not unlocked correctly during installation (see "Installation").
- The washing machine is not level (see "Installation").
- The washing machine is trapped between cabinets and walls (see "Installation").

The washing machine leaks.

- The water inlet hose is not screwed on properly (see "Installation").
- The detergent dispenser drawer is blocked (for cleaning instructions, see "Care and maintenance").
- The drain hose is not fixed properly (see "Installation").

The START/PAUSE indicator light (orange) and the function indicator lights flash rapidly.

- Switch off the machine and unplug it, wait for approximately 1 minute and then switch it back on again.
If the problem persists, contact the Technical Assistance Service.

There is too much foam.

- The detergent is not suitable for machine washing (it should display the text "for washing machines" or "hand and machine wash", or the like).
- Too much detergent was used.

Service

GB

Before calling for Assistance:

- Check whether you can solve the problem alone (see “*Troubleshooting*”);
- Restart the programme to check whether the problem has been solved;
- If this is not the case, contact an authorised Technical Assistance Centre using the telephone number provided on the guarantee certificate.

! Always request the assistance of authorised technicians.

Have the following information to hand:

- the type of problem;
- the appliance model (Mod.);
- the serial number (S/N).

This information can be found on the data plate situated on the rear of the washing machine.

CIS

Русский

ARTXF 149

CIS

Содержание

Установка, 14-15

Распаковка и нивелировка
Подключение к водопроводу и электричеству
Первый цикл стирки

Описание стиральной машины и порядка запуска программы, 16-17

Панель управления
Индикаторы
Как открыть и закрыть барабан
Порядок запуска программы

Программы, 18

Таблица программ

Персонализированные настройки, 19

Регулировка температуры
Выбор скорости отжима
Дополнительные функции

Моющие средства и типы белья, 20

Распределитель моющих средств
Отбеливание
Подготовка белья
Изделия, требующие деликатной стирки
Система балансировки белья

Предосторожности и рекомендации, 21

Общие требования к безопасности
Утилизация
Экономия энергии и охрана окружающей среды

Техническое обслуживание и уход, 22

Отключение воды и электричества
Уход за стиральной машиной
ход за дверцей машины и барабаном
Чистка насоса
Проверка заливного шланга
Как чистить распределитель моющих средств

Поиск неисправностей и методы их устранения, 23

Сервисное обслуживание, 24

Технические характеристики



АЮ 77



KZ.O.02.0361

Установка

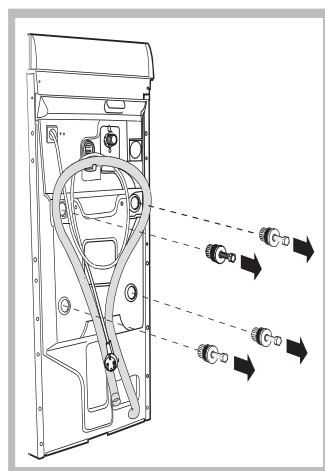
CIS

! Сохраните данное руководство. Оно должно быть в комплекте со стиральной машиной в случае продажи, передачи оборудования или при переезде на новую квартиру, чтобы новый владелец оборудования мог ознакомиться с правилами его функционирования и обслуживания.

! Внимательно прочитайте руководство: в нем содержатся важные сведения по установке и безопасной эксплуатации стиральной машины.

Распаковка и выравнивание

Распаковка



1. Р а с п а к у й т е стиральную машину.
2. Убедитесь, что оборудование не было повреждено во время транспортировки. При обнаружении повреждений – не подключайте машину – свяжитесь с поставщиком немедленно.
3. Удалите четыре транспортировочных винта и резиновые пробки с прокладками, расположенные в задней

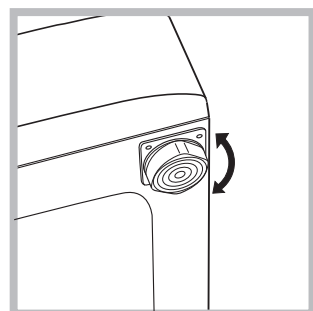
части стиральной машины (см. рис.).

4. Закройте отверстия прилагающимися пластиковыми заглушками.
 5. Сохраняйте все детали: они Вам понадобятся при последующей транспортировке стиральной машины.
- болты, резиновые шайбы и большую металлическую поперечную планку. Закройте образовавшиеся отверстия пластмассовыми заглушками.**

! Не разрешайте детям играть с упаковочными материалами.

Выравнивание

1. Установите стиральную машину на ровном и прочном полу, так чтобы она не касалась стен, мебели и прочих предметов.



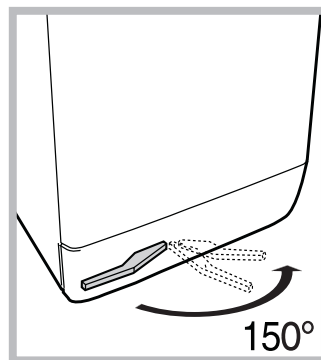
2. После установки машины на место отрегулируйте ее устойчивое положение путем вращения передних ножек (см. рис.). Для этого сначала ослабьте контргайку, после завершения регулировки контргайку затяните. После установки машины на место проверьте по

уровню горизонтальность верхней крышки корпуса, отклонение горизонтали должно быть не более 2°.

Правильное выравнивание оборудования поможет избежать шума, вибраций и смещений во время работы машины.

Если стиральная машина стоит на полу, покрытом ковром, убедитесь, что ее основание возвышается над ковром. В противном случае вентиляция будет затруднена или вовсе невозможна.

Установка машины на место и перемещение

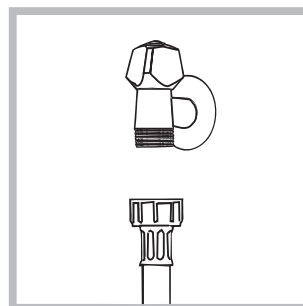


Ваша стиральная машина может быть оснащена специальными убирающимися колесами для облегчения ее перемещения. Чтобы опустить колеса и передвинуть оборудование, просто потяните за рычаг, расположенный слева под основанием машины. После установки

оборудования в требуемое положение верните рычаг в исходное положение.

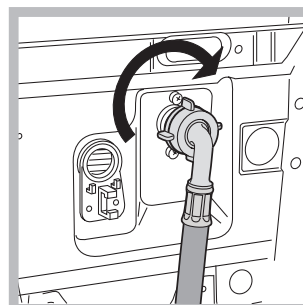
Подключение к водопроводной и электрической сети

Подсоединение заливного шланга



1. Прикрутите шланг подачи к крану холодной воды с резьбовым отверстием 3/4 gas (см. схему).

Перед подсоединением откройте водопроводный кран до тех пор, пока из него не потечет чистая вода.



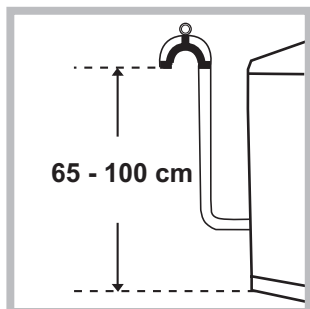
2. Подсоедините заливной шланг к стиральной машине, навинтив его на водоприемник, расположенный в задней верхней части справа (см. рис.).

3. Убедитесь, что шланг не перекручен и не пережат.

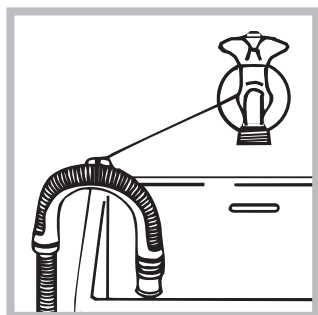
! Давление воды должно быть в пределах значений, указанных в таблице Технических характеристик (см. с. 15).

! Если длина водопроводного шланга окажется недостаточной, обратитесь в Авторизованный Сервисный центр.

Подсоединение сливного шланга



Повесьте загнутый конец сливного шланга на край раковины, ванны, или поместите в специальный вывод канализации. Шланг не должен перегибаться. Верхняя точка сливного шланга должна находиться на высоте 65-100 см от пола. Расположение сливного шланга должно обеспечивать разрыв струи при сливе (конец шланга не должен быть опущен в воду).



В случае крепления на край ванной или раковины, шланг вешается с помощью направляющей (входит в комплект поставки), которая крепится к крану (рис.).

! Не рекомендуется применение удлинителей для сливного шланга, при необходимости допускается его наращивание шлангом такого же диаметра и длиной не более 150 см.

Подсоединение к электросети

Внимание! Оборудование обязательно должно быть заземлено!

1. Машина подключается к электрической сети при помощи двухполюсной розетки с заземляющим контактом (розетка не поставляется с машиной). Фазный провод должен быть подключен через автомат защиты сети, рассчитанный на максимальный ток (ток срабатывания) 16 А, и имеющий время срабатывания не более 0,1 с.
2. При наличии вблизи от предполагаемого места установки машины розетки с заземляющим контактом, имеющей трехпроводную подводку кабеля с медными жилами сечением не менее 1,5 кв. мм (или алюминиевыми жилами сечением не менее 2,5 кв. мм), доработка электросети не производится. При отсутствии указанной розетки и проводки следует провести их монтаж.
3. Прокладка заземления отдельным проводом не допускается.
4. Для доработки электрической сети рекомендуется применять провод типа ППВ 3x1,5 380 ГОСТ 6223-79. Допускается применение других марок кабеля, обеспечивающих пожаро- и электробезопасность при эксплуатации машины.

Перед включением машины в сеть убедитесь, что:

- розетка и проводка соответствуют требованиям, изложенным в данном разделе инструкции;
- напряжение и частота тока сети соответствуют данным машины;
- розетка и вилка одного типа;

- розетка заземлена в соответствии с нормами безопасности, описанными в данном разделе инструкции (допускается организация заземления рабочим нулем, при условии, что защитная линия не имеет разрыва и подключена напрямую в обвод каких-либо приборов (например, электрического счетчика).

Если вилка не подходит к розетке, ее следует заменить на новую, соответствующую розетке, или заменить питающий кабель. Замена кабеля должна производиться только квалифицированным персоналом.

Запрещается использование переходников, двойных и более розеток и удлинителей (они создают опасность возгорания). Если Вы считаете их использование необходимым, применяйте один единственный удлинитель, удовлетворяющий требованиям безопасности.

Оборудование, подключенное с нарушением требований безопасности бытовых приборов большой мощности, изложенных в данной инструкции, является потенциально опасным.

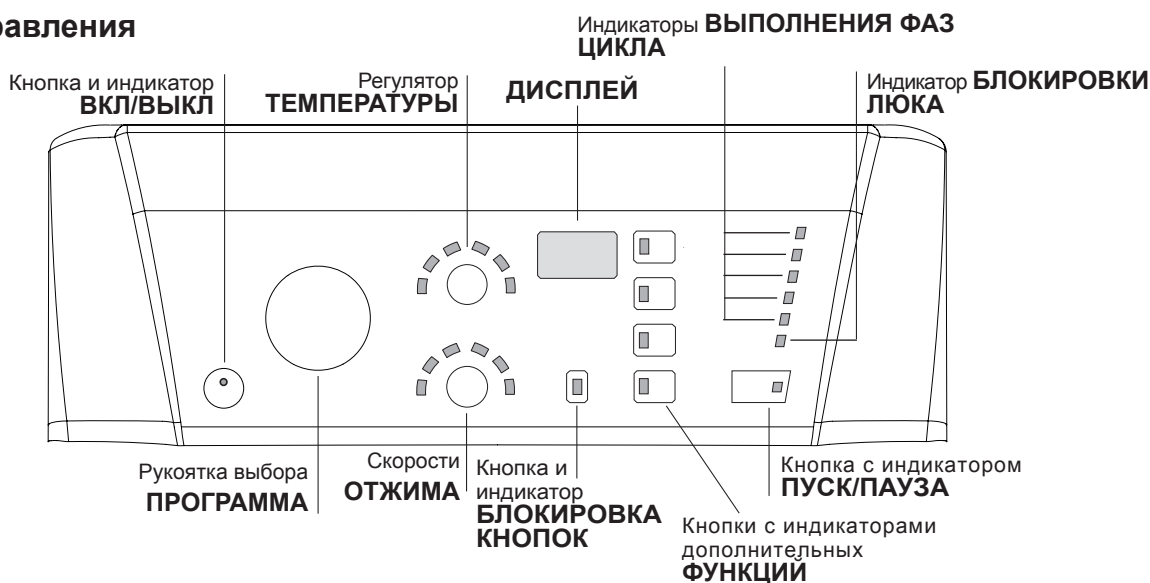
Производитель не несет ответственности за ущерб здоровью и собственности, если он вызван несоблюдением указанных норм установки.

Первый цикл стирки

По завершении установки, перед началом эксплуатации необходимо произвести один цикл стирки со стиральным порошком, но без белья, по программе 2.

Описание стиральной машины и порядка запуска программы

Панель управления



Кнопка и индикатор ВКЛ/ВЫКЛ: служит для включения и выключения машины. Горящий индикатор показывает, что машина включена.

Рукоятка выбора ПРОГРАММ: служит для выбора программ. В процессе выполнения программы рукоятка не вращается.

Скорости ОТЖИМА: служит для выбора скорости отжима или для его исключения (см. «Персонализированные настройки»).

Регулятор ТЕМПЕРАТУРЫ: служит для настройки температуры или для стирки в холодной воде (см. «Персонализированные настройки»).

ДИСПЛЕЙ: для отображения времени, остающегося до окончания заданного цикла стирки, и, если был запрограммирован запуск с задержкой - времени, остающегося до запуска цикла.

Кнопка и индикатор БЛОКИРОВКА КНОПОК: служит для включения/отключения блокировки панели управления.

Кнопки с индикаторами дополнительных ФУНКЦИЙ: служат для выбора имеющихся дополнительных функций. Индикатор, соответствующий выбранной функции, останется включенным.

Индикаторы ВЫПОЛНЕНИЯ ФАЗ ЦИКЛА: показывают последовательность выполнением программы стирки. Включенный индикатор соответствует текущей фазе.

Индикатор БЛОКИРОВКИ ЛЮКА: показывает, можно ли открыть люк (см. страницу сбоку).

Кнопка с индикатором ПУСК/ПАУЗА: служит для запуска или для временного прерывания программы.

ПРИМЕЧАНИЕ: для временного прерывания текущего цикла стирки нажмите эту кнопку. Соответствующий индикатор мигает оранжевым цветом, а индикатор текущей фазы стирки будет гореть, не мигая. Если индикатор БЛОКИРОВКИ ЛЮКА погас, можно открыть люк. Для возобновления цикла стирки с момента, когда он был прерван, вновь нажмите ПУСК/ПАУЗА.

Режим ожидания

Настоящая стиральная машина отвечает требованиям новых нормативов по экономии электроэнергии, укомплектована системой автоматического отключения (режим сохранения энергии), включающейся через 30 минут простоя машины. Нажмите один раз кнопку ВКЛ/ВЫКЛ и подождите, пока машина вновь включится.

Индикаторы

Индикаторы сообщают пользователю важные сведения. Значение индикаторов:

Индикаторы текущей фазы цикла:

Поверните рукоятку ПРОГРАММЫ, и загорятся индикаторы, показывая фазы, которые машина будет выполнять согласно заданной программе.

После выбора и запуска цикла стирки индикаторы будут загораться один за другим, показывая последовательность выполнения программы:

Стирка	
Полоскание	
Отжим	
Слив	
Конец цикла	END

Кнопки дополнительных функций и соответствующие индикаторы

При выборе функции загорается соответствующая кнопка. Если выбранная функция несовместима с заданной программой, будет мигать соответствующий индикатор, включится звуковой сигнал, и эта функция включена не будет. Если будет выбрана функция, несовместимая с другой, ранее выбранной функцией, останется включенной только последняя выбранная функция.

Индикатор температуры

При выборе температурного значения загорается соответствующий индикатор.



Индикатор отжима

При выборе скорости отжима загорается соответствующий индикатор.



Индикатор блокировки кнопок

Для **включения** блокировки панели управления держите кнопку нажатой примерно 2 секунды. Включенный индикатор означает, что панель управления заблокирована. Таким образом программа не может быть случайно изменена, особенно если в доме дети.

Для **отключения** блокировки панели управления держите кнопку нажатой примерно 2 секунды.

Индикатор блокировки люка:

Включенный индикатор означает, что люк заблокирован во избежание его случайного открывания. Во избежание его повреждения необходимо дождаться, когда индикатор погаснет, перед тем как открыть люк. Обычно индикатор гаснет через 3 минуты после окончания стирки.

ПРИМЕЧАНИЕ: если включена функция «Таймер отсрочки», люк открыть нельзя. Для этого необходимо переключить машину в режим паузы при помощи кнопки ПУСК/ПАУЗА.

! Быстрое мигание индикатора ПУСК/ПАУЗА (оранжевый) одновременно с индикатором функций означает неисправность (см. «Неисправности и методы их устранения»).

Как открыть и закрыть барабан

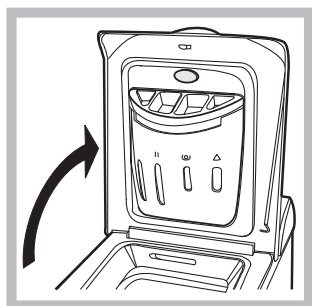


рис. 1

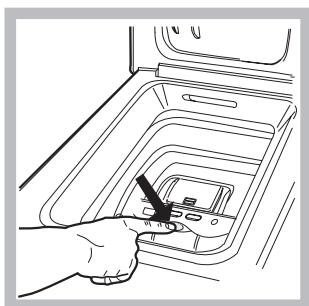


рис. 2



рис. 3

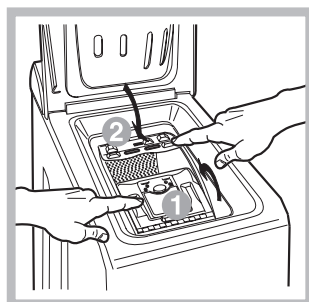


рис. 4

А) ОТКРЫВАНИЕ (рис. 1):

Поднимите внешнюю крышку и полностью ее откройте.

В) Открывание барабана (Soft opening – Плавное открывание):

Нажмите кнопку, показанную на рис. 2, крышка барабана плавно откроется.

С) ЗАГРУЗКА СТИРАЛЬНОЙ МАШИНЫ (рис. 3).

Д) ЗАКРЫВАНИЕ (рис. 4):

- закройте полностью барабан, опуская сначала переднюю дверцу, а затем заднюю;
- затем удостоверьтесь, что крюки передней дверцы точно вошли в предназначенные места на задней дверце;
- после того, как крюки защелкнулись, нажмите обе дверцы слегка вниз, чтобы убедиться они закрыты плотно;
- и, наконец, закройте внешнюю крышку.

Е) ОКОНЧАТЕЛЬНЫЙ ОСТАНОВ БАРАБАНА (рис. 2):

По завершении стирки крышки барабана окажутся сверху для облегчения их открывания.

Порядок запуска программы

1. Включите машину при помощи кнопки ВКЛ./ВЫКЛ. Все индикаторы загорятся на несколько секунд, затем останутся включенными индикаторы настроек выбранной программы, и будет мигать индикатор ПУСК/ПАУЗА.
2. Загрузите белье, закройте дверцы и крышку.
3. Задайте рукояткой ПРОГРАММА нужную программу.
4. Задайте температуру стирки (см. «Персонализированные настройки»).
5. Задайте скорость отжима (см. «Персонализированные настройки»).
6. Поместите моющие средства и добавки (см. «Стиральные вещества и типы белья»).
7. Включите нужные дополнительные функции.
8. Запустите программу при помощи кнопки ПУСК/ПАУЗА, соответствующий индикатор загорится зеленым цветом. Для отмены заданного цикла переключите машину в режим паузы при помощи кнопки ПУСК/ПАУЗА и выберите новый цикл.
9. По завершении программы загорится индикатор END. Индикатор БЛОКИРОВКИ ЛЮКА погаснет, показывая, что теперь можно открыть люк. Выньте белье и оставьте люк полуоткрытым для сушки барабана. Выключите стиральную машину, нажав кнопку ВКЛ./ВЫКЛ.

Программы

Таблица программ

Программы	Описание программы	Макс темп. (°C)	Макс. скорость (об./мин.)	Стиральные средства				Макс. загрузка (кг)	Продолжить цикла
				Предварительная стирка	Отбеливатель	Стирка	Ополаскиватель		
Ежедневные программы									
1	ПРЕДВАРИТЕЛЬНАЯ + ХЛОПОК 90°: очень сильно загрязненное белое белье.	90°	1400	●	-	●	●	6	160
2	ХЛОПОК: сильнозагрязненное белое и прочное цветное белье.	60°	1400	-	●	●	●	6	135
3	ХЛОПОК (3): сильнозагрязненное белое и цветное деликатное белье.	40°	1400	-	●	●	●	6	90
4	СИНТЕТИКА: сильнозагрязненное белье прочное цветное белье.	60°	800	-	-	●	●	2,5	105
4	СИНТЕТИКА: слабозагрязненное прочное цветное белье.	40°	800	-	-	●	●	2,5	95
5	МИКС 30': для быстрого освежения малозагрязненного белья (не для шерсти, шелка и изделия ручной стирки).	30°	800	-	-	●	●	3	30
6	МИКС 15': для быстрого освежения малозагрязненного белья (не для шерсти, шелка и изделия ручной стирки).	30°	800	-	-	●	●	1,5	15
Специальные программы									
7	ЦИКЛ АНТИБАКТЕРИЯ: сильнозагрязненное белое белье.	90°	1400	-	●	●	●	6	180
7	ЦИКЛ АНТИБАКТЕРИЯ (1-2): сильнозагрязненное белое и прочное цветное белье.	60°	1400	-	-	●	●	6	165
7	ЦИКЛ АНТИБАКТЕРИЯ (2): сильнозагрязненное белое и прочное цветное белье.	40°	1400	-	-	●	●	6	160
8	НОЧНОЙ ЦИКЛ: слабозагрязненное деликатное цветное белье.	40°	800	-	-	●	●	4	280
9	ДЕТСКОЕ БЕЛЬЕ: сильнозагрязненное деликатное цветное белье.	40°	800	-	-	●	●	2	120
10	РУБАШКИ	40°	600	-	-	●	●	2	80
11	ШЕЛК/ЗАНАВЕСКИ: для изделий из шелка, вискозы и нижнего белья.	30°	0	-	-	●	●	1	55
12	ШЕРСТЬ: для шерсти, кашемира и т.д.	40°	800	-	-	●	●	1	65
Дополнительные программы									
	Полоскание	-	1400	-	●	-	●	6	36
	Отжим	-	1400	-	-	-	-	6	16
	Деликатный отжим	-	800	-	-	-	-	2,5	12
	Слив	-	0	-	-	-	-	6	2

Продолжительность цикла, показанная на дисплее или указанная в инструкциях является расчетом, сделанным на основании стандартных условий. Фактическая продолжительность может варьировать в зависимости от многочисленных факторов таких как температура и давление воды на подаче, температура помещения, количество моющего средства, количество и тип загрязненного белья, балансировка белья, выбранные дополнительные функции.

Для всех институтов тестирования:

- 1) Программы управления в соответствии с Директивой EN 60456: задайте программу 7 с температурой 60°C.
- 2) Длинная программа для х/б белья: задайте программу 7 с температурой 40°C.
- 3) Короткая программа для х/б белья: задайте программу 3 с температурой 40°C.

Специальные программы

ЦИКЛ АНТИБАКТЕРИЯ (программа 7). Дезинфицирующая программа с высокой температурой, предусматривающая использование отбеливателя при температуре выше 60°C. Для отбеливания залейте отбеливатель, моющее средство и добавки в соответствующие ячейки (см параграф «Распределитель моющих средств»).

НОЧНОЙ ЦИКЛ (программа 8). Это бесшумный цикл, который можно включить ночью, экономя электроэнергию. Данная программа рассчитана на стирку синтетических и х/б вещей. По завершении цикла машина останавливается с водой в барабане; для слива и отжима нажмите кнопку ПУСК/ПАУЗА, в противном случае по прошествии 8 часов машина автоматически произведет слив воды и отжим.

ДЕТСКОЕ БЕЛЬЕ (программа 9). Программа удаляет типичные загрязнения детской одежды, гарантируя удаление моющего средства из ткани во избежание аллергии чувствительной детской кожи. Данный цикл рассчитан на сокращение количества бактерий благодаря использованию большего объема воды и оптимизируя воздействие специальных дезинфицирующих добавок старильного вещества. По завершении стирки машина продолжит медленно вращать барабан во избежание сминания белья. Для остановки цикла нажмите кнопку ПУСК/ПАУЗА.

МИКС 30' (программа 5) предназначена для быстрой стирки слабозагрязненного белья цикл длится всего 30 минут, что позволяет сэкономить время и электроэнергию. По этой программе (5, 30°C) можно стирать вместе белье из разных тканей (за исключением шерсти и шелка) с максимальной загрузкой 3 кг.

МИКС 15' (программа 6) предназначена для быстрой стирки слабозагрязненного белья цикл длится всего 15 минут, что позволяет сэкономить время и электроэнергию. По этой программе (6, 30°C) можно стирать вместе белье из разных тканей (за исключением шерсти и шелка) с максимальной загрузкой 1,5 кг.

Персонализированные настройки

Регулировка температуры

Настройка температуры стирки производится при помощи регулятора ТЕМПЕРАТУРЫ (см. *Таблицу программ*). Значение температуры может быть уменьшено вплоть до стирки в холодной воде ($\frac{1}{2}$). Машина автоматически не допускает выбор температуры, превышающий максимальное значение, предусмотренное для каждой программы.

Выбор скорости отжима

Выбор скорости отжима выбранной программы производится при помощи регулятора скорости ОТЖИМ. Для разных программ предусматривается разная максимальная скорость отжима:

Программы	Максимальная скорость отжима
Хлопок	1400 оборотов в минуту
Синтетические ткани	800 оборотов в минуту
Шерсть	800 оборотов в минуту
Шелк	без отжима

Скорость отжима может быть уменьшена, или же отжим может быть совсем исключен, повернув регулятор в положение $\frac{1}{2}$.

Машина автоматически не допускает выбор скорости отжима, превышающий максимальную скорость, предусмотренную для каждой программы.

Дополнительные функции

Различные функции стирки машины позволяют достичь желаемой чистоты и белизны вашего белья.

Порядок выбора функций:

1. нажмите кнопку нужной вам функции;
2. включение соответствующего индикатора означает, что функция включена.

Примечание: Частое мигание индикатора означает, что данная функция не может быть выбрана для заданной программы.

Таймер отсрочки

Для программирования задержки запуска выбранной программы нажмите несколько раз кнопку пока не отразится нужное время задержки (от 1 до 24 часов).

Для отключения этой функции нажмите кнопку пока не появится сообщение OFF.

ПРИМЕЧАНИЕ: После нажатия кнопки ПУСК/ПАУЗА можно изменить время задержки только в сторону уменьшения.

! Эта функция совместима с любой программой.




Суперстирка

Обеспечивает оптимальную стирку благодаря использованию большего объема воды в начале цикла и большей продолжительности цикла.

! Эта функция несовместима с программами 5, 6, 7, 11, 12, , , , .

Дополнительное Полоскание

При выборе этой функции повышается эффективность ополаскивания, обеспечивая максимальное удаление моющего вещества. Эта функция особенно удобна для людей с кожей, чувствительной к стиральным веществам.

! Эта функция несовместима с программами 5, 6, , , .

Легкая глажка

При выборе этой функции циклы стирки и отжима изменяются таким образом, чтобы сократить складки на белье. По завершении цикла машина производит медленное вращение барабана.

При выборе программы 11 машина завершает цикл без слива воды, и Индикатор функции ЛЕГКАЯ ГЛАЖКА и индикатор ПУСК/ПАУЗА мигают (оранжевым цветом), индикатор фазы "Полоскание" горит, не мигая. Для слива воды и выгрузки белья необходимо нажать кнопку ПУСК/ПАУЗА или кнопку ЛЕГКАЯ ГЛАЖКА.

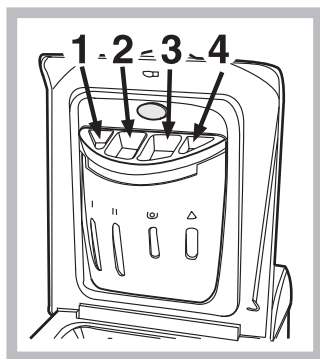
! Эта функция несовместима с программами 5, 6, 7, 8, 9, 12, , , .

Моющие средства и типы белья

CIS

Распределитель моющих средств

Хороший результат стирки зависит также от правильной дозировки моющего средства: его избыток не гарантирует более эффективную стирку, напротив может привести к образованию налетов внутри машины и загрязнению окружающей среды.



Выдвиньте распределитель и заполните его отделения моющим средством и смягчителем:

Отделение 1: моющее средство для предварительной стирки (порошок)

ячейка 2: Стиральное вещество

(порошок или жидкость)

Жидкое стиральное вещество следует помещать непосредственно в барабан в специальном круглом пластмассовом дозаторе.

ячейка 3: Добавки (ополаскиватель и т.д.)

Когда вы наливаете ополаскиватель в ячейку **3**, обращайте внимание, чтобы не превысить максимальный уровень, указанный отметкой «max». Ополаскиватель автоматически подается в барабан в процессе последнего ополаскивания. По завершении программы стирки в ячейке **3** остается вода. Она необходима для подачи в барабан очень густых ополаскивателей, т.е. для разбавления концентрированных ополаскивателей. Если в ячейке **3** останется воды больше нормального, это значит, что канал слива ополаскивателя в барабан засорился. Смотрите описание чистки ячеек на *стр. "Техническое обслуживание и уход"*.

ячейка 4: Цикл отбеливания

Отбеливание

Отбеливание производится только с программами **2, 3, 7, 11**.

Добавьте отбеливатель в чашу **4**, моющее средство и ополаскиватель в соответствующие отделения, затем выберите одну из вышеуказанных программ. Рекомендуется только для очень грязного х/б белья.

Подготовка белья

- Разделите белье по следующим признакам:
 - тип ткани / обозначения на этикетке.
 - цвет: отделите цветное белье от белого.
- Выньте из карманов все предметы и проверьте пуговицы.
- Не превышайте максимальную загрузку барабана, указанную для сухого белья:
 - Прочные ткани: макс. 6 кг
 - Синтетические ткани: макс. 2,5 кг
 - Деликатные ткани: макс. 2 кг
 - Шерсть: макс. 1 кг

Сколько весит белье?

- 1 простыня 400-500 гр.
- 1 наволочка 150-200 гр.
- 1 скатерть 400-500 гр.
- 1 халат 900-1200 гр.
- 1 полотенце 150-250 гр.

Изделия, требующие деликатной стирки

Рубашки: используйте специальную программу **10** для стирки рубашек из разных тканей и разных цветов. Это обеспечит максимальную сохранность вещей и сделает их менее мятыми.

Шелк: используйте специальную программу **11** для стирки всех шелковых вещей. Рекомендуется использовать специальное стиральное вещество для деликатных тканей.

Занавески: сверните и положите в наволочку или в сетчатый мешочек. Используйте программу **11**.

Шерсть: Цикл стирки «Шерсть» данной стиральной машины Hotpoint-Ariston прошел тестирование и был твержден Компанией Woolmark Company для стирки шерстяных изделий, классифицированных как «для ручной стирки» с тем, чтобы тирка выполнялась в соответствии с инструкциями на этикетке вещи и инструкциями, прилагаемым изготовителем бытового электроприбора. Hotpoint-Ariston – это первая марка стиральных машин, получившая от Woolmark Company сертификацию Woolmark Apparel Care - Platinum за качество стирки и за экономный расход воды и электроэнергии.



Система балансировки белья

Перед каждым отжимом во избежание чрезмерных вибраций и для равномерного распределения белья в барабане машина производит вращения со скоростью, слегка превышающей скорость стирки. Если после нескольких попыток белье не будет правильно сбалансировано, машина произведет отжим на меньшей скорости по сравнению с предусмотренной.

Предосторожности и рекомендации

! Стиральная машина спроектирована и изготовлена в соответствии с международными нормативами по безопасности. Необходимо внимательно прочитать настоящие предупреждения, составленные в целях вашей безопасности.

Общие требования к безопасности

- Данное изделие предназначено исключительно для домашнего использования.
- Не разрешайте пользоваться машиной лицам (включая детей) с ограниченными физическими, сенсорными, умственными способностями и не обладающих достаточными знаниями и опытом, если только они не пользуются машиной под наблюдением и после инструктажа со стороны лиц, ответственных за их безопасность. Не разрешайте детям играть с машиной.
- Не прикасайтесь к изделию влажными руками, босиком или во влажной одежде.
- Не тяните за сетевой кабель для отсоединения изделия из электро розетки, возьмитесь за вилку рукой.
- Избегайте контактов со сливаемой водой, так как она может быть очень горячей.
- Категорически запрещается открывать люк силой: это может привести к повреждению защитного механизма, предохраняющего от случайного открытия машины.
- В случае неисправности категорически запрещается открывать внутренние механизмы изделия с целью их самостоятельного ремонта.
- Избегайте контактов детей с работающей стиральной машиной.
- При необходимости переместить стиральную машину следует выполнять эту операцию вдвоем или втроем с предельной осторожностью. Никогда не перемещайте машину в одиночку, так как машина очень тяжелая.
- Перед загрузкой в стиральную машину белья проверьте, чтобы барабан был пуст.

Утилизация

- Уничтожение упаковочных материалов: соблюдайте местные нормативы с целью повторного использования упаковочных материалов.
- Согласно Европейской Директиве 2002/96/CE касательно утилизации электронных и электрических электроприборов электроприборы не должны выбрасываться вместе с обычным городским мусором. Выведенные из строя приборы должны собираться отдельно для оптимизации их утилизации и рекуперации составляющих их материалов, а также для безопасности окружающей среды и здоровья. Символ зачеркнутая мусорная корзинка, имеющийся на всех приборах, служит напоминанием об их отдельной утилизации.

За более подробной информацией о правильной утилизации бытовых электроприборов пользователи могут обратиться в специальную государственную организацию или в магазин.

Экономия энергии и охрана окружающей среды

Экономия моющих средств, воды, электроэнергии и времени

- Для экономии ресурсов следует максимально загружать стиральную машину. Один цикл стирки при полной загрузке вместо двух циклов с наполовину загруженным барабаном позволяет сэкономить до 50% электроэнергии.
- Цикл предварительной стирки необходим только для очень грязного белья. При цикле предварительной стирки расходуется больше стирального порошка, времени, воды и на 5 – 15% больше электроэнергии.
- Если вы обработаете пятна пятновыводителем или замочите белье перед стиркой, это поможет избежать стирки при высоких температурах. Использование программы стирки при 60°C вместо 90°C, или 40°C вместо 60°C позволяет сэкономить до 50% электроэнергии.
- Правильная дозировка стирального порошка в зависимости от жесткости воды, степени загрязнения и объема загружаемого белья помогает избежать нерационального расхода моющего средства и загрязнения окружающей среды: хотя стиральные порошки и являются биоразлагаемыми, они содержат вещества, отрицательно влияющие на экологию. Кроме того, по возможности избегайте использовать ополаскиватели.
- Использование стиральной машины утром или вечером уменьшит пиковую нагрузку на электросеть. С помощью функции «Таймер отсрочки» можно запрограммировать начало стирки с вышеуказанной целью.
- Если белье должно сушиться в автоматической сушке, необходимо выбрать большую скорость отжима. Интенсивный отжим экономит время и электроэнергию при автоматической сушке.

Техническое обслуживание и уход

CIS

Отключение воды и электричества

- Перекрывайте водопроводный кран после каждой стирки. Таким образом сокращается износ водопроводной системы стиральной машины и устраняется вероятность протечек.
- Всегда вынимайте вилку из розетки перед мойкой и обслуживанием машины.

Уход за стиральной машиной

Внешние и резиновые части машины очищайте мягкой тканью с теплой мыльной водой. Не используйте растворители или абразивные чистящие средства.

Уход за дверцей машины и барабаном

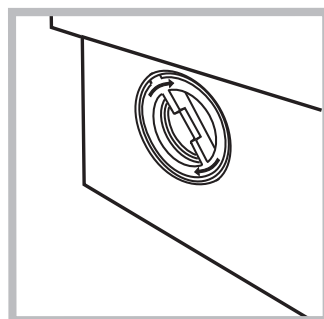
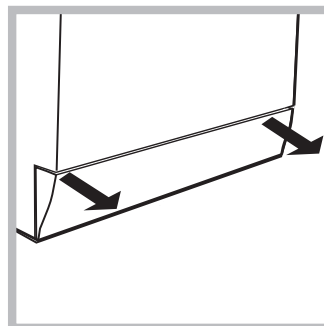
- После каждой стирки оставляйте дверцу машины полуоткрытой во избежание образования в барабане неприятных запахов и плесени.

Чистка насоса

Стиральная машина имеет сливной насос самоочищающегося типа, который не требует очистки или особого обслуживания. Однако мелкие предметы (монеты, пуговицы и др.) могут случайно попасть в насос. Для их извлечения насос оборудован «уловителем» — фильтром, доступ к которому закрыт нижней передней панелью.

! Убедитесь, что цикл стирки закончился, и отключите оборудование от сети.

Как достать предметы, упавшие в пространство между барабаном и кожухом машины:



1. снимите нижний плинтус в передней части стиральной машины, потянув обеими руками за его края (смотрите рисунок);
2. выверните крышку фильтра, вращая ее против часовой стрелки (см. рис.): из насоса может вылиться немного воды – это нормальное явление.
3. тщательно прочистите фильтр изнутри;
4. заверните крышку обратно;
5. установите на место переднюю панель, предварительно

убедившись, что крюки вошли в соответствующие петли.

Проверка заливного шланга

Проверяйте шланг не реже одного раза в год. При любых признаках течи или повреждения немедленно замените шланг. Во время работы машины неисправный шланг, находящийся под давлением воды, может внезапно лопнуть.

! Никогда не используйте шланги, бывшие в употреблении.

Как чистить распределитель моющих средств

Разборка:

Слепка нажмите на большую кнопку на передней стороне распределителя и вытяните его вверх (рис. 1, 2).



рис. 1

Чистка:

Затем промойте распределитель под струей воды (рис. 3), используя старую зубную щетку. Выньте пару сифонов, вставленных в вершину отделений 1 и 2 (рис. 4), проверьте не забиты ли они и промойте их.

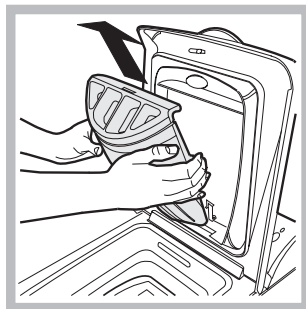


рис. 2

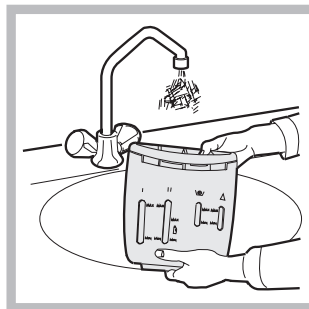


рис. 3

Сборка:

Установите пару сифонов в специальные отверстия и затем поместите распределитель на место, вставляя его до щелчка (рис. 4, 2, 1).

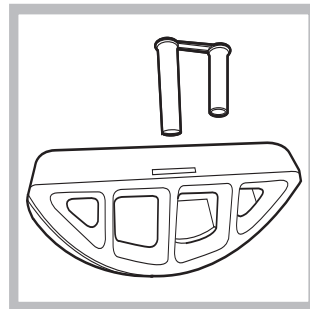


рис. 4

Поиск неисправностей и методы их устранения

Если ваша стиральная машина не работает. Прежде чем обратиться в Центр Сервисного обслуживания (см. *Сервисное обслуживание*), проверьте, можно ли устранить неисправность, следуя рекомендациям, приведенным в следующем перечне.

Неисправности:

Возможные причины / Методы устранения:

Стиральная машина не включается.

- Штепсельная вилка не соединена с электро розеткой или отходит и не обеспечивает контакта.
- В доме отключено электричество.

Цикл стирки не запускается.

- Люк плохо закрыт.
- Не была нажата кнопка ВКЛ/ВЫКЛ.
- Не была нажата кнопка ПУСК/ПАУЗА.
- Перекрыт водопроводный кран.
- Была запрограммирована задержка запуска цикла (Таймер отсрочки, (см. «Персонализированные настройки»)).

Стиральная машина не заливает воду (часто мигает индикатор первой фазы стирки).

- Водопроводный шланг не подсоединен к крану.
- Шланг согнут.
- Перекрыт водопроводный кран.
- В доме нет воды.
- Недостаточное водопроводное давление.
- Не была нажата кнопка ПУСК/ПАУЗА.

Машина непрерывно заливает и сливает воду.

- Сливной шланг не находится на высоте 65 – 100 см. от пола (см. «Установка»).
- Конец сливного шланга погружен в воду (см. «Установка»).
- Настенное сливное отверстие не оснащено вантузом для выпуска воздуха.

Если после вышеперечисленных проверок неисправность не будет устранена, следует перекрыть водопроводный кран, выключить стиральную машину и обратиться в Центр Сервисного Обслуживания. Если ваша квартира находится на последних этажах здания, могут наблюдаться явления сифона, поэтому стиральная машина производит непрерывный залив и слив воды. Для устранения этой аномалии в продаже имеются специальные клапаны против явления сифона.

Стиральная машина не сливает воду и не отжимает белье.

- Выбранная программа не предусматривает слив воды: для некоторых программ необходимо включить слив вручную.
- Включена функция ЛЕГКАЯ ГЛАЖКА: для завершения программы нажмите кнопку ПУСК/ПАУЗА (см. «Персонализированные настройки»).
- Сливной шланг согнут (см. «Установка»).
- Засорен сливной трубопровод.

Стиральная машина сильно вибрирует в процессе отжима.

- В момент установки стиральной машины барабан был разблокирован неправильно (см. «Установка»).
- Стиральная машина установлена неровно (см. «Установка»).
- Машина зажата между стены и мебелью (см. «Установка»).

Утечки воды из стиральной машины.

- Плохо прикручен водопроводный шланг (см. «Установка»).
- Засорен распределитель моющего средства (порядок его чистки см. в параграфе «Техническое обслуживание и уход»).
- Сливной шланг плохо закреплен (см. «Установка»).

Индикатор ПУСК/ПАУЗА (оранжевый) и индикаторы функций часто мигают.

- Выключите машину и выньте штепсельную вилку из сетевой розетки, подождите 1 минуту и вновь включите машину. Если неисправность не устраняется, обратитесь в Сервисную Службу.

В процессе стирки образуется слишком обильная пена.

- Моющее средство непригодно для стирки в стиральной машине (на упаковке должно быть указано «для стирки в стиральной машине», «для ручной и машинной стирки» или подобное).
- В распределитель было помещено чрезмерное количество моющего средства.

Сервисное обслуживание

CIS





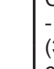
Перед тем как обратиться в Службу Сервиса:

- Проверьте, нельзя ли устранить неисправность самостоятельно (см. «Неисправности и методы их устранения»);
- Вновь запустите программу для проверки исправности машины;
- В протвном случае обратиться в Авторизованный Сервисный Центр по телефонам, указанным в гарантийном таллоне.

! Никогда не обращайтесь к неавторизованным сервисным центрам.

При обращении в Сервисную Службу необходимо сообщить:

- тип неисправности;
- номер гарантийного документа (сервисной книжки, сервисного сертификата и т.п.);
- модель машины (Мод.) и серийный номер (S/N), указанные в информационной табличке, расположенной на задней панели стиральной машины.

Технические данные	
Модель	ARTXF 149
Страна-изготовитель	Италия
Габаритные размеры	ширина 40 см высота 85 см глубина 60 см
Вместимость	от 1 до 6 кг
Номинальное значение напряжения электропитания или диапазон напряжения	220-240 V ~
Условное обозначение рода электрического тока или номинальная частота переменного тока	50 Hz
Класс защиты от поражения электрическим током	Класс защиты I
Водопроводное подсоединение	максимальное давление 1 МПа (10 бар) минимальное давление 0,05 МПа (0,5 бар) емкость барабана 42 литра
Скорость отжима	до 1400 оборотов в минуту
<p>Программы управления в соответствии с Директивой EN 60456</p> <p>программа 7; температура 60°C; при загрузке до 6 кг.</p> <p>Данное изделие соответствует следующим Директивам Европейского Сообщества:</p> <ul style="list-style-type: none"> - 2004/108/CE (Электромагнитная совместимость); - 2006/95/CE (Низкое напряжение); - 2002/96/CE <p>    </p> <p>В случае необходимости получения информации по сертификатам соответствия или получения копий сертификатов соответствия на данную технику, Вы можете отправить запрос по электронному адресу cert.rus@indesit.com.</p>	
<p>Дату производства данной техники можно получить из серийного номера, расположенного под штрих-кодом (S/N XXXXXXXXX), следующим образом</p> <ul style="list-style-type: none"> - 1-ая цифра в S/N соответствует последней цифре года, - 2-ая и 3-я цифры в S/N - порядковому номеру месяца года, - 4-ая и 5-ая цифры в S/N - день 	
<p>Степень защиты от попадания твердых частиц и влаги, обеспечиваемая защитной оболочкой, за исключением низковольтного оборудования, не имеющего защиты от влаги: IPX04</p>	
Класс энергопотребления	A

Производитель: Indesit Company
Виале А. Мерлони 47, 60044, Фабриано (АН), Италия

Импортер: ООО "Индезит РУС"

С вопросами (в России) до 01.01.2011: Россия, 129223, Москва, Проспект Мира, ВВЦ, пав. 46
обращаться по адресу: с 01.01.2011: Россия, 127018, Москва, ул. Двинцев, дом 12, корп. 1

PL

Polski

ARTXF 149

Spis treści

Instalacja, 26-27

Rozpakowanie i wypoziomowanie
Podłączenia hydrauliczne i elektryczne
Pierwszy cykl prania
Dane techniczne

Opis pralki i uruchamianie programu, 28-29

Panel sterowania
Kontrolki
Jak otwierać i zamykać kosz
Uruchamianie programu

Programy, 30

Tabela programów

Personalizacja, 31

Ustawianie temperatury
Ustawianie wirowania
Funkcje

Środki piorące i bielizna, 32

Szufladka na środki piorące
Cykl wybielania
Przygotowanie bielizny
Tkaniny wymagające szczególnego traktowania
System równoważenia ładunku

Zalecenia i środki ostrożności, 33

Ogólne zasady bezpieczeństwa
Utylizacja
Oszczędność i ochrona środowiska

Utrzymanie i konserwacja, 34

Wyłączenie wody i prądu elektrycznego
Czyszczenie pralki
Czyszczenie drzwiczek i bębna
Czyszczenie pompy
Kontrola rury doprowadzania wody
Jak czyścić szufladkę środków piorących

Nieprawidłowości w działaniu i sposoby ich usuwania, 35

Serwis Techniczny, 36

PL

Instalacja

PL

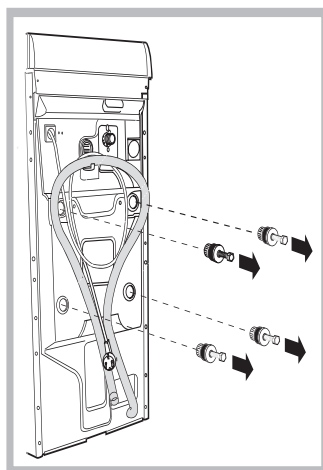
! Należy zachować niniejszą książeczkę instrukcji dla przyszłych konsultacji. W razie sprzedaży, oddania, czy przeniesienia pralki w inne miejsce należy upewnić się, by przekazana została ona razem z instrukcją, aby nowy właściciel zapoznać się mógł z działaniem urządzenia i odpowiednimi informacjami.

! Należy uważnie przeczytać instrukcję obsługi, gdyż zawiera ona ważne informacje dotyczące instalacji oraz właściwego i bezpiecznego użytkowania pralki.

Rozpakowanie i wypoziomowanie

Rozpakowanie

1. Rozpakować pralkę.



2. Sprawdzić, czy nie doznała ona uszkodzeń w czasie transportu. Jeśli byłaby ona uszkodzona, nie podłączać jej i powiadomić sprzedawcę.

3. Odkręcić cztery śruby ochronne, zamocowane na czas transportu, oraz zdjąć gumową podkładkę z odpowiednią rozpórką, znajdujące się w tylnej ścianie i (zobacz rysunek).

4. Zatkać otwory przy pomocy załączonych do pralki plastikowych zaślepek.

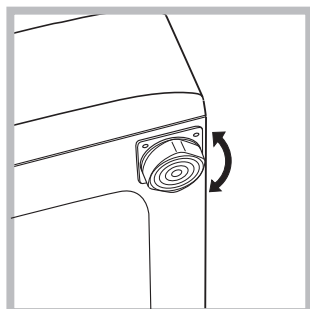
5. Zachować wszystkie te części: gdyby okazało się konieczne przewiezenie pralki w inne miejsce, powinny one zostać ponownie zamontowane.

Uwaga: w razie ponownego użycia krótsze śrubki powinny być przymocowane u góry.

! Części opakowania nie nadają się do zabawy dla dzieci

Wypoziomowanie

1. Ustawić pralkę na płaskiej i twardej podłodze; nie opierać jej o ściany, meble itp.



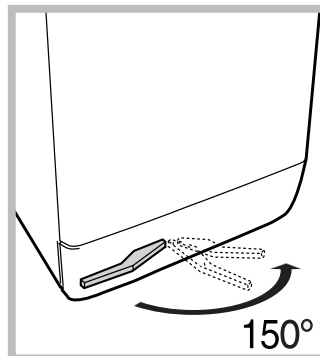
2. Jeśli podłoga nie jest dokładnie pozioma, należy wypoziomować pralkę, dokręcając lub odkręcając przednie nóżki (zobacz rysunek). Kąt nachylenia, zmierzony na górnym blacie pralki, nie powinien przekraczać 2°.

Staranne wypoziomowanie pralki zapewnia jej stabilność i zapobiega wi-

browaniu, hałasom i przesuwaniu się urządzenia w czasie

pracy. W razie ustawienia na dywanie lub wykładzinie dywanowej należy tak wyregulować nóżki, aby pod pralką pozostawała wolna przestrzeń niezbędna dla wentylacji.

Ustawienie, przeniesienie

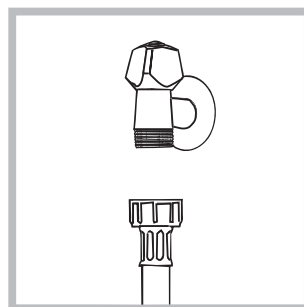


Jeśli twój model pralki wyposażony jest w specjalne wysuwalne kółka, łatwo jest ją przesuwac. Aby wysunąć kółka i móc dzięki temu łatwo przesunąć pralkę, należy pociągnąć dźwignię, znajdującą się na dole z lewej strony pod cokołem. Po przesunięciu pralki należy z powrotem ustawić dźwignię w pierwotnej pozycji. Urządzenie stoi

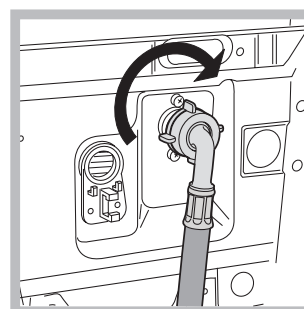
teraz pewnie na podłodze.

Podłączenie do sieci wodnej i elektrycznej

Podłączenie rury pobierania wody



1. Podłączyć przewód zasilający poprzez przykręcenie do zaworu wody zimnej z końcówką gwintowaną i gas (patrz rysunek). Przed podłączeniem spuszczać wodę do momentu, aż stanie się ona całkowicie przezroczysta.



2. Podłączyć rurę pobierania wody do pralki, przykręcając ją do odpowiedniego otworu pobierania wody, znajdującego się w tylnej ścianie pralki, z prawej strony u góry (zobacz rysunek).

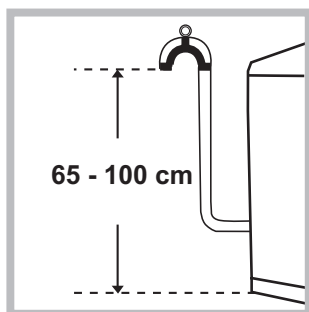
3. Zwrócić uwagę, by na rurze nie było zgięć ani ściśnieć.

! Ciśnienie hydrauliczne kurka powinno mieścić się w przedziale podanym w tabeli Danych technicznych (zobacz na sąsiedniej stronie).

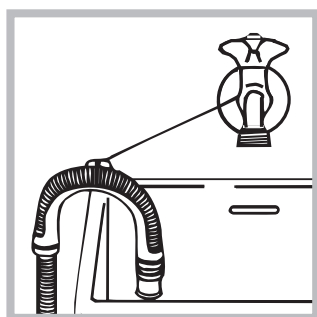
! Jeśli rura doprowadzania wody okazałaby się za krótka, należy zwrócić się do wyspecjalizowanego sklepu lub do upoważnionego fachowca.

! Nigdy nie instalować rur używanych.

Podłączenie przewodu odpływowego



Podłączyć przewód odpływowy, nie zginając go, do rury ściekowej lub do otworu odpływowego w ścianie, które powinny znajdować się na wysokości od 65 do 100 cm od podłogi;



ewentualnie oprzeć go na brzegu zlewu lub wanny, przymocowując do kranu prowadnik, znajdujący się w wyposażeniu (*patrz rysunek*). Wolny koniec przewodu odpływowego nie powinien być zanurzony w wodzie.

! Odradza się stosowanie przewodów przedłużających; jeśli to konieczne, przewód przedłużający powinien mieć taką samą średnicę jak oryginalny, a jego długość nie może przekraczać 150 cm.

Podłączenie elektryczne

Przed włożeniem wtyczki do gniazdka elektrycznego należy się upewnić, czy:

- gniazdko posiada uziemienie i jest zgodne z obowiązującymi przepisami;
- gniazdko jest w stanie wytrzymać maksymalne obciążenie mocy maszyny, wskazane w tabeli Danych technicznych (*patrz obok*);
- napięcie zasilania mieści się w wartościach wskazanych w tabeli Danych technicznych (*patrz obok*);
- gniazdko pasuje do wtyczki pralki. W przeciwnym razie należy wymienić gniazdko lub wtyczkę.

! Nie należy instalować pralki na otwartym powietrzu, nawet w osłoniętym miejscu, gdyż wystawienie urządzenia na działanie deszczu i burz jest bardzo niebezpieczne.

! Po zainstalowaniu pralki gniazdko elektryczne powinno być łatwo dostępne.

! Nie używać przedłużaczy ani rozgałęźników.

! Przewód nie powinien być pozginany ani przygnieciony.



! Przewód zasilania elektrycznego może być wymieniany wyłącznie przez autoryzowanych techników.

Uwaga! Producent nie ponosi żadnej odpowiedzialności w przypadku nieprzestrzegania powyższych zasad.

Pierwszy cykl prania

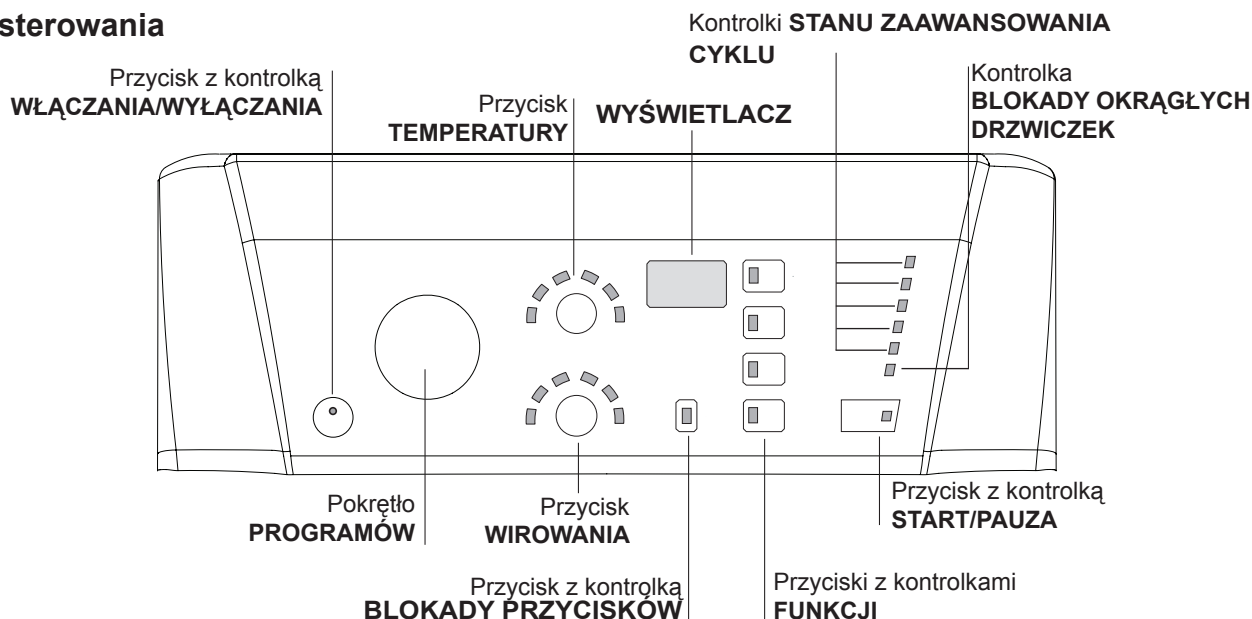
Po zainstalowaniu pralki, przed przystąpieniem do jej użytkowania, należy wykonać jeden cykl prania ze środkiem piorącym, ale bez wsadu, nastawiając program 2.

Dane techniczne

Model	ARTXF 149
Wymiary	szerokość cm 40 wysokość cm 85 głębokość cm 60
Pojemność	od 1 do 6 kg
Dane prądu elektrycznego	dane techniczne umieszczone są na tabliczce na maszynie
Dane sieci wodociągowej	Maksymalne ciśnienie 1 MPa (10 barów) ciśnienie minimalne 0,05 MPa (0,5 barów) pojemność bębna 42 litrów
Szybkość wirowania	do 1400 obrotów na minutę
Programy testowe zgodnie z dyrektywami 1061/2010 i 1015/2010	program 7; temperatura 60°C i 40°C.
 	Urządzenie to zostało wyprodukowane zgodnie z następującymi przepisami EWG: - 2004/108/CE (o Kompatybilności Elektromagnetycznej) - 2006/95/CE (o Niskim Napięciu) - 2002/96/CE

Opis pralki i uruchamianie programu

Panel sterowania



Przycisk z kontrolką **WŁĄCZANIA/WYŁĄCZANIA**: aby włączyć lub wyłączyć urządzenie. Zapalona kontrolka wskazuje, że urządzenie jest włączone.

Pokrętko **PROGRAMÓW**: do ustawiania programów. W czasie trwania programu pokrętko pozostaje nieruchome.

Przycisk **WIROWANIA**: do nastawienia lub wyłączenia wirowania (patrz „Personalizacja”).

Przycisk **TEMPERATURY**: do regulacji temperatury prania lub do nastawienia prania w zimnej wodzie (patrz „Personalizacja”).

WYŚWIETLACZ: aby wyświetlić czas pozostający do zakończenia wybranego cyklu prania oraz, jeśli zostało ustawione opóźnienie startu, czas pozostający do rozpoczęcia prania.

Przycisk z kontrolką **BLOKADY PRZYCISKÓW**: aby włączyć lub wyłączyć blokadę panelu sterowania.

Przyciski z kontrolkami **FUNKCJI**: do wyboru dostępnych funkcji. Kontrolka wybranej funkcji pozostaje zaświecona.

Kontrolki **STANU ZAAWANSOWANIA CYKLU**: umożliwiają kontrolę stanu zaawansowania programu prania.

Kontrolka **BLOKADY OKRĄGLYCH DRZWICZEK**: pozwala sprawdzić czy możliwe jest otwarcie okrągłych drzwiczek (patrz strona obok).

Przycisk z kontrolką **START/PAUZA**: do uruchamiania programów lub ich chwilowego przerywania.

N.B.: aby przerwać wykonywane pranie, należy nacisnąć ten przycisk, jego kontrolka zacznie pulsować na pomarańczowo, natomiast kontrolka bieżącej fazy będzie świecić ciągłym światłem. Jeśli kontrolka **BLOKADY OKRĄGLYCH DRZWICZEK** \Rightarrow \circ jest wyłączona, można otworzyć drzwiczki pralki.

W celu ponownego uruchomienia prania od momentu, w którym zostało ono przerwane, należy ponownie nacisnąć ten przycisk.

Funkcja stand by

Pralka ta, w myśl nowych norm europejskich związanych z oszczędnością elektryczną, posiada system auto wyłączenia (stand by), który włącza się po 30 minutach nie użytkowania. Ponownie lekko wcisnąć przycisk **WŁĄCZANIA/WYŁĄCZANIA** i poczekać, aż pralka ponownie włączy się.

Zużycie w trybie wyłączenia: 1W

Zużycie w trybie czuwania: 1W

Kontrolki

Kontrolki dostarczają ważnych informacji.

Oto co sygnalizują:

Kontrolki bieżącej fazy prania

Przy obracaniu pokrętkiem **PROGRAMÓW** kontrolki będą się zapalać, wskazując kolejne fazy pracy, które wykona urządzenie na podstawie ustawionego programu. Po wybraniu i uruchomieniu żadanego cyklu prania kontrolki będą się kolejno zapalać, wskazując stan zaawansowania programu:

Pranie zasadnicze



Płukanie



Wirowanie



Wydalenie wody



Koniec cyklu



Przyciski funkcyjne i ich kontrolki

Po dokonaniu wyboru funkcji jej kontrolka zaświeci się. W przypadku wyboru funkcji niezgodnej z ustawionym programem jej kontrolka zacznie pulsować, zostanie wyemitowany sygnał dźwiękowy, a funkcja nie włączy się. Jeśli ustawiona funkcja będzie sprzeczna z inną, wybraną wcześniej, uwzględniony zostanie tylko ostatni dokonany wybór.

Kontrolka temperatury

Przy wyborze wartości temperatury zaświeci się właściwa kontrolka.



Kontrolka wirowania

Przy wyborze prędkości wirowania zaświeci się właściwa kontrolka.



Kontrolka blokady przycisków

Aby „włączyć” blokadę panelu sterowania, należy przytrzymać przycisk wciśnięty przez około 2 sekundy. Zapalona kontrolka wskazuje, że panel sterowania jest zablokowany. W ten sposób uniemożliwia się dokonywanie przypadkowych zmian w programach, zwłaszcza jeśli w domu są dzieci. Aby „wyłączyć” blokadę panelu sterowania, należy przytrzymać przycisk wciśnięty przez około 2 sekundy.

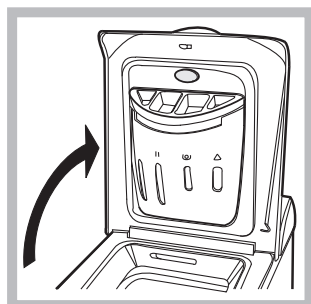
Kontrolka blokady okrągłych drzwiczek

Zapalona kontrolka wskazuje, że okrągłe drzwiczki pralki są zablokowane, aby zapobiec ich przypadkowemu otwarciu. Przed przystąpieniem do otwierania drzwiczek należy poczekać, aż kontrolka zgaśnie, w przeciwnym razie można spowodować ich uszkodzenie (około 3 minut).

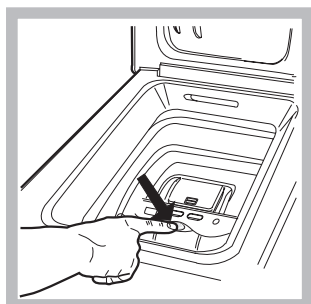
N.B.: jeśli funkcja „Timer opóźnienia” jest włączona, nie można otworzyć okrągłych drzwiczek, w celu ich otwarcia konieczne jest chwilowe zatrzymanie urządzenia poprzez naciśnięcie przycisku START/PAUZA.

! Szybkie pulsowanie (pomarańczowej) kontrolki START/PAUZA równocześnie z kontrolką funkcji sygnalizuje wystąpienie nieprawidłowości w działaniu pralki (patrz „Nieprawidłowości w działaniu i sposoby ich usuwania”).

Jak otwierać i zamykać kosz



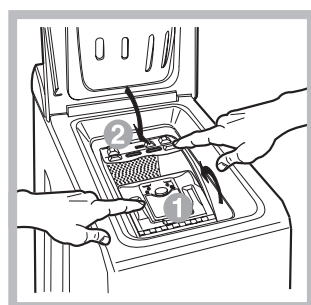
Rys. 1



Rys. 2



Rys. 3



Rys. 4

A) OTWIERANIE. (Rys. 1):

Podnieść zewnętrzną pokrywę i całkowicie ją otworzyć.

B) OTWIERANIE KOSZA (Soft opening):

Nacisnąć palcem przycisk wskazany na rys. 2 i koszyczek delikatnie się otworzy.

C) WKŁADANIE BIELIZNY (Rys. 3).

D) ZAMKNIĘCIE (Rys. 4):

- dobrze zamknąć drzwiczki, opuszczając najpierw drzwiczki przednie i opierając na nich drzwiczki tylne;
- upewnić się, czy zaczepy przednich drzwiczek dobrze weszły na swoje miejsce w tylnych drzwiczkach;
- po usłyszeniu charakterystycznego „clac”, co świadczy o zaskoczeniu zaczepów, lekko docisnąć oboje drzwiczek, które nie powinny się rozczepić.;
- na zakończenie zamknąć klapę zewnętrzną.

E) KOŃCOWE ZATRZYMANIE SIĘ KOSZA (Rys. 2):

Po zakończeniu mycia kosz ustawi się wraz z drzwiczkami na górnej pozycji w celu ułatwienia otwierania.

Uruchamianie programu

1. Włączyć pralkę, naciskając przycisk WŁĄCZANIE / WYŁĄCZANIE. Wszystkie kontrolki zapalą się na kilka sekund, następnie wyłączą się i zaczną pulsować kontrolka START/PAUZA.
2. Załadować białinę do pralki, zamknąć drzwiczki i pokrywę.
3. Ustawić żądany program przy pomocy pokrętki PROGRAMÓW.
4. Ustawić temperaturę prania (patrz „Personalizacja”).
5. Ustawić szybkość wirowania (patrz „Personalizacja”).
6. Wsypać środek piorący i dodatki (patrz „Środki piorące i bielizna”).
7. Wybrać żądane funkcje.
8. Uruchomić program naciskając przycisk START/PAUZA, kontrolka programu będzie świecić ciągłym światłem w kolorze zielonym. Aby anulować ustawiony cykl, należy chwilowo zatrzymać urządzenie, naciskając przycisk START/PAUZA, i wybrać nowy cykl.
9. Po zakończeniu programu zapali się kontrolka END. Kontrolka BLOKADY DRZWICZEK zgaśnie, wskazując, że otwarcie drzwiczek jest możliwe. Wyjąć białinę i pozostawić drzwiczki pralki uchylone, aby bęben mógł wyschnąć. Wyłączyć pralkę, naciskając przycisk WŁĄCZANIE / WYŁĄCZANIE.

Programy

Tabela programów

Programy	Opis programu	Temp. max. (°C)	Prędkość max (obrotów na minutę)	Środki piorące				Ładunek max (kg)	Wilgotność resztkowa %	Zużycie energii kWh	Woda łączna lt	Czas trwania cyklu
				Pranie wstępne	Wybielacz	Pranie	Środek zmiękczający					
Programy codzienne												
1	PRANIE WSTĘPNE: Bielizna biała silnie zabrudzona.	90°	1400	●	-	●	●	6	53	1,92	67	160
2	BAWELNA: Tkaniny białe i kolorowe, wytrzymałe, mocno zabrudzone.	60°	1400	-	●	●	●	6	-	-	-	135
3	BAWELNA KOLOROWE (3): Tkaniny białe lekko zabrudzone i delikatne kolorowe.	40°	1400	-	●	●	●	6	53	0,65	54	90
4	SYNTETYCZNE: Tkaniny kolorowe, wytrzymałe, mocno zabrudzone.	60°	800	-	-	●	●	2,5	44	0,85	39	105
4	SYNTETYCZNE (4): Tkaniny kolorowe, wytrzymałe, mocno zabrudzone.	40°	800	-	-	●	●	2,5	44	0,53	39	95
5	MIX 30': W celu szybkiego odświeżenia lekko zabrudzonych tkanin (nie wskazany dla wełny, jedwabiu i tkanin przeznaczonych do prania ręcznego).	30°	800	-	-	●	●	3	71	0,25	33	30
6	MIX 15': W celu szybkiego odświeżenia lekko zabrudzonych tkanin (nie wskazany dla wełny, jedwabiu i tkanin przeznaczonych do prania ręcznego).	30°	800	-	-	●	●	1,5	71	0,08	29	15
Programy specjalne												
7	CYKL HIGIENICZNY: Tkaniny białe bardzo mocno zabrudzone.	90°	1400	-	●	●	●	6	-	-	-	180
7	CYKL HIGIENICZNY (1-2): Tkaniny białe i kolorowe, wytrzymałe, mocno zabrudzone.	60°	1400	-	-	●	●	6	53	1,042	51	165
7	CYKL HIGIENICZNY (2): Tkaniny białe i kolorowe, wytrzymałe, mocno zabrudzone.	40°	1400	-	-	●	●	6	53	0,88	61	160
8	PROGRAM SPOKOJNY SEN: Tkaniny kolorowe, delikatne, lekko zabrudzone.	40°	800	-	-	●	●	4	-	-	-	280
9	BABY: Tkaniny kolorowe, delikatne, mocno zabrudzone.	40°	800	-	-	●	●	2	-	-	-	120
10	KOSZULE	40°	600	-	-	●	●	2	-	-	-	80
11	JEDWAB/FIRANY: Do jedwabiu, wiskozy, bielizny.	30°	0	-	-	●	●	1	-	-	-	55
12	WEŁNA: Do wełny, kaszmiru, itp.	40°	800	-	-	●	●	1	-	-	-	65
Programy częściowe												
	Płukanie	-	1400	-	●	-	●	6	-	-	-	36
	Wirowanie	-	1400	-	-	-	-	6	-	-	-	16
	Wirowanie delikatne	-	800	-	-	-	-	2,5	-	-	-	12
	Wydalanie wody	-	0	-	-	-	-	6	-	-	-	2

Czas trwania cyklu wskazany na wyświetlaczu lub w instrukcji jest czasem oszacowanym dla standardowych warunków. Rzeczywisty czas trwania cyklu może się zmieniać w zależności od wielu czynników, takich jak temperatura i ciśnienie wody na wlocie, temperatura otoczenia, ilość detergentu, ilość i rodzaj pranej odzieży, wyważenie ładunku, wybrane opcje dodatkowe.

Dla wszystkich Instytucji homologacyjnych:

1) Program kontrolny zgodny z dyrektywą 1061/2010: ustawić program 7, wybierając temperaturę 60°C a 40°C.

Ten cykl jest odpowiedni do prania średnio zabrudzonej odzieży bawełnianej i jest najbardziej wydajnym cyklem pod względem łącznego zużycia energii elektrycznej i wody; należy go używać do odzieży przeznaczonej do prania w 60°C a 40°C. Rzeczywista temperatura prania może się różnić od podanej.

2) Program bawełna, długi: ustawić program 7, wybierając temperaturę 40°C.

3) Program bawełna, krótki: ustawić program 3, wybierając temperaturę 40°C.

4) Program SYNTETYCZNE, długi: ustawić program 4, wybierając temperaturę 40°C.

Programy specjalne

CYKL HIGIENICZNY (program 7). Wysokotemperaturowy program higienizujący, który przewiduje użycie wybielacza w temperaturze powyżej 60°C. Aby wybielić pranie, należy umieścić w odpowiednich przegródkach wybielacz, środek piorący i dodatki (patrz paragraf „Szufładka na środki piorące”).

PROGRAM SPOKOJNY SEN (program 8). Jest to cichy cykl, który może być uruchamiany w nocy, w godzinach niższej taryfy energetycznej. Program ten został opracowany dla tkanin syntetycznych i bawełnianych. Po zakończeniu cyklu pralka zatrzymuje się z wodą w bębnie; aby wykonać wirowanie i odprowadzenie wody, należy nacisnąć przycisk START/PAUZA, w przeciwnym razie po 8 godzinach urządzenie automatycznie odwiruje pranie i odprowadzi wodę.

BABY (program 9). Program ten umożliwia usunięcie z odzieży zabrudzeń typowych dla dzieci, zapewniając przy tym całkowite wypłukanie środka piorącego z tkanin, aby uniknąć reakcji alergicznych, jakie mógłby on wywołać na delikatnej skórze dziecka. Cykl ten został opracowany w celu ograniczenia liczby bakterii poprzez wykorzystanie większej ilości wody i optymalizację działania specjalnych dodatków higienizujących, którymi uzupełniany jest środek piorący. Po zakończeniu prania urządzenie wykona serię wolnych obrotów bębna, aby zapobiec powstaniu zagnieceń; w celu zakończenia cyklu należy nacisnąć przycisk START/PAUZA.

MIX 30' (program 5) to program przeznaczony do prania lekko zabrudzonej bielizny w krótkim czasie: trwa on tylko 30 minut i pozwala dzięki temu na zaoszczędzenie energii i czasu. Ustawiając program (5 w temperaturze 30°C) można razem wyprać różnego rodzaju tkaniny (z wyjątkiem wełny i jedwabiu), przy maksymalnym ładunku 3 kg.

MIX 15' (program 6) to program przeznaczony do prania lekko zabrudzonej bielizny w krótkim czasie: trwa on tylko 15 minut i pozwala dzięki temu na zaoszczędzenie energii i czasu. Ustawiając program (6 w temperaturze 30°C) można razem wyprać różnego rodzaju tkaniny (z wyjątkiem wełny i jedwabiu), przy maksymalnym ładunku 1,5 kg.

Personalizacja

Ustawianie temperatury

Naciskając przycisk TEMPERATURA ustawia się temperaturę prania (patrz *Tabela programów*).

Temperaturę można zmniejszać, aż do prania w zimnej wodzie (❄️).

Pralka automatycznie uniemożliwi ustawienie temperatury wyższej od maksymalnej temperatury przewidzianej dla danego programu.

Ustawianie wirowania

Naciskając przycisk WIROWANIE ustawia się prędkość wirowania dla wybranego programu.

Maksymalne prędkości przewidziane dla poszczególnych programów są następujące:

Programy	Prędkość maksymalna
Bawełna	1400 obrotów na minutę
Tkaniny syntetyczne	800 obrotów na minutę
Wełna	800 obrotów na minutę
Jedwab	tylko odprowadzenie wody

Prędkość wirowania może zostać zmniejszona, można też całkowicie wyłączyć wirowanie, wybierając symbol ⚙️.

Pralka automatycznie uniemożliwi wykonanie wirowania z prędkością większą niż maksymalna prędkość wirowania przewidziana dla danego programu.

Funkcje

Różne funkcje, w jakie wyposażona jest pralka, pozwalają na uzyskanie oczekiwanej czystości i bieli prania.

Aby włączyć poszczególne funkcje, należy:

1. nacisnąć przycisk odpowiadający żądanej funkcji;
2. zapalenie się jego kontrolki sygnalizuje, że funkcja jest włączona.

Uwaga: Szybkie pulsowanie kontrolki wskazuje, że danej funkcji nie można ustawić dla wybranego programu.

Timer opóźnienia

Aby ustawić opóźnione uruchomienie wybranego programu, należy naciskać przycisk aż do wyświetlenia się żądanego opóźnienia (od 1 do 24 h).

W celu wyłączenia funkcji naciskać przycisk dopóki nie wyświetli się napis OFF.

N.B.: Po naciśnięciu przycisku START/PAUZA wartość opóźnienia można zmienić tylko na mniejszą.

! Jest aktywny ze wszystkimi programami.

Super Wash

Dzięki zastosowaniu większej ilości wody w początkowej fazie cyklu i wydłużeniu czasu trwania programu, funkcja ta gwarantuje pranie o wysokiej skuteczności.

! Funkcji tej nie można włączyć w programach 5, 6, 7, 11, 12, , , .

Płukanie dodatkowe

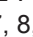
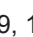
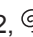
Wybierając tę opcję zwiększa się skuteczność płukania i zapewnia się optymalne usunięcie środka piorącego. Jest to przydatne w przypadku, gdy skóra jest szczególnie wrażliwa na środki piorące.

! Funkcji tej nie można włączyć w programach 5, 6, , , .

Łatwe prasowanie

Po wybraniu tej opcji pranie oraz wirowanie zostaną odpowiednio zmodyfikowane w celu ograniczenia powstawania zagnieść.

W programie 11 po zakończeniu cyklu bielizna pozostanie namoczona, a kontrolka funkcji „ŁATWE PRASOWANIE” oraz kontrolka START/PAUZA będą pulsować (pomarańczowym światłem), natomiast kontrolka PŁUKANIA będzie świecić światłem ciągłym. W celu odprowadzenia wody i umożliwienia wyjęcia prania konieczne jest naciśnięcie przycisku START/PAUZA lub przycisku „ŁATWE PRASOWANIE”.

! Funkcji tej nie można włączyć w programach 5, 6, 7, 8, 9, 12, , , .

Środki piorące i bielizna

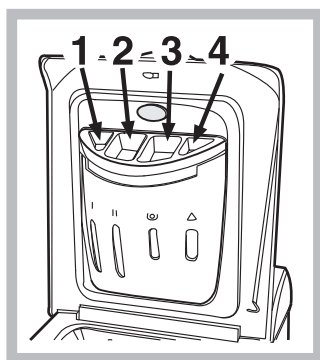
PL

Szufladka na środki piorące

Dobre rezultaty prania zależą również od właściwego dozowania środka piorącego: wsypując go za dużo, wcale nie poprawia się wydajności prania, lecz przyczynia się do odkładania się nalotów na wewnętrznych częściach pralki i do zanieczyszczenia środowiska.

! Środki piorące w proszku należy stosować do tkanin z białej bawełny i do prania wstępnego oraz do prania w temperaturze przekraczającej 60°C.

! Należy stosować się do zaleceń podanych na opakowaniu środka piorącego.



Wysunąć szufladkę i wsypać do niej środki piorące i dodatkowe w następujący sposób

przegródka 1: Środek piorący do prania wstępnego (w proszku)

przegródka 2: Środek piorący (w proszku lub w płynie)

Środek piorący w płynie należy włożyć bezpośrednio do bębna z zastosowaniem odpowiedniej kulki dozującej.


przegródka 3: Środki dodatkowe (zmiękczające, itp.)

Kiedy wlewa się środek zmiękczający do przegrodki 3, to należy zwrócić uwagę, aby nie przekroczyć oznaczonego poziomu "max".

Środek zmiękczający jest automatycznie dodawany do wody podczas ostatniego płukania. Na zakończenie tego programu prania w przegrodce 3 pozostaje reszta wody. Służy ona dla skoncentrowanych środków zmiękczających, to znaczy do ich rozprowadzenia z wodą. Jeśli w przegrodce 3 pozostało więcej wody niż zwykle, oznacza to, że urządzenie dozujące jest zatkane. Jak je wyczyścić patrz strona "Utrzymanie i konserwacja".

przegródka 4: Wybielacz

Cykl wybielania

Wybielanie jest możliwe tylko w programach **2, 3, 7**, . Wlać wybielacz do pojemnika **4**, umieścić we właściwych przegrodkach środek piorący i środek zmiękczający, po czym ustawić jeden z wyżej wymienionych programów. Zalecany tylko do prania bardzo zabrudzonej bielizny bawełnianej.

Przygotowanie bielizny

- Podzielić bieliznę do prania według:
 - rodzaju tkaniny / symbolu na etykiecie.
 - kolorów: oddzielić tkaniny kolorowe od białych.
- Opróżnić kieszenie i sprawdzić guziki.
- Nie przekraczać wskazanego ciężaru suchej bielizny:
 - Tkaniny wytrzymałe: max 6 kg
 - Tkaniny syntetyczne: max 2,5 kg
 - Tkaniny delikatne: max 2 kg
 - Wełna: max 1 kg

Ile waży bielizna?

- 1 prześcieradło 400-500 gr.
- 1 poszewka 150-200 gr.
- 1 obrus 400-500 gr.
- 1 szlafrok 900-1.200 gr.
- 1 ręcznik 150-250 gr.

Tkaniny wymagające szczególnego traktowania

Koszule: stosować specjalny program **10** przeznaczony do prania koszul z różnego rodzaju tkanin i w różnych kolorach. Program ten pozwala zachować je w doskonałym stanie, zmniejszając do minimum powstawanie zagniecen.

Jedwab: stosować odpowiedni program **11** do prania wszelkiego rodzaju wyrobów z jedwabiu. Zaleca się stosowanie specjalnego środka piorącego do tkanin delikatnych.

Firany: włożyć je złożone do poszewki lub do siatkowatego worka. Stosować program **11**.

Wełna: Cykl prania „Wełna” niniejszej pralki Hotpoint-Ariston został przetestowany i zatwierdzony przez Woolmark Company jako odpowiedni do prania odzieży wełnianej przeznaczonej wyłącznie do prania ręcznego, pod warunkiem, że pranie jest przeprowadzane zgodnie z instrukcjami podanymi na etykiecie ubrania oraz ze wskazówkami dostarczonymi przez producenta urządzenia. Hotpoint-Ariston to pierwsza marka pralek, która uzyskała od Woolmark Company certyfikat Woolmark Apparel Care - Platinum ze względu na osiągnięte rezultaty prania oraz zużycie wody i energii.



System równoważenia ładunku

Przed każdym wirowaniem, aby uniknąć nadmiernych drgań oraz jednorodnie rozłożyć wsad, bęben wykonuje obroty z prędkością nieco większą niż podczas prania. Jeśli pomimo kolejnych prób wsad nie zostanie równomiernie rozłożony, maszyna wykona wirowanie z prędkością mniejszą od przewidzianej. W przypadku nadmiernego nierównoważenia pralka wykona rozłożenie wsadu zamiast wirowania. Aby zapewnić lepsze rozłożenie wsadu oraz jego właściwe zrównoważenie, zaleca się wymieszanie dużych i małych sztuk bielizny.

Zalecenia i środki ostrożności

! Pralka została zaprojektowana i wyprodukowana zgodnie z międzynarodowymi normami bezpieczeństwa. Niniejsze ostrzeżenia zostały tu zamieszczone ze względów bezpieczeństwa i należy je uważnie przeczytać.

Ogólne zasady bezpieczeństwa

- Urządzenie to zostało zaprojektowane wyłącznie do użytkowania w warunkach domowych.
- Urządzenie to nie jest przeznaczone do użytkowania przez osoby (w tym dzieci) o ograniczonej sprawności fizycznej, zmysłowej lub umysłowej oraz nieposiadające odpowiedniego doświadczenia i wiedzy, chyba że używają go pod nadzorem lub po otrzymaniu wskazówek od osoby odpowiedzialnej za ich bezpieczeństwo. Należy pilnować, aby dzieci nie bawiły się urządzeniem.
- Nie dotykać pralki, stojąc przy niej boso lub mając mokre lub wilgotne ręce albo stopy.
- Nie wyjmować wtyczki z gniazdka, ciągnąc za kabel, lecz trzymając za wtyczkę.
- Nie dotykać odprowadzanej wody, gdyż może ona osiągać wysokie temperatury.
- W żadnym wypadku nie otwierać okrągłych drzwiczek pralki na siłę: grozi to uszkodzeniem mechanizmu zabezpieczającego drzwiczki przed przypadkowym otwarciem.
- W razie wystąpienia usterki nie należy w żadnym wypadku próbować dostać się do wewnętrznych części pralki z zamiarem samodzielnego dokonania naprawy.
- Zawsze uważać, aby dzieci nie zbliżyły się do pracującej pralki.
- Jeśli trzeba przenieść pralkę w inne miejsce, należy to robić bardzo ostrożnie, w dwie lub trzy osoby. Nigdy nie przenosić pralki samodzielnie, gdyż jest ona bardzo ciężka.
- Przed włożeniem bielizny sprawdzić, czy bęben jest pusty.

Utylizacja

- Utylizacja opakowania: stosować się do lokalnych przepisów, dzięki temu opakowanie będzie mogło zostać ponownie wykorzystane.
- Europejska Dyrektywa 2002/96/EC dotycząca Zużytych Elektrycznych i Elektronicznych Urządzeń zakłada zakaz pozbywania się starych urządzeń domowego użytku jako nieposortowanych śmieci komunalnych. Zużyte urządzenia muszą być osobno zbierane i sortowane w celu zoptymalizowania odzyskania oraz ponownego przetworzenia pewnych komponentów i materiałów. Pozwala to ograniczyć zanieczyszczenie środowiska i pozytywnie wpływa na ludzkie zdrowie. Przekreślony symbol „kosza” umieszczony na produkcie przypomina klientowi o obowiązku specjalnego sortowania.

Konsumenci powinni kontaktować się z władzami lokalnymi lub sprzedawcą w celu uzyskania informacji dotyczących postępowania z ich zużyтыми urządzeniami gospodarstwa domowego.

Oszczędność i ochrona środowiska

Oszczędność środka piorącego, wody, energii i czasu

- Aby nie trwonić zasobów, należy używać pralki załadowanej do pełna. Jedno załadowane do pełna pranie, zamiast dwóch załadowanych do połowy, pozwala na zaoszczędzenie aż do 50% energii.
- Pranie wstępne konieczne jest tylko w przypadku bielizny bardzo brudnej. Unikanie prania wstępnego pozwala na zaoszczędzenie środka piorącego; czasu, wody oraz od 5 do 15% energii.
- Wywabiając plamy odplamiaczem i pozostawiając bieliznę namoczoną w wodzie przed praniem, można zredukować temperaturę prania. Stosując program 60°C zamiast 90°C lub program 40°C zamiast 60°C, można zaoszczędzić aż do 50% energii.
- Dokładne dozowanie środka piorącego w zależności od twardości wody, stopnia zabrudzenia i ilości bielizny pozwala uniknąć jego trwonienia i wychodzi na korzyść środowisku: środki piorące, mimo że ulegają biodegradacji, zawsze zawierają jednak składniki, które zakłócają środowisko naturalne. Należy również unikać, gdy jest to możliwe, środka zmiękczającego.
- Dokonując prania późnym popołudniem i wieczorem, aż do wczesnych godzin rannych, przyczynia się do zmniejszenia obciążenia energetycznego elektrowni. Opcja “Timer opóźnienia” pomaga przy takim zaprogramowaniu prania w czasie.
- Jeśli bielizna ma być wysuszona w suszarce, należy wybrać wysoką szybkość odwirowania. Dobrze odwirowana z wody bielizna pozwala na zaoszczędzenie czasu i energii przy suszeniu.

Utrzymanie i konserwacja

PL

Wyłączenie wody i prądu elektrycznego

- Zamknąć kurek dopływu wody po każdym praniu. Zmniejsza się w ten sposób zużycie instalacji hydraulicznej pralki oraz niebezpieczeństwo przecieków.
- Wyjąć wtyczkę z kontaktu przed przystąpieniem do czyszczenia pralki oraz czynności konserwacyjnych.

Czyszczenie pralki

Obudowę zewnętrzną i gumowe części pralki należy myć wilgotną ściereczką zmoconą w wodzie z mydłem. Nie stosować rozpuszczalników ani ostrych i ściernych środków czyszczących.

Czyszczenie drzwiczek i bębna

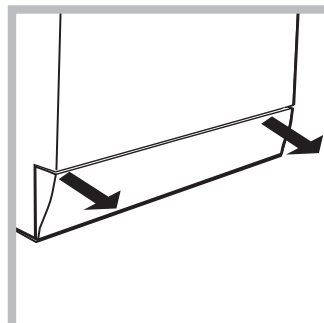
- Należy zawsze pozostawiać uchylone drzwiczki pralki, aby zapobiec tworzeniu się przykrych zapachów.

Czyszczenie pompy

Pralka wyposażona jest w pompę samooczyszczającą, która nie wymaga zabiegów konserwacyjnych. Może się jednak zdarzyć, że małe przedmioty (monety, guziki) wpadną do przedsiionka ochronnego pompy, znajdującego się w jej dolnej części.

! Upewnić się, by cykl prania był zakończony i by wtyczka była wyjęta z gniazdka.

Aby odzyskać ewentualne przedmioty, które upadły do wstępnej komory:



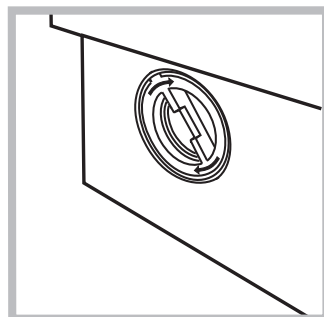
1. Odczepić dolny cokół w przedniej części pralki pociągając rękoma jej boczne końce (patrz rysunek);

2. odkręcić przykrywkę, obracając ją w kierunku przeciwnym do ruchu wskazówek zegara (zobacz rysunek): fakt, że wypłynie trochę wody, jest zjawiskiem normalnym;

3. dokładnie wyczyścić wnętrze;

4. ponownie przykręcić przykrywkę;

5. ponownie przymocować panel, pamiętając owsunięciu zaczepów w odpowiednie otwory przed dopchnięciem go do urządzenia.



Kontrola rury doprowadzania wody

Przynajmniej raz do roku należy skontrolować rurę doprowadzania wody. Jeśli widoczne są na niej rysy i pęknięcia, należy ją wymienić: w trakcie prania duże ciśnienie może bowiem spowodować jej nagłe rozerwanie się.

! Nigdy nie instalować rur używanych.

Jak czyścić szufladkę środków piorących

Wymontowanie:

Lekko przycisnąć duży przycisk w przedniej części szufladki środków piorących i pociągnąć ją do góry (Rys. 1, 2).

Czyszczenie:

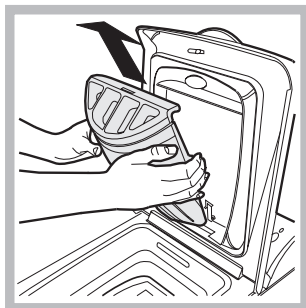
Wymyć szufladkę pod bieżącą wodą (Rys. 3), pomagając sobie starą szczoteczka do zębów i po wyjęciu pary syfonków znajdujących się w górnej części przegródek 1 i 2 (Rys. 4), sprawdzić, czy nie są zatkane i wypłukać je.

Ponowne zamontowanie:

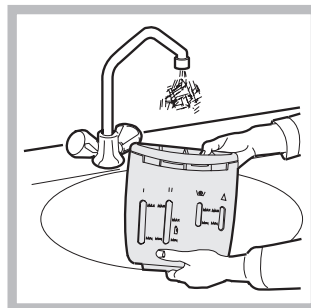
Po włożeniu pary syfonków, wstaw szufladkę na swoje miejsce, zaczepiając ją (Rys. 4, 2, 1).



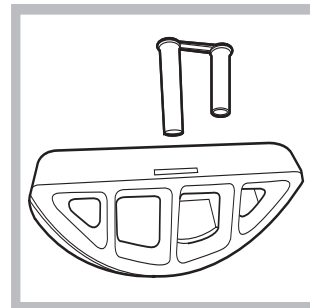
Rys. 1



Rys. 2



Rys. 3



Rys. 4

Nieprawidłowości w działaniu i sposoby ich usuwania

Może się zdarzyć, że pralka nie działa. Przed wezwaniem Serwisu Technicznego (patrz „Serwis Techniczny”) należy sprawdzić, czy problemu nie da się łatwo rozwiązać przy pomocy poniższego wykazu.

Nieprawidłowości w działaniu: **Możliwe przyczyny / Rozwiązania:**

Pralka nie włącza się.

- Wtyczka nie jest włączona do gniazdka lub jest wsunięta za słabo, tak że nie ma styku.
- W domu nastąpiła przerwa w dostawie prądu.

Cykl prania nie rozpoczyna się.

- Drzwiczki nie są dobrze zamknięte.
- Nie został wciśnięty przycisk WŁĄCZANIA/WYŁĄCZANIA.
- Nie został wciśnięty przycisk START/PAUZA.
- Kurek dopływu wody jest zamknięty.
- Zostało nastawione opóźnienie startu (patrz „Personalizacja”).

Pralka nie pobiera wody (szybko pulsuje kontrolka pierwszej fazy prania).

- Przewód doprowadzający wodę nie jest podłączony do kurka.
- Przewód jest zgięty.
- Kurek dopływu wody jest zamknięty.
- W domu nastąpiła przerwa w dostawie wody.
- Ciśnienie wody nie jest wystarczające.
- Nie został wciśnięty przycisk START/PAUZA.

Pralka cały czas pobiera i odprowadza wodę.

- Przewód odpływowy nie został zainstalowany na wysokości między 65 a 100 cm od podłogi (patrz „Instalacja”).
- Końcówka przewodu odpływowego jest zanurzona w wodzie (patrz „Instalacja”).
- Otwór odpływowy w ścianie nie posiada odpowietrznika.

Jeśli po sprawdzeniu tych możliwości problem nie zostanie rozwiązany, należy zamknąć kurek dopływu wody, wyłączyć pralkę i wezwać Serwis Techniczny. Jeśli mieszkanie znajduje się na najwyższych piętrach budynku, może wystąpić efekt syfonu, w wyniku którego pralka cały czas pobiera i odprowadza wodę. W celu wyeliminowania tej niedogodności należy zakupić specjalny zawór, zapobiegający powstawaniu efektu syfonu.

Pralka nie odprowadza wody i nie odwirowuje prania.

- Program nie przewiduje odprowadzania wody: w przypadku niektórych programów należy uruchomić je ręcznie.
- Włączona jest funkcja ŁATWE PRASOWANIE: aby zakończyć program, należy nacisnąć przycisk START/PAUZA („Personalizacja”).
- Przewód odpływowy jest zgięty (patrz „Instalacja”).
- Instalacja odpływowa jest zatkana.

Pralka mocno wibruje w fazie wirowania.

- Podczas instalacji pralki bęben nie został prawidłowo odblokowany (patrz „Instalacja”).
- Pralka nie jest właściwie wypoziomowana (patrz „Instalacja”).
- Pralka, zainstalowana pomiędzy meblami a ścianą, ma za mało miejsca (patrz „Instalacja”).

Z pralki wycieka woda.

- Przewód doprowadzający wodę nie jest dobrze przykręcony (patrz „Instalacja”).
- Szufładka na środki piorące jest zatkana (w celu jej oczyszczenia patrz „Utrzymanie i konserwacja”).
- Przewód odpływowy nie jest dobrze zamocowany (patrz „Instalacja”).

Kontrolka START/PAUZA (pomarańczowa) oraz kontrolki funkcji szybko pulsują.

- Wyłączyć maszynę i wyjąć wtyczkę z gniazdka, odczekać około 1 minuty, następnie włączyć ją ponownie. Jeśli problem nie ustępuje, należy wezwać Serwis Techniczny.

Tworzy się zbyt duża ilość piany.

- Środek piorący nie jest odpowiedni do pralek automatycznych (na opakowaniu musi być umieszczony napis: „do pralek”, „do prania ręcznego i w pralce” lub podobny).
- Użyto za dużo środka piorącego.

Serwis Techniczny

PL

Przed skontaktowaniem się z Serwisem Technicznym:

- Sprawdzić, czy problemu nie można rozwiązać samodzielnie (*patrz „Nieprawidłowości w działaniu i sposoby ich usuwania”*);
- Ponownie uruchomić program i sprawdzić, czy problem nie zniknął;
- Jeśli nie, zwrócić się do autoryzowanego Serwisu Technicznego, dzwoniąc pod numer podany w karcie gwarancyjnej.

! Nigdy nie wzywać nieautoryzowanych techników.

Należy podać:

- rodzaj nieprawidłowości;
- model maszyny (Mod.);
- numer seryjny (S/N).

Informacje te znajdują się na przymocowanej z tyłu pralki tabliczce znamionowej.

I

Italiano

ARTXF 149

Sommario

Installazione, 38-39

Disimballo e livellamento
Collegamenti idraulici ed elettrici
Primo ciclo di lavaggio
Dati tecnici

Descrizione della lavabiancheria e avviare un programma, 40-41

Pannello di controllo
Spie
Come aprire e chiudere il cestello
Avviare un programma

Programmi, 42

Tabella dei programmi

Personalizzazioni, 43

Impostare la temperatura
Impostare la centrifuga
Funzioni

Detersivi e biancheria, 44

Cassetto dei detersivi
Ciclo candeggio
Preparare la biancheria
Capi particolari
Sistema bilanciamento del carico

Precauzioni e consigli, 45

Sicurezza generale
Smaltimento
Risparmiare e rispettare l'ambiente

Manutenzione e cura, 46

Escludere acqua e corrente elettrica
Pulire la lavabiancheria
Curare coperchio e cestello
Pulire la pompa
Controllare il tubo di alimentazione dell'acqua
Come pulire la vaschetta del detersivo

Anomalie e rimedi, 47

Assistenza, 48

Assistenza Attiva 7 giorni su 7

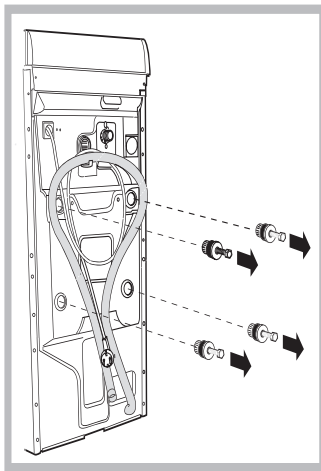
Installazione

! È importante conservare questo libretto per poterlo consultare in ogni momento. In caso di vendita, di cessione o di trasloco, assicurarsi che resti insieme alla lavabiancheria per informare il nuovo proprietario sul funzionamento e sui relativi avvertimenti.

! Leggere attentamente le istruzioni: ci sono importanti informazioni sull'installazione, sull'uso e sulla sicurezza.

Disimballo e livellamento

Disimballo



1. Disimballare la lavabiancheria.
2. Controllare che la lavabiancheria non abbia subito danni nel trasporto. Se fosse danneggiata non collegarla e contattare il rivenditore.
3. Rimuovere le quattro viti di protezione per il trasporto e il gommino con il relativo distanziale, posti nella parte posteriore (vedi figura).
4. Chiudere i fori con i tappi di plastica in dotazione.

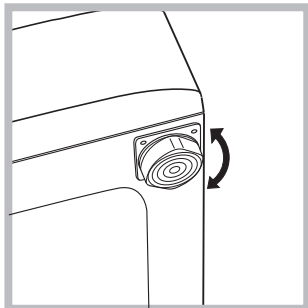
5. Conservare tutti i pezzi: qualora la lavabiancheria debba essere trasportata, dovranno essere rimontati.

Attenzione. In caso di riutilizzo le viti più corte devono essere montate in alto.

! Gli imballaggi non sono giocattoli per bambini.

Livellamento

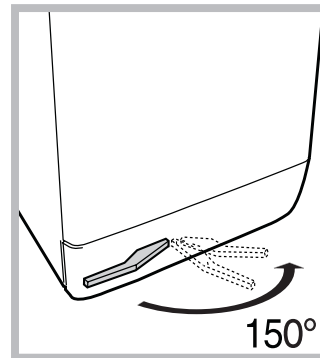
La vostra lavabiancheria potrà essere rumorosa se i due piedini non sono regolati in modo che la stessa risulti perfettamente in piano.



1. Installare la lavabiancheria su un pavimento piano e rigido, senza appoggiarla a muri, mobili o altro.
2. Se il pavimento non fosse perfettamente orizzontale, compensare le irregolarità svitando o avvitando i piedini anteriori posteriori (vedi figura); l'angolo di inclinazione, misurato sul piano di lavoro, non deve superare i 2°.

Un accurato livellamento dà stabilità alla macchina ed evita vibrazioni, rumori e spostamenti durante il funzionamento. In caso di moquette o di un tappeto, regolare i piedini in modo da conservare sotto la lavabiancheria uno spazio sufficiente per la ventilazione.

Collocazione spostamenti

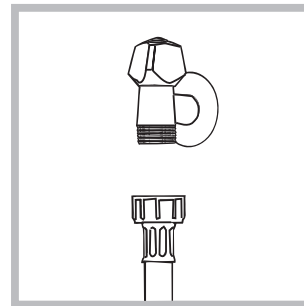


collocata (vedi figura).

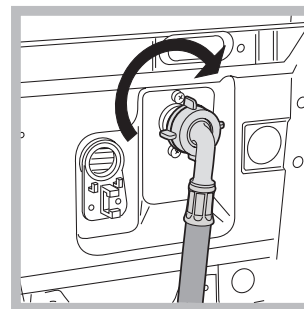
La tua lavatrice è dotata di uno speciale carrello con ruote retrattili puoi facilmente spostarla. Per far scendere questo carrello e poterla così muovere senza sforzo, è necessario tirare la leva nera, situata in basso a sinistra, sotto lo zoccolo. Ultimato lo spostamento riportarla nella posizione iniziale. La macchina a questo punto è saldamente

Collegamenti idraulici ed elettrici

Collegamento del tubo di alimentazione dell'acqua



1. Collegare il tubo di alimentazione avvitandolo a un rubinetto d'acqua fredda con bocca filettata da 3/4 gas (vedi figura). Prima di allacciare, far scorrere l'acqua finché non sia limpida.

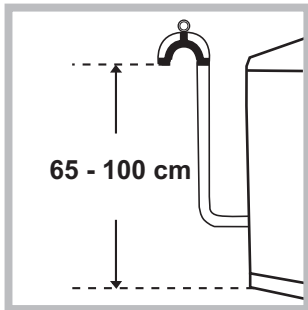


2. Collegare il tubo di alimentazione alla lavabiancheria avvitandolo all'apposita presa d'acqua, nella parte posteriore in alto a destra (vedi figura).
3. Fare attenzione che nel tubo non ci siano né pieghe né strozzature.

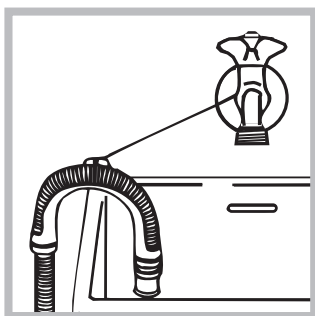
! La pressione idrica del rubinetto deve essere compresa nei valori della tabella Dati tecnici (vedi pagina a fianco).

! Se la lunghezza del tubo di alimentazione non fosse sufficiente, rivolgersi a un negozio specializzato o a un tecnico autorizzato.

Collegamento del tubo di scarico



Collegare il tubo di scarico, senza piegarlo, a una conduttura di scarico o a uno scarico a muro posti tra 65 e 100 cm da terra;



oppure appoggiarlo al bordo di un lavandino o di una vasca, legando la guida in dotazione al rubinetto (vedi figura). L'estremità libera del tubo di scarico non deve rimanere immersa nell'acqua.

! È sconsigliato usare tubi di prolunga; se indispensabile, la prolunga deve avere lo stesso diametro del tubo originale e non superare i 150 cm.

Collegamento elettrico

Prima di inserire la spina nella presa della corrente, accertarsi che:

- la presa abbia la messa a terra e sia a norma di legge;
- la presa sia in grado di sopportare il carico massimo di potenza della macchina, indicato nella tabella Dati tecnici (vedi a fianco);
- la tensione di alimentazione sia compresa nei valori indicati nella tabella Dati tecnici (vedi a fianco);
- la presa sia compatibile con la spina della lavabiancheria. In caso contrario sostituire la presa o la spina.

! La lavabiancheria non va installata all'aperto, nemmeno se lo spazio è riparato, perché è molto pericoloso lasciarla esposta a pioggia e temporali.

! A lavabiancheria installata, la presa della corrente deve essere facilmente raggiungibile.

! Non usare prolunghe e multiple.

! Il cavo non deve subire piegature o compressioni.

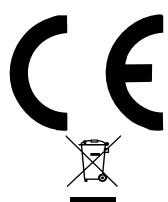
! Il cavo di alimentazione deve essere sostituito solo da tecnici autorizzati.

Attenzione! L'azienda declina ogni responsabilità qualora queste norme non vengano rispettate.

Qualsiasi modifica apportata all'attacco predisposto dalla fabbrica o un irregolare collegamento elettrico, una qualsiasi modifica elettromeccanica o idraulica della macchina farà decadere la garanzia e solleverà il costruttore ed il venditore da eventuali responsabilità.

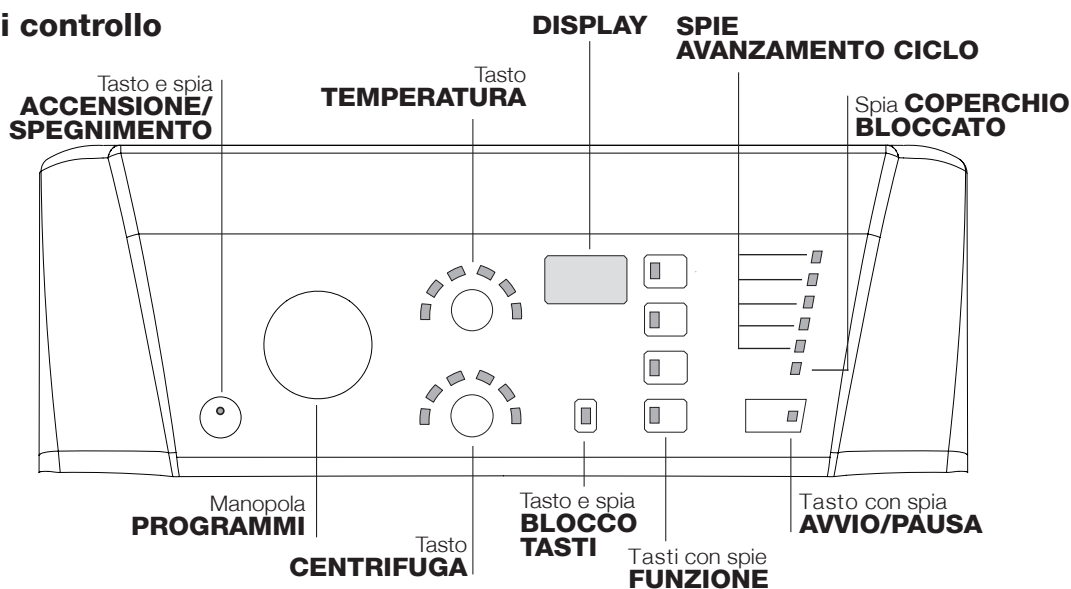
Primo ciclo di lavaggio

Dopo l'installazione, prima dell'uso, effettuare un ciclo di lavaggio con detersivo e senza biancheria impostando il programma 2.

Dati tecnici	
Modello	ARTXF 149
Dimensioni	larghezza cm 40 altezza cm 85 profondità cm 60
Capacità	da 1 a 6 kg
Collegamenti elettrici	vedi la targhetta caratteristiche tecniche applicata sulla macchina
Collegamenti idrici	pressione massima 1 MPa (10 bar) pressione minima 0,05 MPa (0,5 bar) capacità del cesto 42 litri
Velocità di centrifuga	sino a 1400 giri al minuto
Programmi di controllo secondo la direttiva 1061/2010 e 1015/2010.	programma 7; temperatura 60°C e 40°C.
	Questa apparecchiatura è conforme alle seguenti Direttive Comunitarie: - 2004/108/CE (Compatibilità Elettromagnetica) - 2002/96/CE - 2006/95/CE (Bassa Tensione)

Descrizione della lavabiancheria e avviare un programma

Pannello di controllo



Tasto e spia **ACCENSIONE/SPEGNIMENTO**: per accendere e spegnere la macchina. La spia illuminata indica che la macchina è accesa.

Manopola **PROGRAMMI**: per impostare i programmi. Durante il programma la manopola resterà ferma.

Tasto **CENTRIFUGA**: per impostare la centrifuga o escluderla (vedi "Personalizzazioni").

Tasto **TEMPERATURA**: per impostare la temperatura o il lavaggio a freddo (vedi "Personalizzazioni").

DISPLAY: per visualizzare il tempo residuo del ciclo di lavaggio selezionato e, se è stata impostata una partenza ritardata, il tempo mancante all'inizio del lavaggio.

Tasto e spia **BLOCCO TASTI**: per attivare o disattivare il blocco del pannello comandi.

Tasti **FUNZIONE**: per selezionare le funzioni disponibili. La spia relativa alla funzione selezionata rimarrà accesa.

SPIE AVANZAMENTO CICLO: per seguire lo stato di avanzamento del programma di lavaggio.

La spia accesa indica la fase in corso.

Spia **COPERCHIO BLOCCATO**: per capire se il coperchio è apribile (vedi pagina a fianco).

Tasto **AVVIO/PAUSA**: per avviare i programmi o interromperli momentaneamente.

N.B.: per mettere in pausa il lavaggio in corso, premere questo tasto, la spia relativa lampeggerà con colore arancione mentre quella della fase in corso sarà accesa fissa. Se la spia **COPERCHIO BLOCCATO** \rightarrow \circ sarà spenta, si potrà aprire il coperchio. Per far ripartire il lavaggio dal punto in cui è stato interrotto, premere nuovamente questo tasto.

Modalità di stand by

Questa lavatrice, in conformità alle nuove normative legate al risparmio energetico, è dotata di un sistema di autospegnimento (stand by) che entra in funzione dopo circa 30 minuti nel caso di non utilizzo. Premere brevemente il tasto ACCENSIONE/SPEGNIMENTO e attendere che la macchina si riattivi.

Consumo in off-mode: 1 W

Consumo in Left-on: 1 W

Spie

Le spie forniscono informazioni importanti. Ecco che cosa dicono:

Spie fase in corso

Ruotando la manopola PROGRAMMI, le spie si illumineranno indicando le fasi che la macchina effettuerà in base al programma prescelto.

Una volta selezionato e avviato il ciclo di lavaggio desiderato, le spie si accenderanno progressivamente per indicarne lo stato di avanzamento:

Lavaggio	
Risciacquo	
Centrifuga	
Scarico	
Fine lavaggio	

Tasti funzione e relative spie

Selezionando una funzione la spia relativa si illuminerà. Se la funzione selezionata non è compatibile con il programma impostato la spia relativa lampeggerà, verrà emesso un segnale acustico e la funzione non verrà attivata.

Nel caso venga impostata una funzione incompatibile con un'altra precedentemente selezionata rimarrà attiva solo l'ultima scelta.

Spie temperatura

Selezionando un valore di temperatura la spia relativa si illuminerà.



Spie centrifuga

Selezionando un valore di centrifuga la spia relativa si illuminerà.



Spia blocco tasti

Per **attivare** il blocco del pannello di controllo, tenere premuto il tasto per circa 2 secondi. La spia accesa indica che il pannello di controllo è bloccato. In questo modo si impediscono modifiche accidentali dei programmi, soprattutto se in casa ci sono dei bambini. Per **disattivare** il blocco del pannello di controllo, tenere premuto il tasto per circa 2 secondi.

Spia coperchio bloccato

La spia accesa indica che il coperchio è bloccato per impedire aperture accidentali; per evitare danni è necessario attendere che la spia si spenga prima di aprire il coperchio. L'attesa è di tre minuti circa.

N.B.: se è attiva la funzione PARTENZA RITARDATA il coperchio non si può aprire, per aprirlo mettere la macchina in pausa premendo il tasto AVVIO/PAUSA.

! Il lampeggio veloce della spia AVVIO/PAUSA (arancione) contemporaneo a quello delle funzioni segnala un'anomalia (vedi "Anomalie e rimedi").

Come aprire e chiudere il cestello

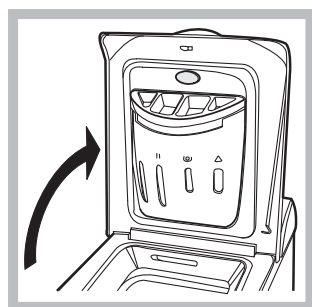


Fig. 1

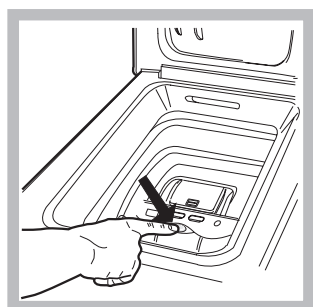


Fig. 2

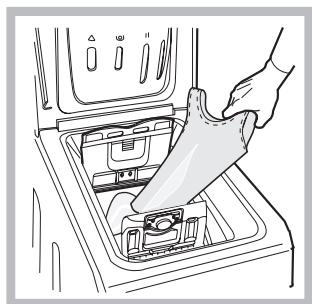


Fig. 3

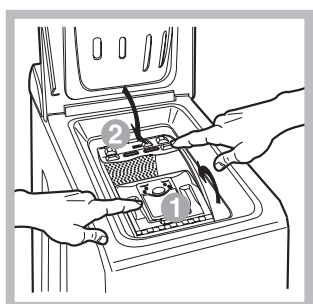


Fig. 4

A) Apertura coperchio superiore (Fig. 1):

Solleverlo il coperchio esterno ed aprirlo completamente.

B) Apertura cestello (Soft opening):

Con un dito premere il pulsante indicato nella fig. 2 ed il cestello si aprirà delicatamente.

C) Introduzione biancheria (Fig. 3).

D) Chiusura (Fig. 4).

- richiudere bene il cestello abbassando prima lo sportello anteriore ed appoggiandovi quindi quello posteriore;
- assicurarsi quindi che i ganci dello sportello anteriore siano perfettamente alloggiati nella sede dello sportello posteriore;
- dopo aver sentito il "clac" dell'avvenuto aggancio, esercitare una lieve pressione verso il basso su entrambi gli sportelli che non devono sganciarsi;
- chiudere infine il coperchio esterno.

E) Arresto finale del cestello (Fig. 2):

Al termine del lavaggio il cestello si collocherà con gli sportelli in alto per una facile apertura.

Avviare un programma

1. Accendere la lavabiancheria premendo il tasto ACCENSIONE/SPEGNIMENTO. Tutte le spie si accenderanno per qualche secondo, poi rimarranno accese le spie relative alle impostazioni del programma selezionato e pulserà la spia AVVIO/PAUSA.
2. Caricare la biancheria, chiudere gli sportelli e il coperchio.
3. Impostare con la manopola PROGRAMMI il programma desiderato.
4. Impostare la temperatura di lavaggio (vedi "Personalizzazioni").
5. Impostare la velocità di centrifuga (vedi "Personalizzazioni").
6. Versare detersivo e additivi (vedi "Detersivi e biancheria").
7. Selezionare le funzioni desiderate.
8. Avviare il programma premendo il tasto AVVIO/PAUSA e la spia relativa rimarrà accesa fissa di colore verde. Per annullare il ciclo impostato mettere la macchina in pausa premendo il tasto AVVIO/PAUSA e scegliere un nuovo ciclo.
9. Al termine del programma si illuminerà la spia END. La spia COPERCHIO BLOCCATO si spegnerà indicando che il coperchio è apribile. Estrarre la biancheria e lasciare il coperchio socchiuso per far asciugare il cestello. Spegnerla lavabiancheria premendo il tasto ACCENSIONE/SPEGNIMENTO.

Programmi

Tabella dei programmi

Programmi	Descrizione del Programma	Temp. max. (°C)	Velocità max. (giri al minuto)	Detersivi				Carico max. (kg)	Umidità residua %	Consumo energia kWh	Acqua totale lt	Durata ciclo
				Prelavaggio	Candeggina	Lavaggio	Ammorbidente					
Programmi Giornalieri												
1	Cotone + Prelavaggio: Bianchi estremamente sporchi.	90°	1400	●	-	●	●	6	53	1,92	67	160
2	Cotone: Bianchi e colorati resistenti molto sporchi.	60°	1400	-	●	●	●	6	-	-	-	135
3	Cotone Colorati (3): Bianchi poco sporchi e colori delicati.	40°	1400	-	●	●	●	6	53	0,65	54	90
4	Sintetici: Colori resistenti molto sporchi.	60°	800	-	-	●	●	2,5	44	0,85	39	105
4	Sintetici (4): Colori resistenti poco sporchi.	40°	800	-	-	●	●	2,5	44	0,53	39	95
5	Mix 30': Per rinfrescare rapidamente capi poco sporchi (non indicato per lana, seta e capi da lavare a mano).	30°	800	-	-	●	●	3	71	0,25	33	30
6	Mix 15': Per rinfrescare rapidamente capi poco sporchi (non indicato per lana, seta e capi da lavare a mano).	30°	800	-	-	●	●	1,5	71	0,08	29	15
Programmi Speciali												
7	Sanitary: Bianchi estremamente sporchi.	90°	1400	-	●	●	●	6	-	-	-	180
7	Sanitary (1-2): Bianchi e colorati resistenti molto sporchi.	60°	1400	-	-	●	●	6	53	1,042	51	165
7	Sanitary (2): Bianchi e colorati resistenti molto sporchi.	40°	1400	-	-	●	●	6	53	0,88	61	160
8	Buonanotte: Colori delicati poco sporchi.	40°	800	-	-	●	●	4	-	-	-	280
9	Ciclo Baby: Colori delicati molto sporchi.	40°	800	-	-	●	●	2	-	-	-	120
10	Camicie	40°	600	-	-	●	●	2	-	-	-	80
11	Seta/Tende: Per capi in seta, viscosa, lingerie.	30°	0	-	-	●	●	1	-	-	-	55
12	Lana: Per lana, cachemire, ecc.	40°	800	-	-	●	●	1	-	-	-	65
Programmi Parziali												
	Risciacquo	-	1400	-	●	-	●	6	-	-	-	36
	Centrifuga	-	1400	-	-	-	-	6	-	-	-	16
	Centrifuga Delicata	-	800	-	-	-	-	2,5	-	-	-	12
	Scarico	-	0	-	-	-	-	6	-	-	-	2

La durata del ciclo indicata sul display o su questo libretto è una stima calcolata in base a condizioni standard. Il tempo effettivo può variare in base a numerosi fattori quali la temperatura e la pressione dell'acqua in ingresso, la temperatura ambiente, la quantità di detersivo, la quantità ed il tipo di carico, il bilanciamento del carico, le opzioni aggiuntive selezionate.

Per tutti Test Institutes:

(1) Programma di controllo secondo la direttiva 2010/1061: impostare il programma 7; temperatura di 60°C e 40°C.

Questo ciclo è adatto per pulire un carico di cotone normalmente sporco ed è il più efficiente in termini di consumo combinato di energia e di acqua, da usare su capi lavabili a 60 °C e 40°C. La temperatura effettiva di lavaggio può differire da quella indicata.

2) Programma cotone lungo: impostare il programma 7; temperatura di 40°C.

3) Programma cotone corto: impostare il programma 3; temperatura di 40°C.

4) Programma sintetico lungo: impostare il programma 4; temperatura di 40°C.

Programmi particolari

Sanitary (programma 7). Un programma igienizzante ad alte temperature che prevede l'uso della candeggina con temperature superiori a 60°C. Per candeggiare versare la candeggina i detersivi e gli additivi nei relativi scomparti (vedi paragrafo "Cassetto dei detersivi").

Buonanotte (programma 8). E' un ciclo silenzioso che può lavorare di notte quando la tariffa energetica è ridotta. Il programma è studiato per capi sintetici e di cotone. Alla fine del ciclo la macchina si ferma con l'acqua in vasca; per effettuare la centrifuga e lo scarico premere il tasto AVVIO/PAUSA, altrimenti dopo 8 ore la macchina effettuerà automaticamente la centrifuga e lo scarico dell'acqua.

Ciclo Baby (programma 9). Programma in grado di asportare lo sporco tipico dei bambini garantendo la rimozione del detersivo dai panni onde evitare allergie alla pelle delicata dei bambini. Il ciclo è stato studiato per ridurre la carica batterica utilizzando una maggior quantità di acqua e ottimizzando l'effetto di additivi specifici igienizzanti aggiunti al detersivo. Al termine del lavaggio la macchina effettuerà delle lente rotazioni del cestello per evitare la creazione di pieghe; per terminare il ciclo premere il tasto AVVIO/PAUSA.

Mix 30' (programma 5) è studiato per lavare capi leggermente sporchi in poco tempo: dura solo 30 minuti e fa così risparmiare energia e tempo. Impostando il programma (5 a 30°C) è possibile lavare insieme tessuti di diversa natura (esclusi lana e seta) con un carico massimo di 3 kg.

Mix 15' (programma 6) è studiato per lavare capi leggermente sporchi in poco tempo: dura solo 15 minuti e fa così risparmiare energia e tempo. Impostando il programma (6 a 30°C) è possibile lavare insieme tessuti di diversa natura (esclusi lana e seta) con un carico massimo di 1,5 kg.

Personalizzazioni

Impostare la temperatura

Premendo il tasto TEMPERATURA si imposta la temperatura di lavaggio (vedi *Tabella programmi*).

La temperatura si può ridurre sino al lavaggio a freddo (❄).

La macchina impedirà automaticamente di impostare una temperatura maggiore a quella massima prevista per ogni programma.

Impostare la centrifuga

Premendo il tasto CENTRIFUGA si imposta la velocità di centrifuga del programma selezionato.

Le velocità massime previste per i programmi sono:

Programmi	Velocità massima
Cotone	1400 giri al minuto
Sintetici	800 giri al minuto
Lana	800 giri al minuto
Seta	solo scarico

La velocità di centrifuga può essere ridotta, oppure esclusa selezionando il simbolo ⌘.

La macchina impedirà automaticamente di effettuare una centrifuga maggiore a quella massima prevista per ogni programma.

Funzioni

Le varie funzioni di lavaggio previste dalla lavabiancheria permettono di ottenere la pulizia e il bianco desiderati.

Per attivare le funzioni:

1. premere il tasto relativo alla funzione desiderata;
2. l'accensione della spia relativa segnala che la funzione è attiva.

Nota: Il lampeggio veloce della spia indica che la funzione relativa non è selezionabile per il programma impostato.

Partenza ritardata

Per impostare la partenza ritardata del programma prescelto, premere più volte il pulsante fino a visualizzare il ritardo desiderato (da 1 a 24 h).

Per disattivare la funzione premere il pulsante fino a visualizzare la scritta *OFF*.

N.B.: Una volta premuto il tasto AVVIO/PAUSA, si può modificare il valore del ritardo solo diminuendolo.

! E' attivo con tutti i programmi.

Super Lavaggio

Grazie all'utilizzo di una maggior quantità d' acqua nella fase iniziale del ciclo e all'impiego di maggior tempo, tale funzione garantisce un lavaggio di alte performance.

! Non è attivabile sui programmi 5, 6, 7, 11, 12, , , , .

Extra Risciacquo

Selezionando questa funzione si aumenta l'efficacia del risciacquo, e si assicura la massima rimozione del detersivo. E' utile per pelli particolarmente sensibili.

! Non è attivabile sui programmi 5, 6, , , .

Stira Facile

Selezionando questa funzione, il lavaggio e la centrifuga saranno opportunamente modificati per ridurre la formazione di pieghe.

Nel programma 11, la macchina terminerà il ciclo con la biancheria in ammollo, la spia della funzione STIRA FACILE e quella di AVVIO/PAUSA lampeggeranno (arancione) e la fase RISCIAQUO rimarrà accesa fissa.

Per scaricare l'acqua e poter rimuovere il bucato sarà necessario premere il tasto AVVIO/PAUSA o il tasto STIRA FACILE.

! Non è attivabile sui programmi 5, 6, 7, 8, 9, 12, , , .

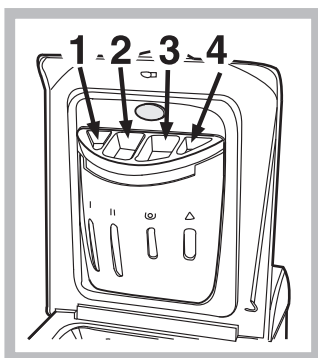
Detersivi e biancheria

Cassetto dei detersivi

Il buon risultato del lavaggio dipende anche dal corretto dosaggio del detersivo: eccedendo non si lava in modo più efficace e si contribuisce a incrostare le parti interne della lavabiancheria e a inquinare l'ambiente.

! Usare detersivi in polvere per capi in cotone bianchi e per il prelavaggio e per lavaggi con temperatura superiore a 60°C.

! Seguire le indicazioni riportate sulla confezione di detersivo.



Alzare il coperchio al di sotto del quale è collocato il cassetto dei detersivi e inserire il detersivo o l'additivo come segue.

vaschetta 1: Detersivo per prelavaggio (in polvere)

vaschetta 2: Detersivo per lavaggio (in polvere o liquido)

E' opportuno immettere direttamente il detersivo liquido in vasca a mezzo dell'apposita pallina.

vaschetta 3: Additivi (ammorbidente, ecc.)

Quando si versa l'ammorbidente nel comparto 3, far attenzione a non superare il livello "max" indicato.

L'ammorbidente viene automaticamente immesso in macchina durante l'ultimo risciacquo. Al termine del programma di lavaggio nello scomparto 3 rimane un residuo d'acqua. Questa serve per l'immissione di ammorbidenti molto densi, ovvero per diluire quelli concentrati. Se nel comparto 3 rimanesse più acqua del normale, ciò significa che il dispositivo di svuotamento è intasato. Per la pulizia vedi "Manutenzione e cura".

vaschetta 4: Candeggina

Ciclo candeggio

Il candeggio può essere effettuato solo con i programmi 2, 3, 7, 8. Versare la candeggina nella vaschetta 4, il detersivo e l'ammorbidente nelle rispettive vaschette, quindi impostare uno dei programmi soprariportati.

E' indicato solo per capi in cotone molto sporchi.

! Non usare detersivi per il lavaggio a mano, perché formano troppa schiuma.

Preparare la biancheria

- Suddividere la biancheria secondo:
 - il tipo di tessuto / il simbolo sull'etichetta.
 - i colori: separare i capi colorati da quelli bianchi.
- Vuotare le tasche e controllare i bottoni.
- Non superare i valori indicati, riferiti al peso della biancheria asciutta:

Tessuti resistenti: max 6 kg

Tessuti sintetici: max 2,5 kg

Tessuti delicati: max 2 kg

Lana: max 1 kg

Quanto pesa la biancheria?

1 lenzuolo 400-500 gr.

1 federa 150-200 gr.

1 tovaglia 400-500 gr.

1 accappatoio 900-1.200 gr.

1 asciugamano 150-250 gr.

Capi particolari

Camicie: utilizzare l'apposito programma 10 per lavare camicie di diversi tipo di tessuto e colore. Ne garantisce la massima cura minimizzando la formazione delle pieghe.

Seta: utilizzare l'apposito programma 11 per lavare tutti i capi in seta. Si consiglia l'utilizzo di un detersivo specifico per capi delicati.

Tende: si raccomanda di piegarle e sistemarle dentro una federa o un sacchetto a rete. Utilizzare il programma 11.

Lana: Il ciclo di lavaggio "Lana" di questa lavatrice Hotpoint-Ariston è stato testato e approvato dalla Woolmark Company per il lavaggio di capi in lana classificati come "lavabili a mano", purché il lavaggio venga eseguito nel rispetto delle istruzioni riportate sull'etichetta dell'indumento e delle indicazioni fornite dal produttore dell'elettrodomestico. Hotpoint-Ariston è la prima marca di lavatrici ad aver ottenuto dalla Woolmark Company la certificazione Woolmark Apparel Care - Platinum per le sue prestazioni di lavaggio e il consumo di acqua ed energia.



Sistema bilanciamento del carico

Prima di ogni centrifuga, per evitare vibrazioni eccessive e per distribuire il carico in modo uniforme, il cestello effettua delle rotazioni ad una velocità leggermente superiore a quella del lavaggio. Se al termine di ripetuti tentativi il carico non fosse ancora correttamente bilanciato la macchina effettua la centrifuga ad una velocità inferiore a quella prevista. In presenza di eccessivo sbilanciamento la lavabiancheria effettua la distribuzione anziché la centrifuga. Per favorire una migliore distribuzione del carico e il suo corretto bilanciamento si consiglia di mescolare capi grandi e piccoli.

Precauzioni e consigli

! La lavabiancheria è stata progettata e costruita in conformità alle norme internazionali di sicurezza. Queste avvertenze sono fornite per ragioni di sicurezza e devono essere lette attentamente.

Sicurezza generale

- Questo apparecchio è stato concepito esclusivamente per un uso di tipo domestico.
- L'apparecchio non deve essere utilizzato da persone (bambini compresi) con capacità fisiche, sensoriali o mentali ridotte e con esperienze e conoscenze insufficienti, a meno che tale utilizzo non avvenga sotto la supervisione o le istruzioni di una persona responsabile della loro sicurezza. I bambini devono essere sorvegliati per garantire che non giochino con l'apparecchio.
- La lavabiancheria deve essere usata solo da persone adulte e secondo le istruzioni riportate in questo libretto.
- Non toccare la macchina a piedi nudi o con le mani o i piedi bagnati o umidi.
- Non staccare la spina dalla presa della corrente tirando il cavo, bensì afferrando la spina.
- Non toccare l'acqua di scarico, che può raggiungere temperature elevate.
- Non forzare in nessun caso il coperchio: potrebbe danneggiarsi il meccanismo di sicurezza che protegge da aperture accidentali.
- In caso di guasto, in nessun caso accedere ai meccanismi interni per tentare una riparazione.
- Controllare sempre che i bambini non si avvicinino alla macchina in funzione.
- Se dev'essere spostata, lavorare in due o tre persone con la massima attenzione. Mai da soli perché la macchina è molto pesante.
- Prima di introdurre la biancheria controlla che il cestello sia vuoto.

Smaltimento

- Smaltimento del materiale di imballaggio: attenersi alle norme locali, così gli imballaggi potranno essere riutilizzati.
- La direttiva Europea 2002/96/CE sui rifiuti di apparecchiature elettriche ed elettroniche, prevede che gli elettrodomestici non debbano essere smaltiti nel normale flusso dei rifiuti solidi urbani. Gli apparecchi dismessi devono essere raccolti separatamente per ottimizzare il tasso di recupero e riciclaggio dei materiali che li compongono ed impedire potenziali danni per la salute e l'ambiente.

Il simbolo del cestino barrato è riportato su tutti i prodotti per ricordare gli obblighi di raccolta separata. Per ulteriori informazioni, sulla corretta dismissione degli elettrodomestici, i detentori potranno rivolgersi al servizio pubblico preposto o ai rivenditori.

Risparmiare e rispettare l'ambiente

Tecnologia a servizio dell'ambiente: risparmiare detersivo, acqua, energia e tempo

- Per non sprecare risorse bisogna utilizzare la lavabiancheria con il massimo carico. Un carico pieno al posto di due mezzi fa risparmiare fino al 50% di energia.
- Il prelavaggio è necessario solo per biancheria molto sporca. Evitarlo fa risparmiare detersivo, tempo, acqua e tra il 5 e il 15% di energia.
- Trattando le macchie con uno scioglimalchia o lasciandole in ammollo prima del lavaggio, si riduce la necessità di lavare ad alte temperature. Un programma a 60°C invece di 90°C o uno a 40°C invece di 60°C, fa risparmiare fino al 50% di energia.
- Dosare bene il detersivo in base alla durezza dell'acqua, al grado di sporco e alla quantità di biancheria evita sprechi e protegge l'ambiente: pur biodegradabili, i detersivi contengono elementi che alterano l'equilibrio della natura. Inoltre evitare il più possibile l'ammorbidente.
- Effettuando i lavaggi dal tardo pomeriggio fino alle prime ore del mattino si collabora a ridurre il carico di assorbimento delle aziende elettriche. La funzione "Partenza Ritardata" aiuta molto a organizzare i lavaggi in tal senso.
- Se il bucato deve essere asciugato in un asciugatore, selezionare un'alta velocità di centrifuga. Poca acqua nel bucato fa risparmiare tempo ed energia nel programma di asciugatura.

Manutenzione e cura

Escludere acqua e corrente elettrica

- Chiudere il rubinetto dell'acqua dopo ogni lavaggio. Si limita così l'usura dell'impianto idraulico della lavabiancheria e si elimina il pericolo di perdite.
- Staccare la spina della corrente quando si pulisce la lava biancheria e durante i lavori di manutenzione.

Pulire la lavabiancheria

- La parte esterna e le parti in gomma possono essere puliti con un panno imbevuto di acqua tiepida e sapone. Non usare solventi o abrasivi.

Curare Coperchio e cestello

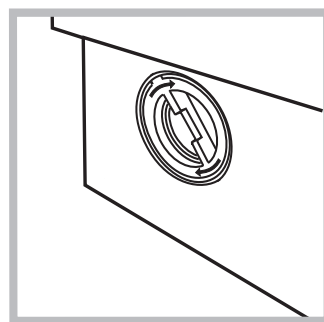
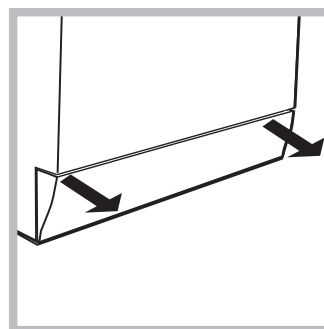
- Lasciare sempre socchiuso il coperchio per evitare che si formino cattivi odori.

Pulire la pompa

La lavabiancheria è dotata di una pompa autopulente che non ha bisogno di manutenzione. Può però succedere che piccoli oggetti (monete, bottoni) cadano nella precamera che protegge la pompa, situata nella parte inferiore di essa.

! Assicurarsi che il ciclo di lavaggio sia terminato e staccare la spina.

Per recuperare eventuali oggetti caduti nella precamera:



1. rimuovere il pannello di copertura sul lato anteriore della lavabiancheria tirando con le mani dai lati dello zoccolo (vedi figura);
2. svitare il coperchio ruotandolo in senso antiorario (vedi figura): è normale che fuori-esca un pò d'acqua;
3. pulire accuratamente l'interno;
4. riavvitare il coperchio;
5. rimontare il pannello assicurandosi, prima di spingerlo verso la macchina, di aver inserito i ganci nelle apposite asole.

Controllare il tubo di alimentazione dell'acqua

Controllare il tubo di alimentazione almeno una volta all'anno. Se presenta screpolature e fessure va sostituito: durante i lavaggi le forti pressioni potrebbero provocare improvvise spaccature.

! Non utilizzare mai tubi già usati.

Come pulire la vaschetta del detersivo

Smontaggio:

Esercitare una leggera pressione sul pulsante sulla parte anteriore del cassetto detersivo e tirarlo verso l'alto (fig. 1, 2).



Fig. 1

Pulizia:

Pulire quindi il cassetto sotto il rubinetto (fig. 3) utilizzando anche un semplice spazzolino da denti e, sfilata la coppia di sifoncini inseriti nella parte superiore degli scomparti 1 e 2 (fig. 4), controllare che gli stessi non siano ostruiti e risciacquarli.

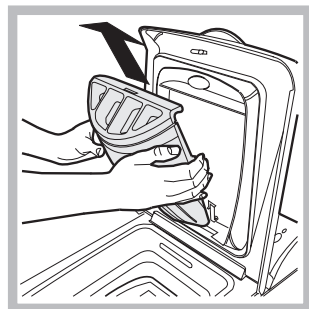


Fig. 2

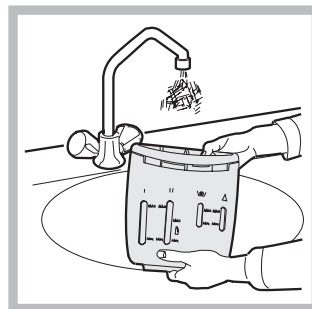


Fig. 3

Rimontaggio:

Non dimenticare di reinserire la coppia di sifoncini negli appositi alloggiamenti e rimettere infine il cassetto nella sua sede agganciandolo (fig. 4, 2, 1).

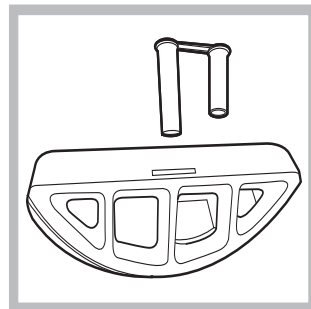


Fig. 4

Anomalie e rimedi

Può accadere che la lavabiancheria non funzioni. Prima di telefonare all'Assistenza (vedi "Assistenza"), controllare che non si tratti di un problema facilmente risolvibile aiutandosi con il seguente elenco.

Anomalie:

La lavabiancheria non si accende.

Il ciclo di lavaggio non inizia.

La lavabiancheria non carica acqua (lampeggia velocemente la spia della prima fase di lavaggio).

La lavabiancheria carica e scarica acqua di continuo.

La lavabiancheria non scarica o non centrifuga.

La lavabiancheria vibra molto durante la centrifuga.

La lavabiancheria perde acqua.

La spia AVVIO/PAUSA (arancione) e le spie delle funzioni lampeggiano velocemente.

Si forma troppa schiuma.

Possibili cause / Soluzione:

- La spina non è inserita nella presa della corrente, o non abbastanza da fare contatto.
- In casa non c'è corrente.

- Lo sportello non è ben chiuso.
- Il tasto ACCENSIONE/SPEGNIMENTO non è stato premuto.
- Il tasto AVVIO/PAUSA non è stato premuto.
- Il rubinetto dell'acqua non è aperto.
- Si è impostato un ritardo sull'ora di avvio (PARTENZA RITARDATA, vedi "Personalizzazioni").

- Il tubo di alimentazione dell'acqua non è collegato al rubinetto.
- Il tubo è piegato.
- Il rubinetto dell'acqua non è aperto.
- In casa manca l'acqua.
- Non c'è sufficiente pressione.
- Il tasto AVVIO/PAUSA non è stato premuto.

- Il tubo di scarico non è installato fra 65 e 100 cm da terra (vedi "Installazione").
- L'estremità del tubo di scarico è immersa nell'acqua (vedi "Installazione").
- Lo scarico a muro non ha lo sfiato d'aria.

Se dopo queste verifiche il problema non si risolve, chiudere il rubinetto dell'acqua, spegnere la lavabiancheria e chiamare l'Assistenza. Se l'abitazione si trova agli ultimi piani di un edificio, è possibile che si verifichino fenomeni di sifonaggio, per cui la lavabiancheria carica e scarica acqua di continuo. Per eliminare l'inconveniente sono disponibili in commercio apposite valvole anti-sifonaggio.

- Il programma non prevede lo scarico: con alcuni programmi occorre avviarlo manualmente.
- È attiva la funzione STIRA FACILE: per completare il programma premere il tasto AVVIO/PAUSA ("Personalizzazioni").
- Il tubo di scarico è piegato (vedi "Installazione").
- La condotta di scarico è ostruita.

- Il cestello, al momento dell'installazione, non è stato sbloccato correttamente (vedi "Installazione").
- La lavabiancheria non è in piano (vedi "Installazione").
- La lavabiancheria è stretta tra mobili e muro (vedi "Installazione").

- Il tubo di alimentazione dell'acqua non è ben avvitato (vedi "Installazione").
- Il cassetto dei detersivi è intasato (per pulirlo vedi "Manutenzione e cura").
- Il tubo di scarico non è fissato bene (vedi "Installazione").

- Spegnere la macchina e togliere la spina dalla presa, attendere circa 1 minuto quindi riaccenderla.
Se l'anomalia persiste, chiamare l'Assistenza.

- Il detersivo non è specifico per lavabiancheria (deve esserci la dicitura "per lavatrice", "a mano e in lavatrice", o simili).
- Il dosaggio è stato eccessivo.

Assistenza

Prima di contattare l'Assistenza:

- Verificare se l'anomalia può essere risolta da soli (vedi "Anomalie e rimedi").
- Riavviare il programma per controllare se l'inconveniente è stato ovviato;
- In caso negativo, contattare il Numero Unico 199.199.199*.

! Non ricorrere mai a tecnici non autorizzati.

Comunicare:

- il tipo di anomalia;
- il modello della macchina (Mod.);
- il numero di serie (S/N).

Queste informazioni si trovano sulla targhetta applicata nella parte posteriore della lavabiancheria.

Assistenza Attiva 7 giorni su 7



In caso di necessità d'intervento chiamare il Numero Unico Nazionale 199.199.199*.

Un operatore sarà a completa disposizione per fissare un appuntamento con il Centro Assistenza Tecnico Autorizzato più vicino al luogo da cui si chiama.

È attivo 7 giorni su 7, sabato e domenica compresi, e non lascia mai inascoltata una richiesta.

* Al costo di 14,25 centesimi di Euro al minuto (iva inclusa) dal Lun. al Ven. dalle 08:00 alle 18:30, il Sab. dalle 08:00 alle 13:00 e di 5,58 centesimi di Euro al minuto (iva inclusa) dal Lun. al Ven. dalle 18:30 alle 08:00, il Sab. dalle 13:00 alle 08:00 e i giorni festivi, per chi chiama da telefono fisso. Per chi chiama da radiomobile le tariffe sono legate al piano tariffario dell'operatore telefonico utilizzato. Le suddette tariffe potrebbero essere soggette a variazione da parte dell'operatore telefonico; per maggiori informazioni consultare il sito www.aristonchannel.com.

FR

Français

ARTXF 149

Sommaire

Installation, 50-51

Déballage et mise à niveau
Raccordements eau et électricité
Premier cycle de lavage
Caractéristiques techniques

Description du lave-linge et démarrage d'un programme, 52-53

Bandeau de commandes
Voyants
Comment ouvrir et fermer le tambour
Démarrage d'un programme

Programmes, 54

Tableau des programmes

Personnalisations, 55

Sélection de la température
Sélection de l'essorage
Fonctions

Produits lessiviels et linge, 56

Tiroir à produits lessiviels
Cycle blanchissage
Triage du linge
Linge ou vêtements particuliers
Système d'équilibrage de la charge

Précautions et conseils, 57

Sécurité générale
Mise au rebut
Economies et respect de l'environnement

Entretien et soin, 58

Coupure de l'arrivée d'eau et du courant
Nettoyage du lave-linge
Entretien du couvercle et du tambour
Nettoyage de la pompe
Contrôle du tuyau d'arrivée de l'eau
Comment nettoyer le tiroir à produits lessiviels

Anomalies et remèdes, 59

Assistance, 60

FR

Installation

FR

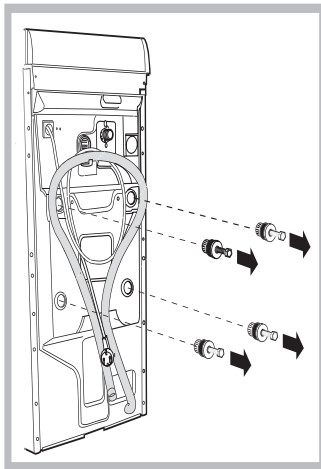
! Conservez ce mode d'emploi pour pouvoir le consulter à tout moment. En cas de vente, de cession ou de déménagement, veillez à ce qu'il suive toujours le lave-linge pour que son nouveau propriétaire soit informé sur son mode de fonctionnement et puisse profiter des conseils correspondants.

! Lisez attentivement les instructions: elles fournissent d'importantes informations sur l'installation, l'utilisation et la sécurité.

Déballage et mise à niveau

Déballage: enlever les 4 vis

1. Déballiez le lave-linge.



2. Contrôlez que le lave-linge n'a pas été endommagé pendant le transport. S'il est abîmé, ne le raccordez pas et contactez votre revendeur.

3. Enlevez les quatre vis de protection pour le transport, le caoutchouc et la cale, placés dans la partie arrière (voir figure).

4. Bouchez les trous à l'aide des bouchons plastique fournis.

5. Conservez bien toutes ces pièces: il faudra les remonter en cas de transport du lave-linge.

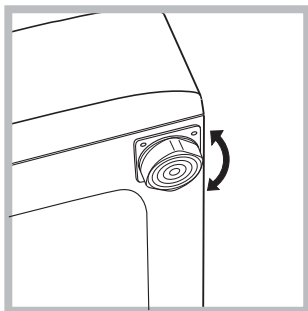
! **Attention:** en cas de réutilisation, les vis plus courtes doivent être montées dessus.

! Les emballages ne sont pas des jouets pour enfants.

Mise à niveau

Votre appareil peut s'avérer bruyant si vous n'avez pas bien réglé ses deux pieds avant.

1. Installez le lave-linge sur un sol plat et rigide, sans l'appuyer contre des murs, des meubles ou autre.

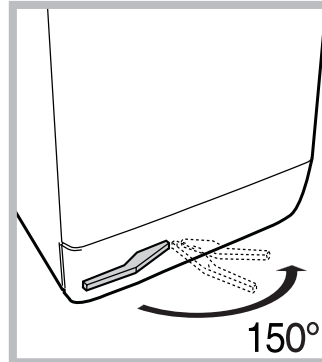


2. Si le sol n'est pas parfaitement horizontal, vissez ou dévissez les petits pieds avant (voir figure) pour niveler l'appareil; son angle d'inclinaison, mesuré sur le plan de travail, ne doit pas dépasser 2°.

Une bonne mise à niveau garantit la stabilité de la

machine et évite qu'il y ait des vibrations, du bruit et des déplacements en cours de fonctionnement. Si la machine est posée sur de la moquette ou un tapis, réglez les petits pieds de manière à ce qu'il y ait suffisamment d'espace pour assurer une bonne ventilation.

Mise en place, déplacements

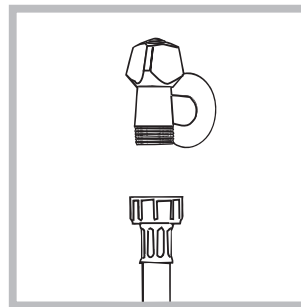


Si votre lave-linge est muni d'un chariot spécial avec roues rétractiles, vous pouvez le déplacer facilement. Pour faire descendre ce chariot et pouvoir ainsi déplacer sans effort votre lave-linge, vous devez tirer le levier situé en bas à gauche, sous la base. Une fois le lave-linge déplacé, remettez-le dans la position initiale. Le lave-linge est

ainsi solidement mis en place. Voir figure (seulement pour les modèles prévues).

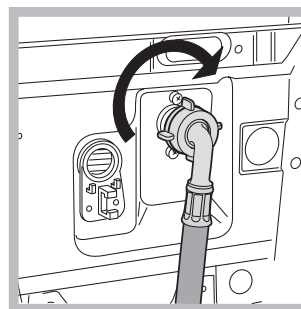
Raccordements hydrauliques et électriques

Raccordement du tuyau d'arrivée de l'eau



1. Reliez le tuyau d'alimentation en le vissant à un robinet d'eau froide à embout fileté 3/4 gaz (voir figure).

Faire couler l'eau jusqu'à ce qu'elle soit limpide et sans impuretés avant de raccorder.



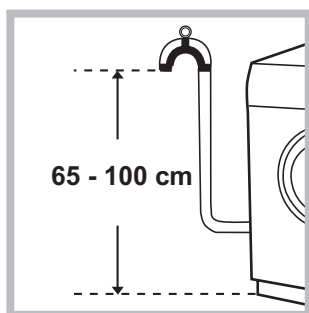
2. Raccordez le tuyau d'alimentation au lave-linge en le vissant à la prise d'eau prévue, dans la partie arrière en haut à droite (voir figure).

3. Faites attention à ce que le tuyau ne soit ni plié ni écrasé.

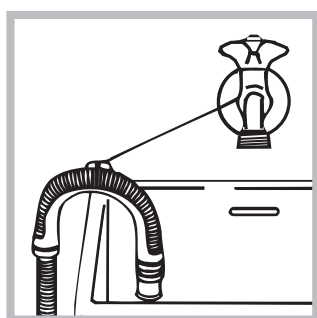
! La pression de l'eau doit être comprise entre les valeurs indiquées dans le tableau des Caractéristiques techniques (voir page ci-contre).

! Si la longueur du tuyau d'alimentation ne suffit pas, adressez-vous à un magasin spécialisé ou à un technicien agréé.

Raccordement du tuyau de vidange



Raccorder le tuyau d'évacuation, sans le plier, à un conduit d'évacuation ou à une évacuation murale placés à une distance du sol comprise entre 65 et 100 cm;



ou bien l'accrocher à un évier ou à une baignoire, dans ce cas, fixer le support en plastique fourni avec l'appareil au robinet (voir figure). L'extrémité libre du tuyau d'évacuation ne doit pas être plongée dans l'eau.

! L'utilisation d'un tuyau de rallonge est absolument déconseillée mais si on ne peut faire autrement, il faut absolument qu'il ait le même diamètre que le tuyau original et sa longueur ne doit pas dépasser 150 cm.

Branchement électrique

Avant de brancher la fiche dans la prise de courant, s'assurer que:

- la prise est bien reliée à la terre et est conforme aux réglementations en vigueur;
- la prise est bien apte à supporter la puissance maximale de l'appareil indiquée dans le tableau des Caractéristiques techniques (voir ci-contre);
- la tension d'alimentation est bien comprise entre les valeurs figurant dans le tableau des Caractéristiques techniques (voir ci-contre);
- la prise est bien compatible avec la fiche du lave-linge. Autrement, remplacer la prise ou la fiche.

! Le lave-linge ne doit pas être installé dehors, même à l'abri, car il est très dangereux de le laisser exposé à la pluie et aux orages.

! Après installation du lave-linge, la prise de courant doit être facilement accessible.

! N'utiliser ni rallonges ni prises multiples.

! Le câble ne doit être ni plié ni trop écrasé.

! Le câble d'alimentation ne doit être remplacé que par des techniciens agréés.

Attention! Nous déclinons toute responsabilité en cas de non-respect des normes énumérées ci-dessus.

Premier cycle de lavage

Avant la première mise en service de l'appareil, effectuer un cycle de lavage avec un produit lessiviel mais sans linge et sélectionner le programme 2.

Caractéristiques techniques

Modèle	ARTXF 149
Dimensions	largeur 40 cm hauteur 85 cm profondeur 60 cm
Capacité	de 1 à 6 kg
Raccordements électriques	Voir la plaque signalétique appliquée sur la machine
Raccordements hydrauliques	pression maximale 1 MPa (10 bar) pression minimale 0,05 MPa (0,5 bar) capacité du tambour 42 litres
Vitesse d'essorage	jusqu'à 1400 tours minute
Programmes de contrôle selon les directives 1061/2010 et 1015/2010.	programme 7; température 60°C et 40°C.



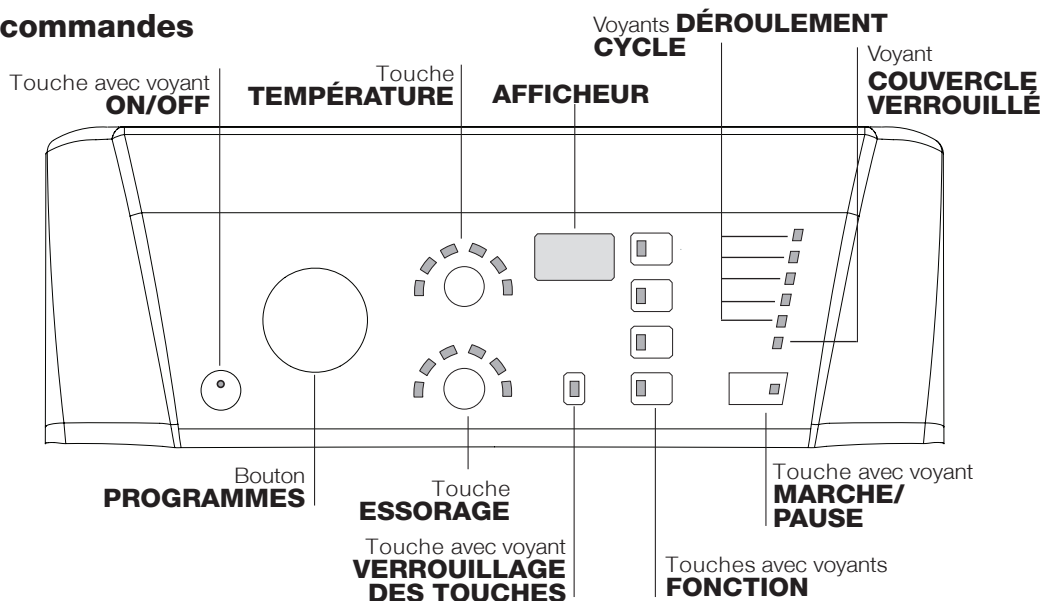
Cet appareil est conforme aux Directives Communautaires suivantes:

- 2004/108/CE (Compatibilité électromagnétique)
- 2006/95/CE (Basse Tension)
- 2002/96/CE

Description du lave-linge et démarrage d'un programme

FR

Bandeau de commandes



Touche avec voyant **ON/OFF**: pour allumer ou éteindre le lave-linge. Le témoin allumé indique que l'appareil est sous tension.

Bouton **PROGRAMMES**: pour sélectionner les programmes. Pendant le programme, le bouton ne tournera pas.

Touche **ESSORAGE**: pour sélectionner l'essorage ou le supprimer (voir "Personnalisations").

Touche **TEMPÉRATURE**: pour sélectionner la température ou un lavage à froid (voir "Personnalisations").

AFFICHEUR: pour afficher le temps restant du cycle de lavage sélectionné et, en cas de sélection d'un départ différé, le temps restant avant le démarrage du lavage.

Touche et voyant **VERROUILLAGE DES TOUCHES**: pour activer ou désactiver le verrouillage du bandeau de commandes.

Touches avec voyants **FONCTION**: pour sélectionner les fonctions disponibles. Le voyant correspondant à la fonction sélectionnée restera allumé.

Voyants **DÉROULEMENT CYCLE**: pour suivre le stade d'avancement du programme de lavage. Le voyant allumé indique la phase de lavage en cours.

Voyant **HUBLOT VERROUILLÉ**: indique si la porte est verrouillée (voir page ci-contre).

Touche avec voyant **MARCHÉ/PAUSE**: pour démarrer les programmes ou les interrompre momentanément.
N.B.: pour effectuer une pause du lavage en cours, appuyer sur cette touche, le voyant correspondant se mettra à clignoter en orange tandis que celui de la phase en cours restera allumé fixe. Si le voyant HUBLOT VERROUILLÉ \Rightarrow est éteint,

on peut ouvrir la porte.

Pour faire redémarrer le lavage exactement de l'endroit où il a été interrompu, appuyer une nouvelle fois sur la touche.

Stand-by

Ce lave-linge, conformément aux nouvelles normes en vigueur dans le domaine de l'économie d'énergie, est équipé d'un système d'extinction automatique (veille) activé après environ 30 minutes d'inutilisation. Appuyez brièvement sur la touche ON/OFF et attendez que la machine soit réactivée.

Consommation en off-mode : 1 W

Consommation en Left-on : 1 W

Voyants

Les voyants fournissent des informations importantes.

Voilà ce qu'ils signalent:

Voyants phase en cours

Au fur et à mesure qu'on tourne le bouton des PROGRAMMES, les voyants s'allument pour indiquer les phases que l'appareil effectue selon le programme choisi. Une fois que le cycle de lavage sélectionné a démarré, les voyants s'allument progressivement pour indiquer son stade d'avancement:

Lavage	
Rinçage	
Essorage	
Vidange	
Fin de Lavage	END

Touches fonction et voyants correspondants

La sélection d'une fonction entraîne l'allumage du voyant correspondant. Si la fonction sélectionnée est incompatible avec le programme sélectionné, le voyant correspondant se met à clignoter, un signal sonore retentit et la fonction n'est pas activée. En cas de sélection d'une fonction incompatible avec une autre précédemment sélectionnée, la seule à être activée sera celle choisie en dernier.

Voyants température

La sélection d'une température entraîne l'éclairage du voyant correspondant.



Voyants essorage

La sélection d'un essorage entraîne l'éclairage du voyant correspondant.



Voyant verrouillage des touches

Pour "activer" le verrouillage du bandeau de commandes, garder la touche enfoncée pendant 2 secondes environ. Le voyant allumé indique que le tableau de bord est verrouillé. Ceci permet d'éviter toute modification involontaire des programmes, surtout s'il y a des enfants à la maison.

Pour "désactiver" le verrouillage du bandeau de commandes, garder la touche enfoncée pendant 2 secondes environ.

Voyant hublot verrouillé

Le voyant allumé indique que le hublot est verrouillé pour empêcher toute ouverture accidentelle. Pour éviter d'endommager l'appareil, attendre que le voyant cesse de clignoter avant d'ouvrir la porte.

N.B: si la fonction DÉPART DIFFÉRÉ est activée, le hublot ne s'ouvre pas. Pour l'ouvrir il faut appuyer sur la touche MARCHE/PAUSE qui met l'appareil en pause.

! Un clignotement rapide du voyant MARCHE/PAUSE (orange) simultané à celui des fonctions signale une anomalie (voir "Anomalies et remèdes").

Comment ouvrir et fermer le tambour

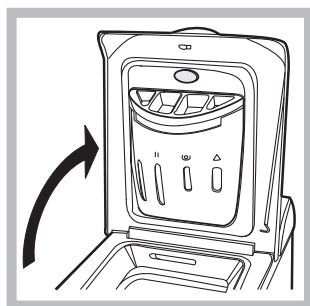


Fig. 1

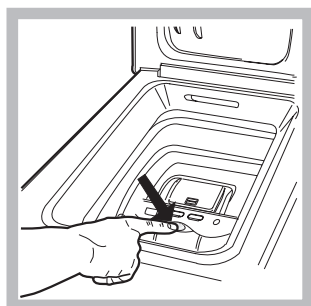


Fig. 2

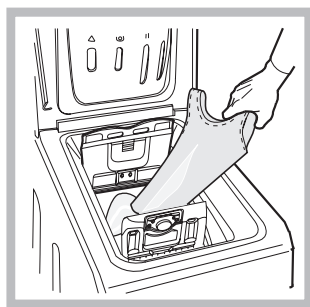


Fig. 3

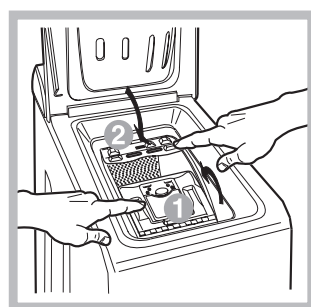


Fig. 4

A) Ouvrez le couvercle (Fig. 1):

Soulevez le Couvercle externe et ouvrez le complètement;

B) Ouverture douce du tambour (Fig. 2):

Appuyez d'un doigt sur le bouton comme illustré et le tambour s'ouvrira délicatement.

C) Introduisez le linge (Fig. 3).

D) Fermer (Fig. 4):

- refermez bien le tambour en baissant d'abord la porte antérieure et posez ensuite la porte postérieure;
- faites attention à parfaitement positionner les crochets de la porte antérieure dans leur siège dans la porte postérieure;
- vous entendrez un "clac" qui confirmera la bonne fixation; appuyez alors légèrement vers le bas sur les deux portes qui ne doivent pas se décrocher;
- fermez enfin le couvercle externe.

E) Arrêt final du tambour (Fig. 2):




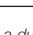
À la fin du lavage le tambour se rangera avec les portes en haut prêtes pour une facile ouverture.

Démarrage d'un programme

1. Allumer le lave-linge en appuyant sur la touche ON/OFF. Tous les voyants s'allumeront pendant quelques secondes, ne resteront ensuite allumés que les voyants correspondant aux sélections du programme en cours et le voyant MARCHE/PAUSE se mettra à clignoter.
2. Charger le linge et fermer les portes et le couvercle.
3. Sélectionner à l'aide du bouton PROGRAMMES le programme désiré.
4. Sélectionner la température de lavage (voir "Personnalisations").
5. Sélectionner la vitesse d'essorage (voir "Personnalisations").
6. Verser les produits lessiviels et les additifs (voir "Produits lessiviels et linge").
7. Sélectionner les fonctions désirées.
8. Appuyer sur la touche MARCHE/PAUSE pour démarrer le programme, le voyant correspondant vert restera allumé en fixe. Pour annuler le cycle sélectionné, appuyer sur la touche MARCHE/PAUSE pour placer l'appareil en pause et choisir un nouveau cycle.
9. A la fin du programme, le voyant END s'allume. Le voyant COUVERCLE VERROUILLÉ s'éteint pour signaler que le couvercle peut être ouvert. Sortir le linge et laisser le couvercle entrouvert pour faire sécher le tambour. Eteindre le lave-linge en appuyant sur la touche MARCHE/ARRÊT.

Programmes

Tableau des programmes

Programmes	Description du Programme	Temp. maxi. (°C)	Vitesse maxi (tours/minute)	Produits lessiviels				Charge maxi (Kg)	Humidité résiduelle %	Consommation d'énergie kWh	Eau totale lt	Durée cycle
				Pré-lavage	Javel	Lavage	Assouplissant					
Programmes Quotidien												
1	Coton Pré-lavage 90°C: blancs extrêmement sales.	90°	1400	●	-	●	●	6	53	1,92	67	160
2	Coton: blancs et couleurs résistantes très sales.	60°	1400	-	●	●	●	6	-	-	-	135
3	Coton (3): blancs peu sales et couleurs délicates.	40°	1400	-	●	●	●	6	53	0,65	54	90
4	Synthétique: couleurs résistantes très sales.	60°	800	-	-	●	●	2,5	44	0,85	39	105
4	Synthétique (4): couleurs résistantes peu sales.	40°	800	-	-	●	●	2,5	44	0,53	39	95
5	MIX 30': pour rafraîchir rapidement du linge peu sale (ne convient pas pour la laine, la soie et le linge à laver à la main).	30°	800	-	-	●	●	3	71	0,25	33	30
6	MIX 15': pour rafraîchir rapidement du linge peu sale (ne convient pas pour la laine, la soie et le linge à laver à la main).	30°	800	-	-	●	●	1,5	71	0,08	29	15
Programmes Spécial												
7	Anti-bactérien 90°C: blancs extrêmement sales.	90°	1400	-	●	●	●	6	-	-	-	180
7	Anti-bactérien 90°C (1-2): blancs et couleurs résistantes très sales.	60°	1400	-	-	●	●	6	53	1,042	51	165
7	Anti-bactérien 90°C (2): blancs et couleurs résistantes très sales.	40°	1400	-	-	●	●	6	53	0,88	61	160
8	Bonne Nuit: couleurs délicates peu sales.	40°	800	-	-	●	●	4	-	-	-	280
9	Bébé: couleurs délicates très sales.	40°	800	-	-	●	●	2	-	-	-	120
10	Chemises	40°	600	-	-	●	●	2	-	-	-	80
11	Soie/Voilages: pour linge en soie, viscose, lingerie.	30°	0	-	-	●	●	1	-	-	-	55
12	Laine: pour laine, cachemire, etc.	40°	800	-	-	●	●	1	-	-	-	65
Cycle												
	Rinçage	-	1400	-	●	-	●	6	-	-	-	36
	Essorage	-	1400	-	-	-	-	6	-	-	-	16
	Essorage délicat	-	800	-	-	-	-	2,5	-	-	-	12
	Vidange	-	0	-	-	-	-	6	-	-	-	2

La durée du cycle indiquée sur l'écran ou dans la notice représente une estimation calculée dans des conditions standard. Le temps effectif peut varier en fonction de nombreux facteurs tels que : température et pression de l'eau en entrée, température ambiante, quantité de lessive, quantité et type de charge, équilibrage de la charge, options supplémentaires sélectionnées.

Pour tous les instituts qui effectuent ces tests :

1) **Programme de contrôle selon la directive 1061/2010:** sélectionner le programme 7 et une température de 60°C et 40°C.

Ce cycle convient au lavage d'une charge de coton normalement sale et c'est le plus performant en termes de consommation d'eau et d'énergie, l'utiliser pour du linge lavable à 60°C et 40°C. La température effective de lavage peut différer de la température indiquée.

2) **Programme coton long:** sélectionner le programme 7 et une température de 40°C.

3) **Programme coton court:** sélectionner le programme 3 et une température de 40°C.

4) **Programme synthétique long:** sélectionner le programme 4 et une température de 40°C.

Programmes spéciaux

Anti-bactérien (programme 7). Un programme hautes températures qui prévoit l'utilisation de produits javelés à des températures supérieures à 60°C. Pour blanchir, verser le produit javelé, les lessives et les additifs dans les compartiments correspondants (voir paragraphe "Tiroir à produits lessiviels").

Bonne nuit (programme 8). C'est un cycle silencieux qui permet de faire fonctionner le lave-linge la nuit quand le tarif d'électricité est plus bas. Ce programme est spécialement conçu pour les synthétiques et le coton. A la fin du cycle l'appareil s'arrête, cuve pleine. Pour procéder à l'essorage et à la vidange, appuyer sur la touche MARCHE/PAUSE, à défaut, l'appareil procédera automatiquement au bout de 8 heures à l'essorage et à la vidange de l'eau.

Bébé (programme 9). Programme spécial, idéal pour le lavage des vêtements d'enfants souvent très sales, il élimine toute trace de lessive du linge pour protéger leur peau délicate et éviter tout risque d'allergie. Spécialement conçu pour diminuer la charge bactérienne, ce cycle utilise une plus grande quantité d'eau et optimise l'effet des additifs désinfectants spécifiques ajoutés à la lessive. En fin de lavage, l'appareil fait tourner le tambour lentement pour éviter de froisser le linge. Pour compléter le cycle appuyer sur la touche MARCHE/PAUSE.

Mix 30' (programme 5) spécialement conçu pour laver du linge peu sale en un rien de temps: il ne dure que 30 minutes et permet ainsi de faire des économies d'énergie et de temps. La sélection de ce programme (5 à 30°C) permet de laver ensemble des textiles différents (sauf laine et soie) en ne dépassant pas 3 kg de charge.

Mix 15' (programme 6) spécialement conçu pour laver du linge peu sale en un rien de temps: il ne dure que 15 minutes et permet ainsi de faire des économies d'énergie et de temps. La sélection de ce programme (6 à 30°C) permet de laver ensemble des textiles différents (sauf laine et soie) en ne dépassant pas 1,5 kg de charge.

Personnalisations

Sélection de la température

Appuyer sur la touche TEMPÉRATURE pour sélectionner la température de lavage (voir *Tableau des programmes*).

La température peut être abaissée jusqu'au lavage à froid (❄️).

La machine interdira automatiquement toute sélection d'une température supérieure à la température maximale prévue pour chaque programme.

Sélection de l'essorage

Appuyer sur la touche ESSORAGE pour sélectionner la vitesse d'essorage du programme sélectionné.

Les vitesses maximales prévues pour les programmes sont:

Programmes	Vitesse maximale
Coton	1400 tours/minute
Synthétiques	800 tours/minute
Laine	800 tours/minute
Soie	vidange seule

La vitesse d'essorage peut être réduite ou l'essorage supprimé en sélectionnant le symbole ⚙️.

La machine interdira automatiquement tout essorage à une vitesse supérieure à la vitesse maximale prévue pour chaque programme.

Fonctions

Les différentes fonctions de lavage prévues par le lave-linge permettent d'obtenir la propreté et le blanc souhaités.

Pour activer les fonctions:

1. appuyer sur la touche correspondant à la fonction désirée;
2. l'allumage du voyant correspondant signale que la fonction est activée.

Remarque: Le clignotement rapide du voyant signale que la fonction correspondante n'est pas disponible pour le programme sélectionné.

Départ différé

Pour programmer un départ différé du programme sélectionné, appuyer plusieurs fois de suite sur la touche jusqu'à ce que le retard désiré (de 1 à 24 h) soit affiché.

Pour désactiver cette fonction, appuyer sur la touche jusqu'à affichage du message **OFF**.

N.B.: Après avoir appuyé sur la touche MARCHE/PAUSE, le retard programmé ne peut être modifié que pour le diminuer.

! Il est activé avec tous les programmes.

Intensif

Grâce à l'utilisation d'une plus grande quantité d'eau au cours de la phase initiale du cycle et à l'emploi de davantage de temps, cette fonction permet d'obtenir un lavage très performant.

! Cette option n'est pas activable avec les programmes 5, 6, 7, 11, 12, , , .

Rinçage plus

La sélection de cette fonction permet d'augmenter l'efficacité du rinçage et d'éliminer toute trace de lessive. Elle est très utile en cas de peaux particulièrement sensibles.

! Cette option n'est pas activable avec les programmes 5, 6, , , .

Repassage facile

En cas de sélection de cette fonction, le lavage et l'essorage seront dûment modifiés pour réduire le froissage.

Pour le programme 11 l'appareil arrive au bout du cycle en laissant le linge tremper, le voyant de la fonction REPASSAGE FACILE et celui de MARCHE/PAUSE se mettent à clignoter (orange), la phase RINÇAGE reste allumée en fixe. Pour vidanger l'eau et pouvoir sortir le linge, il faut appuyer sur la touche MARCHE/PAUSE ou sur la touche REPASSAGE FACILE.

! Cette option n'est pas activable avec les programmes 5, 6, 7, 8, 9, 12, , , .

Produits lessiviels et linge

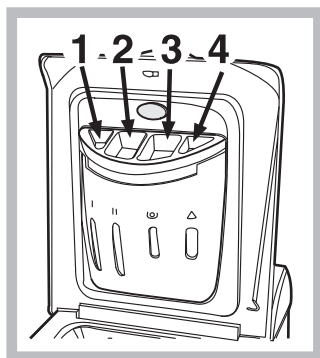
FR

Tiroir à produits lessiviels

Un bon résultat de lavage dépend aussi d'un bon dosage de produit lessiviel: un excès de lessive ne lave pas mieux, il incruste l'intérieur de votre lave-linge et pollue l'environnement.

! Utiliser des lessives en poudre pour du linge en coton blanc et en cas de pré-lavage et de lavages à une température supérieure à 60°C.

! Respecter les indications figurant sur le paquet de lessive.



Sortez le tiroir à produits lessiviels et versez la lessive ou l'additif comme suit.

bac 1: Lessive pré-lavage (en poudre)

bac 2: Lessive lavage (en poudre ou liquide)

En cas d'utilisation de lessive liquide, il est conseillé d'introduire la boule doseuse directement dans la cuve.

bac 3: Additifs (adoucissant, etc.)

L'assouplissant ne doit pas déborder de la grille (max). Le lave-linge prélève automatiquement l'assouplissant lors du dernier rinçage.

A la fin du programme de lavage il reste dans le bac 3 un résidu d'eau. Cette eau sert au prélèvement des assouplissants très denses ou à dissoudre les assouplissants concentrés. Si dans le bac 3 il reste un peu plus d'eau que d'habitude, cela signifie que le dispositif de vidange est bouché et empêche l'effet aspirant du dispositif.

bac 4: Eau de javel

Cycle blanchissage

Le blanchissage n'est possible qu'avec les programmes **2, 3, 7**,

Verser le produit javéliné dans le bac **4**, la lessive et l'assouplissant dans les bacs correspondants, puis sélectionner un des programmes sus-indiqués.

Conseillé en cas de linge en coton très sale.

Triage du linge

- Trier correctement le linge d'après:
 - le type de textile / le symbole sur l'étiquette.
 - les couleurs: séparer le linge coloré du blanc.

- Vider les poches et contrôler les boutons.
- Ne pas dépasser les valeurs indiquées correspondant au poids de linge sec :
 - Textiles résistants: 6 kg max.
 - Textiles synthétiques: 2,5 kg max.
 - Textiles délicats: 2 kg max.
 - Laine: 1 kg max.

Combien pèse le linge ?

- 1 drap 400-500 g
- 1 taie d'oreiller 150-200 g
- 1 nappe 400-500 g
- 1 peignoir 900-1200 g
- 1 serviette éponge 150-250 g

Linge ou vêtements particuliers

Chemises: sélectionner le programme **10** approprié au lavage de chemises de couleurs et textiles différents. Il en prend le plus grand soin en réduisant le froissage.

Soie: sélectionner le programme de lavage spécial **11** pour vêtements en soie. Il est conseillé d'utiliser une lessive spéciale pour linge délicat.

Rideaux: pliez-les bien et glissez-les dans une taie d'oreiller ou dans un sac genre filet. Sélectionner le programme **11**.

Laine: le cycle de lavage « Laine » de ce lave-linge Hotpoint-Ariston a été testé et approuvé par la société Woolmark Company pour le lavage d'articles en laine classés comme « lavables à la main », à condition que le lavage soit effectué conformément aux instructions indiquées sur l'étiquette du vêtement et aux indications fournies par le fabricant de l'électroménager. Hotpoint-Ariston est la première marque de lave-linge à avoir obtenu la certification Woolmark Apparel Care - Platinum délivrée par la société Woolmark Company pour ses performances de lavage et pour sa consommation d'eau et d'énergie.



Système d'équilibrage de la charge

Avant tout essorage, pour éviter toute vibration excessive et répartir le linge de façon uniforme, le lave-linge fait tourner le tambour à une vitesse légèrement supérieure à la vitesse de lavage. Si au bout de plusieurs tentatives, la charge n'est toujours pas correctement équilibrée, l'appareil procède à un essorage à une vitesse inférieure à la vitesse normalement prévue. En cas de déséquilibre excessif, le lave-linge préfère procéder à la répartition du linge plutôt qu'à son essorage. Pour une meilleure répartition de la charge et un bon équilibrage, nous conseillons de mélanger de grandes et petites pièces de linge.

Précautions et conseils

! Ce lave-linge a été conçu et fabriqué conformément aux normes internationales de sécurité. Ces consignes sont fournies pour des raisons de sécurité, il faut les lire attentivement.

Sécurité générale

- Cet appareil est conçu pour un usage domestique.
- Cet appareil n'est pas destiné à être utilisé par des personnes (enfants compris) dont les capacités physiques, sensorielles ou mentales sont réduites ou qui ne disposent pas des connaissances ou de l'expérience nécessaires, à moins qu'elles n'aient été formées et encadrées pour l'utilisation de cet appareil par une personne responsable de leur sécurité. Surveiller les enfants pour s'assurer qu'ils ne jouent pas avec l'appareil.
- Ce lave-linge ne doit être utilisé que par des adultes en suivant les instructions reportées dans ce mode d'emploi.
- Ne jamais toucher l'appareil si l'on est pieds nus et si les mains sont mouillées ou humides.
- Ne jamais tirer sur le câble pour débrancher la fiche de la prise de courant.
- Ne pas toucher à l'eau de vidange, elle peut atteindre des températures très élevées.
- Ne pas forcer pour ouvrir le couvercle: le verrouillage de sécurité qui protège contre les ouvertures accidentelles pourrait s'endommager.
- En cas de panne, éviter à tout prix d'accéder aux mécanismes internes pour tenter une réparation.
- Veiller à ce que les enfants ne s'approchent pas de l'appareil pendant son fonctionnement.
- Deux ou trois personnes sont nécessaires pour déplacer l'appareil avec toutes les précautions nécessaires. Ne jamais le déplacer tout seul car il est très lourd.
- Avant d'introduire le linge, s'assurer que le tambour est bien vide.

Mise au rebut

- Mise au rebut du matériel d'emballage: se conformer aux réglementations locales de manière à ce que les emballages puissent être recyclés.
- La Directive Européenne 2002/96/EC sur les Déchets des Equipements Electriques et Electroniques, exige que les appareils ménagers usagés ne soient pas jetés dans le flux normal des déchets municipaux. Les appareils usagés doivent être collectés séparément afin d'optimiser le taux de récupération et le recyclage des matériaux qui les composent et réduire l'impact sur la santé humaine et l'environnement.
Le symbole de la "poubelle barrée" est apposée sur tous les produits pour rappeler les obligations de collecte séparée. Les consommateurs devront contacter les autorités locales ou leur revendeur concernant la démarche

à suivre pour l'enlèvement de leur vieil appareil.

Economies et respect de l'environnement

Economie de produit lessiviel, d'eau, d'électricité et de temps

- Pour ne pas gaspiller de ressources, utilisez le lave-linge à sa charge maximale. Mieux vaut une pleine charge que deux demies, vous économiserez jusqu'à 50% d'électricité.
- Un pré-lavage n'est nécessaire qu'en cas de linge très sale. S'en passer permet de faire des économies de produit lessiviel, de temps, d'eau et entre 5 et 15% d'électricité.
- Si vous traitez les taches avec un produit détachant ou si vous les laissez tremper avant de les laver, vous éviterez d'avoir à laver à de hautes températures. Un programme à 60°C au lieu de 90°C ou un à 40°C au lieu de 60°C, fait économiser jusqu'à 50% d'électricité.
- Bien doser la quantité de produit lessiviel en fonction de la dureté de l'eau, du degré de salissure et de la quantité de linge à laver évite les gaspillages et protège l'environnement: bien que biodégradables, les produits lessiviels contiennent des éléments qui altèrent l'équilibre de la nature. Evitez le plus possible l'utilisation d'assouplissant.
- Effectuer ses lavages tard dans l'après-midi et jusqu'aux premières heures du matin permet de réduire la charge d'absorption des opérateurs énergétiques. L'option "Départ différé" aide à mieux organiser les lavages en ce sens.
- Si le linge doit être séché dans un sèche-linge, sélectionnez une haute vitesse d'essorage. Du linge qui contient moins d'eau fait économiser du temps et de l'électricité dans le programme de séchage.

Entretien et soin

FR

Coupure de l'arrivée d'eau et de courant

- Fermez le robinet de l'eau après chaque lavage: vous limiterez ainsi l'usure de l'installation hydraulique de votre lave-linge et éliminerez le danger de fuites.
- Débranchez la fiche de la prise de courant quand vous nettoyez votre lave-linge et pendant tous vos travaux d'entretien.

Nettoyage du lave-linge

Pour nettoyer l'extérieur et les parties en caoutchouc, utilisez un chiffon imbibé d'eau tiède et de savon. N'utilisez ni solvants ni abrasifs.

Entretien du couvercle et du tambour

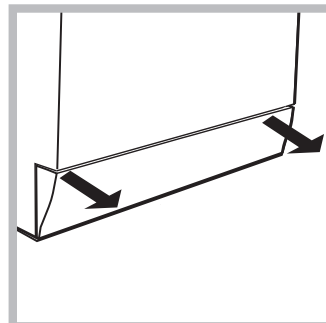
- Quand vous n'utilisez pas votre lave-linge, laissez toujours le couvercle entrouvert pour éviter la formation de mauvaises odeurs.

Nettoyage de la pompe

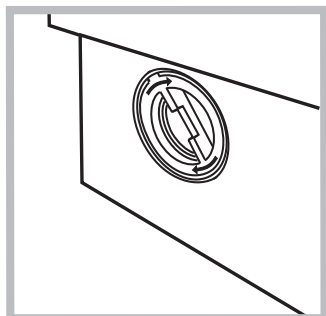
Le lave-linge est équipé d'une pompe autonettoyante qui n'exige aucune opération d'entretien. Il peut toutefois arriver que de menus objets (pièces de monnaie, boutons) tombent dans la préchambre qui protège la pompe, placée en bas de cette dernière.

! Contrôlez que le cycle de lavage est bien terminé et débranchez la fiche.

Pour récupérer les objets qui pourraient être tombés dans la préchambre :



1. déposez la base à l'avant de votre lave-linge en la saisissant sur les côtés et en la tirant des deux mains (voir figure);
2. dévissez le couvercle en le faisant tourner dans le sens inverse des aiguilles d'une montre (voir figure): il est normal qu'un peu d'eau s'écoule;



3. nettoyez soigneusement à l'intérieur;
4. revissez le couvercle;
5. remontez le panneau en veillant à bien enfiler les crochets dans les fentes prévues avant de le pousser contre la machine.

Contrôle du tuyau d'arrivée de l'eau

Contrôlez le tuyau d'alimentation au moins une fois par an. Remplacez-le dès que vous remarquez des craquèlements et des fissures: les fortes pressions subies pendant le lavage pourraient provoquer des cassures.

! N'utilisez jamais de tuyaux usés.

Comment nettoyer le tiroir à produits lessiviels

Démontage:

Appuyez légèrement sur la grosse touche située sur la partie antérieure du tiroir à produits lessiviels et tirez vers le haut (fig. 1, 2).

Nettoyage:

Nettoyez le tiroir sous le robinet (fig. 3) à l'aide par exemple d'une vieille brosse à dents; tirez sur les deux petits siphons placés dans la partie supérieure des bacs 1 et 2 (fig. 4), contrôlez qu'ils ne soient pas bouchés et rincez-les.

Remontage:

N'oubliez pas de remplacer les deux petits siphons dans leurs emplacements spécifiques et remettez enfin le tiroir dans son siège en le fixant (fig. 4, 2, 1).



Fig. 1

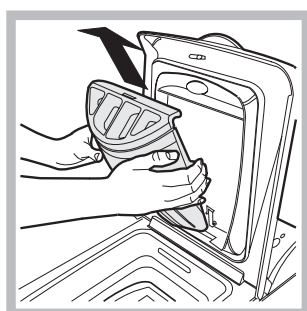


Fig. 2

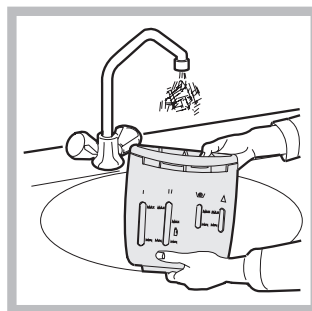


Fig. 3

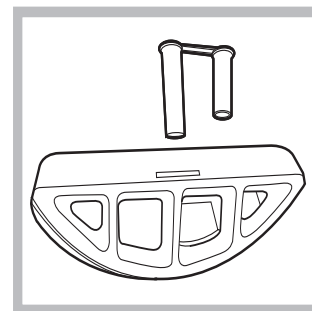


Fig. 4

Anomalies et remèdes

Il peut arriver que le lave-linge ne fonctionne pas bien. Avant d'appeler le Service de dépannage (voir "Assistance"), contrôler s'il ne s'agit pas par hasard d'un problème facile à résoudre à l'aide de la liste suivante.

Anomalies:

Causes / Solutions possibles:

Le lave-linge ne s'allume pas.

- La fiche n'est pas branchée dans la prise de courant ou mal branchée.
- Il y a une panne de courant.

Le cycle de lavage ne démarre pas.

- Le couvercle n'est pas bien fermé (le voyant Couvercle Verrouillé clignote).
- La touche MARCHE/ARRÊT n'a pas été enfoncée.
- La touche MARCHE/PAUSE n'a pas été enfoncée.
- Le robinet de l'eau n'est pas ouvert.
- Un départ différé a été sélectionné (voir "Personnalisations").

Il n'y a pas d'arrivée d'eau (le voyant de la première phase de lavage clignote rapidement).

- Le tuyau d'arrivée de l'eau n'est pas raccordé au robinet.
- Le tuyau est plié.
- Le robinet de l'eau n'est pas ouvert.
- Il y a une coupure d'eau.
- La pression n'est pas suffisante.
- La touche MARCHE/PAUSE n'a pas été enfoncée.

Le lave-linge prend l'eau et vidange continuellement.

- Le tuyau de vidange n'est pas installé à une distance du sol comprise entre 65 et 100 cm (voir "Installation").
- L'extrémité du tuyau de vidange est plongée dans l'eau (voir "Installation").
- L'évacuation murale n'a pas d'évent.

Si après ces vérifications, le problème persiste, fermer le robinet de l'eau, éteindre la machine et appeler le service Assistance. Si l'appartement est situé en étage dans un immeuble, il peut y avoir des phénomènes de siphonnage qui font que le lave-linge prend et évacue l'eau continuellement. Pour supprimer cet inconvénient, on trouve dans le commerce des soupapes spéciales anti-siphonnage.

Le lave-linge ne vidange pas et n'essore pas.

- Le programme ne prévoit pas de vidange: pour certains programmes, il faut la faire partir manuellement.
- La fonction REPASSAGE FACILE est activée: pour compléter le programme, appuyer sur la touche MARCHE/PAUSE ("Personnalisations").
- Le tuyau de vidange est plié (voir "Installation").
- La conduite d'évacuation est bouchée.

Le lave-linge vibre beaucoup pendant l'essorage.

- Le tambour n'a pas été débloqué comme il faut lors de l'installation du lave-linge (voir "Installation").
- Le lave-linge n'est pas posé à plat (voir "Installation").
- Le lave-linge est coincé entre des meubles et le mur (voir "Installation").

Le lave-linge a des fuites.

- Le tuyau d'arrivée de l'eau n'est pas bien vissé (voir "Installation").
- Le tiroir à produits lessiviels est bouché (pour le nettoyer voir "Entretien et soin").
- Le tuyau de vidange n'est pas bien fixé (voir "Installation").

Le voyant MARCHE/PAUSE (orange) ainsi que les voyants des fonctions clignotent rapidement.

- Eteindre l'appareil et débrancher la fiche de la prise de courant, attendre 1 minute environ avant de rallumer.
Si l'anomalie persiste, appeler le service d'assistance.

Il y a un excès de mousse.

- Le produit de lavage utilisé n'est pas une lessive spéciale machine (il faut qu'il y ait l'inscription "pour lave-linge", "main et machine", ou autre semblable).
- La quantité utilisée est excessive.

Avant d'appeler le service après-vente:

- Vérifier si on ne peut pas résoudre l'anomalie par ses propres moyens (voir "*Anomalies et Remèdes*");
- Remettre le programme en marche pour contrôler si l'inconvénient a disparu;
- Autrement, contacter le Centre d'Assistance technique agréé au numéro de téléphone indiqué sur le certificat de garantie.

! Ne jamais s'adresser à des techniciens non agréés.

Communiquer:

- le type de panne;
- le modèle de l'appareil (Mod.);
- son numéro de série (S/N).

Vous trouverez tous ces renseignements sur la plaquette signalétique située sur le panneau arrière de votre lave-linge.

Consultation à tout moment

Pour toute demande concernant nos produits, n'hésitez pas à contacter notre Service Consommateurs **0.825.05.44.44**.