

GB

English,1

CIS

РУССКИЙ, 13

ARTXD 109

Contents

Installation, 2-3

Unpacking and levelling
Connecting the electricity and water supplies
The first wash cycle
Technical data

Description of the washing machine, 4-5

Control panel
Display
How to open and shut the drum

Running a wash cycle, 6

Load balancing system

Wash cycles and functions, 7

Table of wash cycles
Wash functions

Detergents and laundry, 8

Detergent dispenser drawer
Preparing the laundry
Special wash cycles

Precautions and tips, 9

General safety
Disposal
Saving energy and respecting the environment

Care and maintenance, 10

Cutting off the water or electricity supply
Cleaning your appliance
Caring for your appliance door and drum
Cleaning the pump
Checking the water inlet hose
How to clean the detergent dispenser

Troubleshooting, 11

Service, 12

Installation

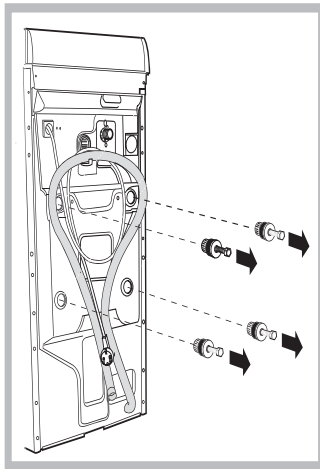
GB

! Keep this instruction manual in a safe place for future reference. Should the appliance be sold, transferred or moved, make sure the instruction manual accompanies the washing machine to inform the new owner as to its operation and features.

! Read these instructions carefully: they contain vital information on installation, use and safety.

Unpacking and levelling

Unpacking



1. Unpack the washing machine.
2. Check whether the washing machine has been damaged during transport. If this is the case, do not install it and contact your retailer.
3. Remove the four protective screws and the rubber washer with the respective spacer, situated on the rear of the appliance (see figure).

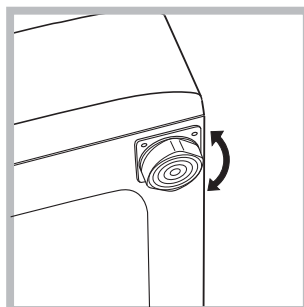
4. Seal the gaps using the plastic plugs provided.
5. Keep all the parts: you will need them again if the washing machine needs to be moved to another location.

Warning: should the screws be re-used, make sure you fasten the shorter ones at the top.

! Packaging materials are not children's toys.

Levelling

Your machine may make a considerable amount of noise if the two front feet have not been adjusted correctly.

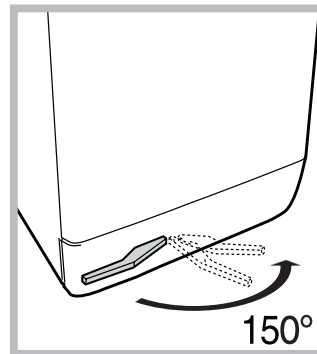


1. Install the washing machine on a flat sturdy floor, without resting it up against walls, furniture cabinets or other.
2. If the floor is not perfectly level, compensate for any unevenness by tightening or loosening

the adjustable front feet (see figure); the angle of inclination, measured according to the worktop, must not exceed 2°.

Levelling your appliance correctly will provide it with stability and avoid any vibrations, noise and shifting during operation. If it is placed on a fitted or loose carpet, adjust the feet in such a way as to allow enough room for ventilation beneath the washing machine.

Putting your appliance in place and moving it.

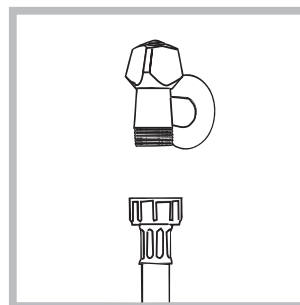


If your washing machine is equipped with a special set of retractable wheels you can easily move it. To lower the wheels and thus move the appliance effortlessly, just pull the lever, situated on the left-hand side beneath the base. Once the

appliance is in the required position, put the lever back in place. The washing machine is now firmly in place (see figure).

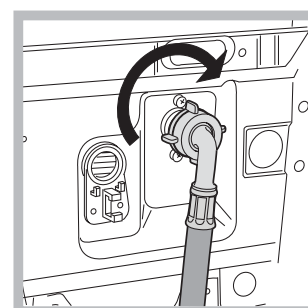
Electric and water connections

Connecting the water inlet hose



1. Connect the supply pipe by screwing it to a cold water tap using a 3/4 gas threaded connection (see figure).

Before performing the connection, allow the water to run freely until it is perfectly clear.



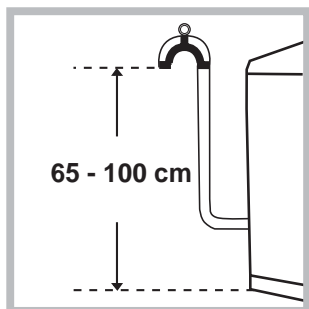
2. Connect the other end of the water inlet hose to the washing machine, screwing it onto the appliance's cold water inlet, situated on the top right-hand side on the rear of the appliance (see figure).

3. Make sure there are no kinks or bends in the hose.

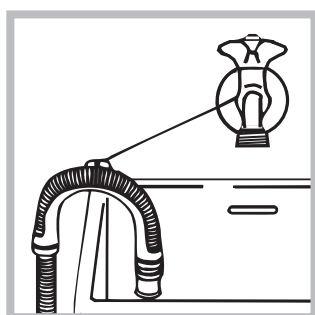
! The water pressure at the tap must be within the values indicated in the Technical details table (on the next page).

! If the water inlet hose is not long enough, contact a specialist store or an authorised serviceman.

Connecting the drain hose



Connect the drain hose, without bending it, to a drainage duct or a wall drain located at a height between 65 and 100 cm from the floor;



alternatively, rest it on the side of a washbasin or bathtub, fastening the duct supplied to the tap (*see figure*). The free end of the hose should not be underwater.

! We advise against the use of hose extensions; if it is absolutely necessary, the extension must have the same diameter as the original hose and must not exceed 150 cm in length.

Electrical connections

Before plugging the appliance into the electricity socket, make sure that:

- the socket is earthed and complies with all applicable laws;
- the socket is able to withstand the maximum power load of the appliance as indicated in the Technical data table (*see opposite*);
- the power supply voltage falls within the values indicated in the Technical data table (*see opposite*);
- the socket is compatible with the plug of the washing machine. If this is not the case, replace the socket or the plug.

! The washing machine must not be installed outdoors, even in covered areas. It is extremely dangerous to leave the appliance exposed to rain, storms and other weather conditions.

! When the washing machine has been installed, the electricity socket must be within easy reach.


! Do not use extension cords or multiple sockets.

! The cable should not be bent or compressed.




! The power supply cable must only be replaced by authorised technicians.

Warning! The company shall not be held responsible in the event that these regulations are not respected.

The first wash cycle

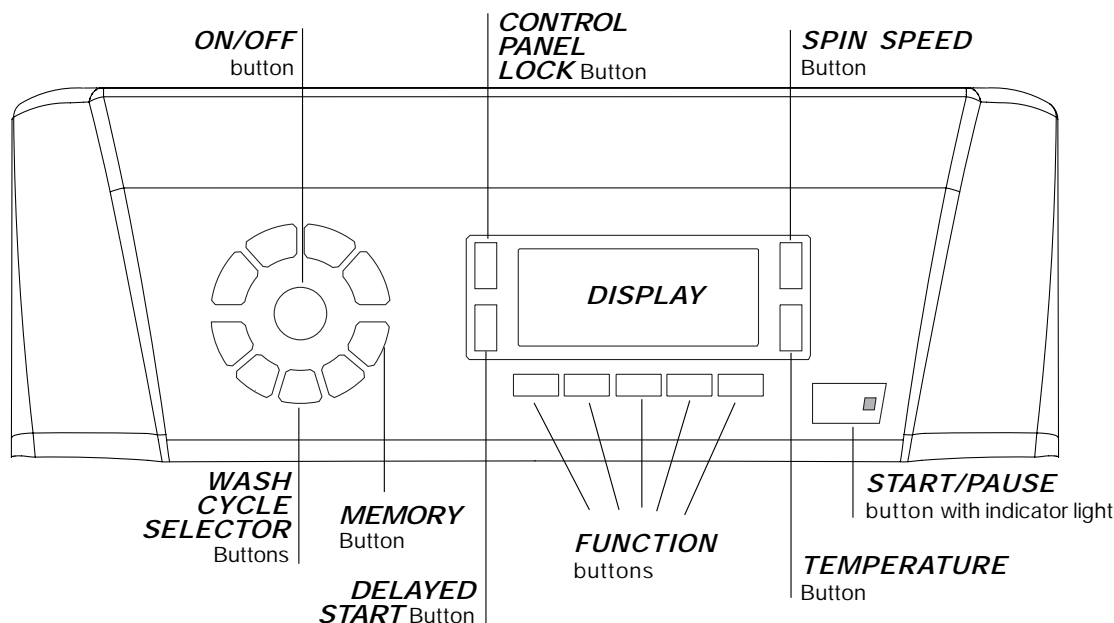
Once the appliance has been installed, and before you use it for the first time, run a wash cycle with detergent and no laundry, using the wash cycle .


Technical data

Model	ARTXD 109
Dimensions	width 40 cm height 85 cm depth 60 cm
Capacity	from 1 to 6 kg
Electrical connections	please refer to the technical data plate fixed to the machine
Water connections	maximum pressure 1 MPa (10 bar) minimum pressure 0.05 MPa (0.5 bar) drum capacity 42 litres
Spin speed	up to 1000 rotations per minute
Test Programmes according to 1061/2010	programme  (90°C); temperature 60°C and 40°C (By pressing the TEMPERATURE button).
 	This appliance conforms to the following EC Directives: - 2004/108/CE (Electromagnetic Compatibility) - 2002/96/EC - 2006/95/EC (Low Voltage)

Description of the washing machine

Control panel





ON/OFF button : press this briefly to switch the machine on or off. The START/PAUSE indicator light, which flashes slowly in a green colour shows that the machine is switched on. To switch off the washing machine during the wash cycle, press and hold the button for approximately 2 seconds; if the button is pressed briefly or accidentally the machine will not switch off. If the machine is switched off during a wash cycle, this wash cycle will be cancelled.



WASH CYCLE SELECTOR buttons: used to set the desired wash cycle (see "Table of wash cycles").


MEMORY button: press and hold the button to store a cycle with your own set of preferences in the memory of the machine. To recall a previously stored cycle, press the MEMO button.

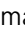
FUNCTION buttons: press the button to select the desired function. The corresponding indicator light on the display will switch on.

SPIN button : press to reduce or completely exclude the spin cycle - the value is indicated on the display.

TEMPERATURE button : press to decrease the temperature: the value will be shown on the display.

CONTROL PANEL LOCK button : to activate the control panel lock, press and hold the button for approximately 2 seconds. When the symbol  is illuminated, the control panel is locked. This means it is possible to prevent wash cycles from being modified accidentally, especially where there are children in the home. To deactivate the control panel lock, press and hold the button for approximately 2 seconds.

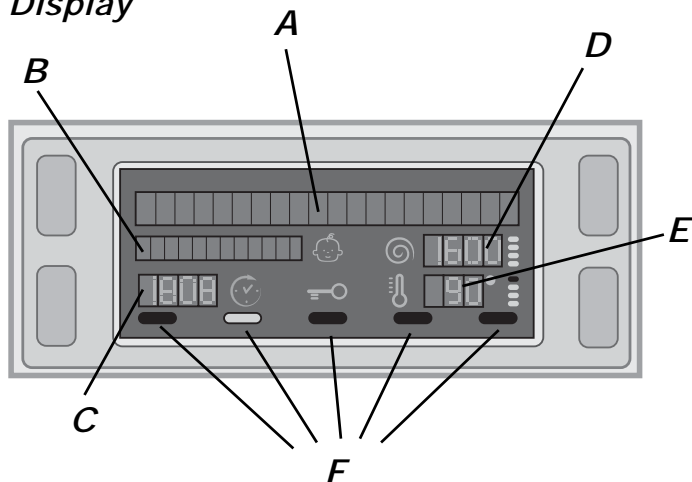
DELAYED START button : press to set a delayed start time for the selected wash cycle. The delay time will be shown on the display.

START/PAUSE button with indicator light: when the green indicator light flashes slowly, press the button to start a wash cycle. Once the cycle has begun the indicator light will remain lit in a fixed manner. To pause the wash cycle, press the button again; the indicator light will flash in an orange colour. If the symbol  is not illuminated, the door may be opened. To start the wash cycle from the point at which it was interrupted, press the button again.

Standby mode

This washing machine, in compliance with new energy saving regulations, is fitted with an automatic standby system which is enabled after about 30 minutes if no activity is detected. Press the ON-OFF button briefly and wait for the machine to start up again.

Display



The display is useful when programming the machine and provides a great deal of information.

The two upper strings **A** and **B** provide details of the wash cycle selected, the wash cycle phase in progress and all information relating to the progress status of the wash cycle.

String **C** shows the time remaining until the end of the wash cycle in progress and, if a DELAYED START has been set, the time remaining until the start of the selected wash cycle.

String **D** shows the maximum spin speed value (this depends on the selected wash cycle); if the wash cycle does not include a spin cycle, the string remains unused.

String **E** shows the maximum temperature value which may be selected (this depends on the wash cycle used); if the temperature of the wash cycle cannot be modified, the string remains unused.

Indicator lights **F** correspond to the functions and light up when the selected function is compatible with the set wash cycle.

Door locked symbol

If the symbol is lit, this indicates that the washing machine door is blocked to prevent it from being opened accidentally. To prevent any damage from occurring, wait for the symbol to switch itself off before opening the appliance door (it will take about three minutes).

N.B.: if the DELAYED START function has been activated, the door cannot be opened; pauses the machine by pressing the START/PAUSE button if you wish to open it.

! The first time the machine is switched on, you will be asked to select the language and the display will automatically show the language selection menu.

To select the desired language press the TEMPERATURE and SPIN buttons; to confirm the selection press the CONTROL PANEL LOCK button.

If you wish to select another language switch off the machine, then press and hold the CONTROL PANEL LOCK + TEMPERATURE + SPIN buttons simultaneously for 5 seconds, then repeat the steps listed above.

How to open and to close the drum

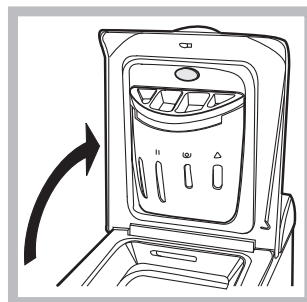


Fig. 1

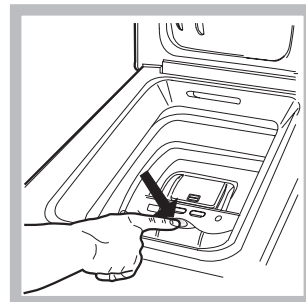


Fig. 2

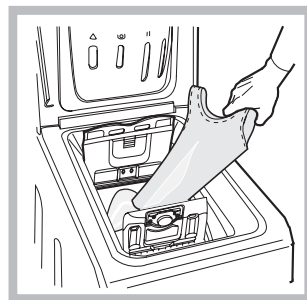


Fig. 3

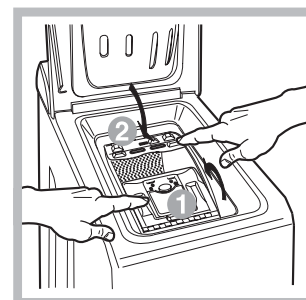


Fig. 4

A) Opening (Fig. 1):

Lift the external lid and open it completely.

B) Opening the drum (Soft opening):

With one finger, push the button indicated in *fig. 2* and the drum will open delicately.

C) Loading the washing machine (Fig. 3).

D) Shutting (Fig. 4):


- close the drum fully by first shutting the front door followed by the rear one;
- then ensure the hooks on the front door are perfectly housed within the seat of the rear door;
- after the hooks have clicked into position, press both doors lightly downwards to make sure they do not come loose;
- finally shut the external lid.



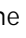
E) Drum End Stop (Fig. 2):

Once the wash cycle has been completed, the drum will position itself with doors facing upward for ease of opening.

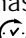
Running a wash cycle

GB

1. **SWITCH THE MACHINE ON.** Press the  button; the text WELCOME will appear on the display and the START/PAUSE indicator light will flash slowly in a green colour.
2. **LOAD THE LAUNDRY.** Open the porthole door. Load the laundry, making sure you do not exceed the maximum load value indicated in the table of programmes on the following page.
3. **MEASURE OUT THE DETERGENT.** Pour the detergent into the relevant compartments as described in "*Detergents and laundry*".
4. **CLOSE THE DOOR.**
5. **SELECT THE WASH CYCLE.** Press one of the WASH CYCLE SELECTOR buttons to select the required wash cycle; the name of the wash cycle will appear on the display. A temperature and spin speed is set for each wash cycle; these may be adjusted. The duration of the cycle will appear on the display.
6. **CUSTOMISE THE WASH CYCLE.** Use the relevant buttons:

 **Modifying the temperature and/or spin speed.** The machine automatically displays the maximum temperature and spin speed values set for the selected cycle, or the most recently-used settings if they are compatible with the selected cycle. The temperature can be decreased by pressing the  button, until the cold wash "OFF" setting is reached. The spin speed may be progressively reduced by pressing the  button, until it is completely excluded (the "OFF" setting). If these buttons are pressed again, the maximum values are restored.

Setting a delayed start.

To set a delayed start for the selected programme, press the corresponding button repeatedly until the required delay period has been reached. When this option is enabled, the  symbol lights up on the display. To remove the delayed start function press the button until the text "OFF" appears on the display.


Modifying the cycle settings.


- Press the button to enable the function; the indicator light corresponding to the button will switch on.
- Press the button again to disable the function; the indicator light will switch off.


! If the selected function is not compatible with the programmed wash cycle, the indicator light will flash and the function will not be activated.

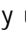
! If the selected function is not compatible with another function which has been selected previously, the indicator light corresponding to the first function selected will flash and only the second function will be activated; the indicator light corresponding to the enabled function will remain lit.

! The functions may affect the recommended load value and/or the duration of the cycle.

7. **START THE PROGRAMME.** Press the START/PAUSE button. The corresponding indicator light will become green, remaining lit in a fixed manner, and the door will be locked (the DOOR LOCKED  symbol will be on). During the wash cycle, the name of the phase in progress will appear on the display. To change a wash cycle while it is in progress, pause the washing machine using the START/PAUSE button (the START/PAUSE indicator light will flash slowly in an orange colour); then select the desired cycle and press the START/PAUSE button again.

To open the door while a cycle is in progress, press the START/PAUSE button; if the DOOR LOCKED  symbol is switched off the door may be opened. Press the START/PAUSE button again to restart the wash cycle from the point at which it was interrupted.

8. **THE END OF THE WASH CYCLE.** This will be indicated by the text "END OF CYCLE" on the display; when the DOOR LOCKED  symbol switches off the door may be opened. Open the door, unload the laundry and switch off the machine.

! If you wish to cancel a cycle which has already begun, press and hold the  button. The cycle will be stopped and the machine will switch off.

Load balancing system

Before every spin cycle, to avoid excessive vibrations and to distribute the load in a uniform manner, the drum rotates continuously at a speed which is slightly greater than the washing rotation speed. If, after several attempts, the load is not balanced correctly, the machine spins at a reduced spin speed. If the load is excessively unbalanced, the washing machine performs the distribution process instead of spinning. To encourage improved load distribution and balance, we recommend small and large garments are mixed in the load.

Wash cycles and functions

Table of wash cycles

Wash cycles	Description of the wash cycle	Max. temp. (°C)	Max. speed (rpm)	Detergents				Max. load (kg)	Cycle duration	
				Prewash	Bleach	Wash	Fabric softener			
Everyday wash cycles (Daily)										
	Cotton (1-2) : extremely soiled whites.	90°	1000	●	●	●	●	6	The duration of the wash cycles can be checked on the display.	
	Cotton: heavily soiled whites and resistant colours.	60°	1000	●	●	●	●	6		
	Cotton (3) : heavily soiled whites and delicate colours.	40°	1000	●	●	●	●	6		
	Synthetics (1 st press of the button): heavily soiled resistant colours.	60°	800	●	●	●	●	2,5		
	Synthetics (4) (1 st press of the button): heavily soiled resistant colours.	40°	800	●	●	●	●	2,5		
	Synthetics (2 nd press of the button): lightly soiled resistant colours.	40°	800	●	●	●	●	2,5		
	Mix 30' (1 st press of the button): to refresh lightly soiled garments quickly (not suitable for wool, silk and clothes which require washing by hand).	30°	800	-	-	●	●	3		
	Mix 15' (2 nd press of the button): to refresh lightly soiled garments quickly (not suitable for wool, silk and clothes which require washing by hand).	30°	800	-	-	●	●	1,5		
Special cycles / Memory										
	Baby cycle: heavily soiled delicate colours.	40°	800	-	●	●	●	2		
M	Memory: allows for any wash cycle to be stored.									
	Silk/Curtains: for garments in silk and viscose, lingerie.	30°	0	-	-	●	●	1		
	Wool: for wool, cashmere, etc.	40°	800	-	-	●	●	1		
Partial wash cycles										
	Fast Spin (1 st press of the button)	-	1000	-	-	-	-	6		
	Slow spin (2 nd press of the button)	-	800	-	-	-	-	2,5		
	Rinse cottons (1 st press of the button)	-	1000	-	●	-	●	6		
	Pump out (2 nd press of the button)	-	0	-	-	-	-	6		

The length of cycle shown on the display or in this booklet is an estimation only and is calculated assuming standard working conditions. The actual duration can vary according to factors such as water temperature and pressure, the amount of detergent used, the amount and type of load inserted, load balancing and any wash options selected.

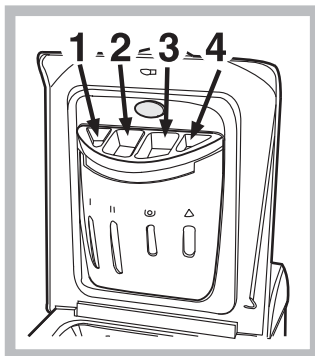
For all Test Institutes:

- 1) Test wash cycle in compliance with according 1061/2010: set wash cycle (90°C) with a temperature of 60°C and 40°C (By pressing the TEMPERATURE button).
- 2) Long wash cycle for cottons: set wash cycle (90°C) with a temperature of 40°C (By pressing the TEMPERATURE button).
- 3) Short wash cycle for cottons: set wash cycle (40°C).
- 4) Long wash cycle for synthetics: set wash cycle (60°C) (1st press of the button); with a temperature of 40°C (By pressing the TEMPERATURE button).

Wash functions

Stain removal

This function is particularly useful for the removal of stubborn stains.



To run the bleach cycle on its own, pour the bleach into compartment 4, set the "Rinse" programme and activate the "Stain removal" programme. To bleach during a wash cycle, pour in the detergent and any fabric softener you wish to use, set the desired wash cycle and enable the "Stain removal" function.

! It cannot be used with the , , , and "Pump out" programmes.

P Prewash

If this function is selected, the pre-wash cycle will run; this is useful for removing stubborn stains.

N.B.: put the detergent in the relevant compartment.

! It cannot be used with the , , , , , programmes.

Extra rinse

By selecting this option, the efficiency of the rinse is increased and optimal detergent removal is guaranteed. It is particularly useful for sensitive skin.

! It cannot be used in conjunction with the , and "Pump out" programmes.

Easy iron

By selecting this function, the wash and spin cycles will be modified in order to reduce the formation of creases. The wash cycles ends with the laundry being left to soak in the machine; the EASY IRON and START/PAUSE indicator lights will flash (orange) and the text "STOP WITH WATER" will appear on the display. To drain the water so that the laundry may be removed, press the START/PAUSE button or the EASY IRON button.

! It may not be used with the , , , and "Pump out" programmes.

Fast wash

Reduces the duration of the wash cycle, while making it possible to save water and electricity.

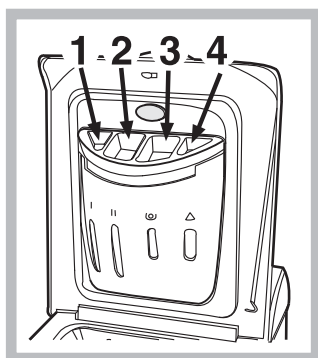
! It cannot be used with the , , , , , programmes.

Detergents and laundry

GB

Detergent dispenser drawer

Good washing results also depend on the correct dose of detergent: adding too much detergent won't necessarily make for a more efficient wash, and may in fact cause build up on the interior of your appliance and even pollute the environment.



Open up the detergent dispenser and pour in the detergent and fabric softener, as follows.

compartment 1: Detergent for pre-wash

compartment 2: Detergent for the wash cycle (powder or liquid)

It is recommended that you place liquid detergent directly into the compartment using the appropriate dosing cup.

compartment 3: Additives (softener, etc.)

When pouring the softener in compartment 3, avoid exceeding the "max" level indicated. The softener is added automatically into the machine during the last wash. At the end of the wash programme, some water will be left in compartment 3. This is used for the inlet of denser fabric softeners into the machine, i.e. to dilute the more concentrated softeners. Should more than a normal amount of water remain in compartment 3, this means the emptying device is blocked. For cleaning instructions, see "Care and maintenance".

compartment 4: Bleach

Preparing the laundry

- Divide the laundry according to:
 - the type of fabric/the symbol on the label
 - the colours: separate coloured garments from whites.
- Empty all garment pockets and check the buttons.
- Do not exceed the listed values, which refer to the weight of the laundry when dry:
 - Durable fabrics: max. 6 kg
 - Synthetic fabrics: max. 2,5 kg
 - Delicate fabrics: max. 2 kg
 - Wool: max. 1 kg
 - Silk: max. 1 kg

How much does your laundry weigh?

- 1 sheet 400-500 g
- 1 pillow case 150-200 g
- 1 tablecloth 400-500 g
- 1 bathrobe 900-1200 g
- 1 towel 150-250 g

Special wash cycles

Mix 30': this wash cycle was designed to wash lightly soiled garments quickly: it lasts just 30 minutes and therefore saves both energy and time. By selecting this wash cycle (🌀) at 30°C, it is possible to wash different fabrics together (except for wool and silk items), with a maximum load of 3 kg.

Mix 15': this wash cycle was designed to wash lightly soiled garments quickly: it lasts just 15 minutes and therefore saves both energy and time. By selecting this wash cycle (🌀) at 30°C, it is possible to wash different fabrics together (except for wool and silk items), with a maximum load of 1.5 kg.

Baby cycle: this wash cycle can be used to remove the soiling typically caused by babies, while ensuring that all detergent is removed from nappies in order to prevent the delicate skin of babies from suffering allergies. The cycle (👶) has been designed to reduce the amount of bacteria by using a greater quantity of water and optimising the effect of special disinfecting additives added to the detergent.

Silk: use special wash cycle (👚) to wash all silk garments. We recommend the use of special detergent which has been designed to wash delicate clothes.

Curtains: fold curtains and place them in a pillow case or mesh bag. Use wash cycle (👚).

Wool: is the only washing machine manufacturer to have been awarded the prestigious Woolmark Platinum Care endorsement (M.0508) by the Woolmark Company, which means that all woollen garments may be washed in the washing machine, even those which state "hand wash only" (👚) on the label. Wash cycle (🌀) therefore offers complete peace of mind when washing woollen garments in the washing machine (max. load 1 kg) and guarantees optimal performance.

Precautions and tips

! This washing machine was designed and constructed in accordance with international safety regulations. The following information is provided for safety reasons and must therefore be read carefully.

General safety

- This appliance was designed for domestic use only.
- This appliance is not intended for use by persons (including children) with reduced physical, sensory or mental capabilities, or lack of experience and knowledge, unless they have been given supervision or instruction concerning use of the appliance by a person responsible for their safety. Children should be supervised to ensure that they do not play with the appliance.
- Do not touch the machine when barefoot or with wet or damp hands or feet.
- Do not pull on the power supply cable when unplugging the appliance from the electricity socket. Hold the plug and pull.
- Do not touch the drained water as it may reach extremely high temperatures.
- Never force the porthole door. This could damage the safety lock mechanism designed to prevent accidental opening.
- If the appliance breaks down, do not under any circumstances access the internal mechanisms in an attempt to repair it yourself.
- Always keep children well away from the appliance while it is operating.
- If the appliance has to be moved, work in a group of two or three people and handle it with the utmost care. Never try to do this alone, because the appliance is very heavy.
- Before loading laundry into the washing machine, make sure the drum is empty.

Disposal

- Disposing of the packaging materials: observe local regulations so that the packaging may be re-used.
- The European Directive 2002/96/EC on Waste Electrical and Electronic Equipment, requires that old household electrical appliances must not be disposed of in the normal unsorted municipal waste stream. Old appliances must be collected separately in order to optimise the recovery and recycling of the materials they contain and reduce the impact on human health and the environment. The crossed out "wheeled bin" symbol on the product reminds you of your obligation, that when you dispose of the appliance it must be separately collected.

Consumers should contact their local authority or retailer for information concerning the correct disposal of their old appliance.

Saving energy and respecting the environment

Saving on detergent, water, energy and time

- To avoid wasting resources, the washing machine should be used with a full load. A full load instead of two half loads allows you to save up to 50% on energy.
- The pre-wash cycle is only necessary on extremely soiled garments. Avoiding it will save on detergent, time, water and between 5 and 15% energy.
- Treating stains with a stain remover or leaving them to soak before washing will cut down the need to wash them at high temperatures. A programme at 60°C instead of 90°C or one at 40°C instead of 60°C will save up to 50% on energy.
- Use the correct quantity of detergent depending on the water hardness, how soiled the garments are and the amount of laundry you have, to avoid wastage and to protect the environment: despite being biodegradable, detergents do contain ingredients that alter the natural balance of the environment. In addition, avoid using fabric softener as much as possible.
- If you use your washing machine from late in the afternoon until the early hours of the morning, you will help reduce the electricity board's peak load. The "DELAYED START" option helps to organise your wash cycles accordingly.
- If your laundry has to be dried in a tumble dryer, select a high spin speed. Having the least water possible in your laundry will save you time and energy in the drying process.

Care and maintenance

GB Cutting off the water or electricity supply

- Turn off the water tap after every wash. This will limit the wear of your appliance's water system and also prevent leaks.
- Unplug your appliance when cleaning it and during all maintenance operations.

Cleaning your appliance

The exterior and rubber parts of your appliance can be cleaned with a soft cloth soaked in lukewarm soapy water. Do not use solvents or abrasives.

Caring for your appliance door and drum

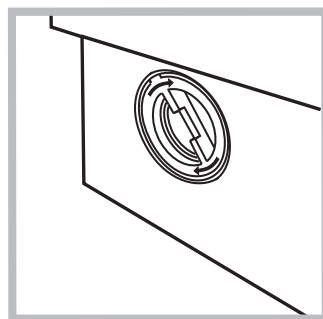
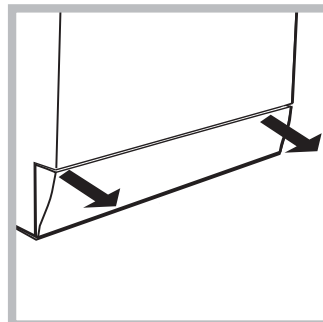
- Always leave the appliance door ajar to prevent unpleasant odours from forming.

Cleaning the pump

The washing machine is fitted with a self-cleaning pump that does not require any maintenance. Sometimes, small items (such as coins or buttons) may fall into the pre-chamber that protects the pump, situated in the lower part of the same.

! Make sure the wash cycle has ended and unplug the appliance.

To recover any objects that have fallen into the pre-chamber:



1. remove the plinth at the bottom on the front side of the washing machine by pulling from the side with your hands (*see figure*);
2. unscrew the lid rotating it anticlockwise (*see figure*); a little water may trickle out. This is perfectly normal;
3. clean the interior thoroughly;
4. screw the lid back on;
5. reposition the panel, making sure the hooks are securely in place before you push it onto the appliance.

Checking the water inlet hose

Check the water inlet hose at least once a year. If you see any cracks, replace it immediately: during the wash cycles, water pressure is very strong and a cracked hose could easily split open.

! Never use hoses that have already been used.

How to clean the detergent dispenser

Disassembly:

Press lightly on the large button on the front of the detergent dispenser and pull it upwards (*fig. 1, 2*).



Fig. 1

Cleaning:

Then clean the dispenser under a tap (*fig. 3*) using an old toothbrush and, once the pair of siphons inserted in the top of compartments 1 and 2 (*fig. 4*) have been pulled out, check whether the same are not clogged and then rinse them.

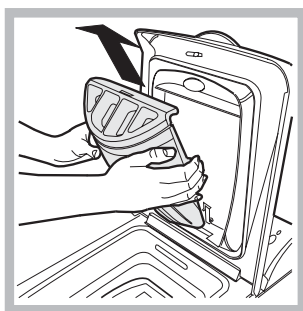


Fig. 2

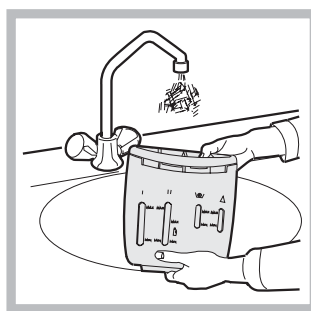


Fig. 3

Reassembly:

Do not forget to reinsert the pair of siphons into the special housings and then to replace the dispenser into its seat, clicking it into place (*fig. 4, 2 and 1*).

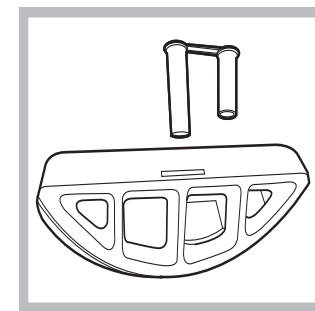


Fig. 4

Troubleshooting

Your washing machine could fail to work. Before contacting the Technical Assistance Centre (see "Assistance"), make sure that the problem cannot be not solved easily using the following list.

Problem:

Possible causes / Solutions:

The washing machine does not switch on.

- The appliance is not plugged into the socket fully, or is not making contact.
- There is no power in the house.

The wash cycle does not start.

- The appliance Lid is not shut properly.
- The ON/OFF button has not been pressed.
- The START/PAUSE button has not been pressed.
- The water tap has not been opened.
- A delayed start has been set (see "Running a wash cycle").

The washing machine does not take in water (the text "NO WATER, CHECK SUPPLY" appears on the display).

- The water inlet hose is not connected to the tap.
- The hose is bent.
- The water tap has not been opened.
- There is no water supply in the house.
- The pressure is too low.
- The START/PAUSE button has not been pressed.

The washing machine continuously takes in and drains water.

- The drain hose is not fitted at a height between 65 and 100 cm from the floor (see "Installation").
 - The free end of the hose is under water (see "Installation").
 - The wall drainage system is not fitted with a breather pipe.
- If the problem persists even after these checks, turn off the water tap, switch the appliance off and contact the Assistance Service. If the dwelling is on one of the upper floors of a building, there may be problems relating to water drainage, causing the washing machine to fill with water and drain continuously. Special anti-draining valves are available in shops and help to avoid this inconvenience.

The washing machine does not drain or spin.

- The wash cycle does not include draining: some wash cycles require the drain phase to be started manually (see "Wash cycles and functions").
- The EASY IRON function has been activated: To complete the wash cycle, press the START/PAUSE button (see "Wash cycles and functions").
- The drain hose is bent (see "Installation").
- The drainage duct is clogged.

The washing machine vibrates a lot during the spin cycle.

- The drum was not unlocked correctly during installation (see "Installation").
- The washing machine is not level (see "Installation").
- The washing machine is trapped between cabinets and walls (see "Installation").

The washing machine leaks.

- The water inlet hose is not screwed on properly (see "Installation").
- The detergent dispenser drawer is blocked (for cleaning instructions, see "Care and maintenance").
- The drain hose is not fixed properly (see "Installation").

The machine is locked and the display flashes, indicating an error code (e.g. F-01, F-..).

- Switch off the machine and unplug it, wait for approximately 1 minute and then switch it back on again.
- If the problem persists, contact the Technical Assistance Service.

There is too much foam.

- The detergent is not suitable for machine washing (it should display the text "for washing machines" or "hand and machine wash", or the like).
- Too much detergent was used.

Service

GB

Before calling for Assistance:

- Check whether you can solve the problem alone (see "*Troubleshooting*");
- Restart the programme to check whether the problem has been solved;
- If this is not the case, contact an authorised Technical Assistance Centre using the telephone number provided on the guarantee certificate.

! Always request the assistance of authorised technicians.

Have the following information to hand:

- the type of problem;
- the appliance model (Mod.);
- the serial number (S/N).

This information can be found on the data plate situated on the rear of the washing machine.

CIS

Русский

ARTXD 109

CIS

Содержание

Установка, 14-15

Распаковка и нивелировка
Подключение к водопроводу и электричеству
Первый цикл стирки

Описание стиральной машины, 16-17

Панель управления
Дисплей
Как открыть и закрыть барабан

Порядок выполнения цикла стирки, 18

Система балансировки белья

Программы и функции, 19

Таблица программ
Функции стирки

Моющие средства и типы белья, 20

Распределитель моющих средств
Подготовка белья
Специальные программы

Предосторожности и рекомендации, 21

Общие требования к безопасности
Утилизация
Экономия энергии и охрана окружающей среды

Техническое обслуживание и уход, 22

Отключение воды и электричества
Уход за стиральной машиной
ход за дверцей машины и барабаном
Чистка насоса
Проверка заливного шланга
Как чистить распределитель моющих средств

Поиск неисправностей и методы их устранения, 23

Сервисное обслуживание, 24

Технические характеристики



АЮ 77



KZ.O.02.0361

Установка

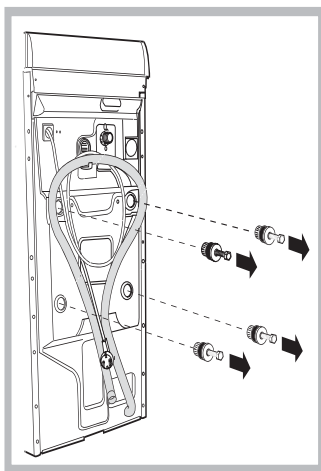
CIS

! Сохраните данное руководство. Оно должно быть в комплекте со стиральной машиной в случае продажи, передачи оборудования или при переезде на новую квартиру, чтобы новый владелец оборудования мог ознакомиться с правилами его функционирования и обслуживания.

! Внимательно прочитайте руководство: в нем содержатся важные сведения по установке и безопасной эксплуатации стиральной машины.

Распаковка и выравнивание

Распаковка



1. Распакуйте стиральную машину.
2. Убедитесь, что оборудование не было повреждено во время транспортировки. При обнаружении повреждений – не подключайте машину – свяжитесь с поставщиком немедленно.
3. Удалите четыре транспортировочных винта и резиновые пробки с прокладками,

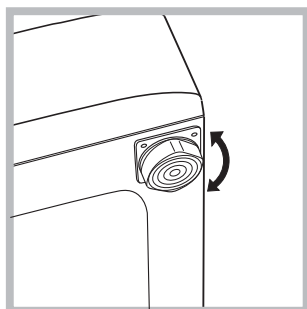
расположенные в задней части стиральной машины (см. рис.).

4. Закройте отверстия прилагающимися пластиковыми заглушками.
5. Сохраняйте все детали: они Вам понадобятся при последующей транспортировке стиральной машины.

болты, резиновые шайбы и большую металлическую поперечную планку. Закройте образовавшиеся отверстия пластмассовыми заглушками.

! Не разрешайте детям играть с упаковочными материалами.

Выравнивание



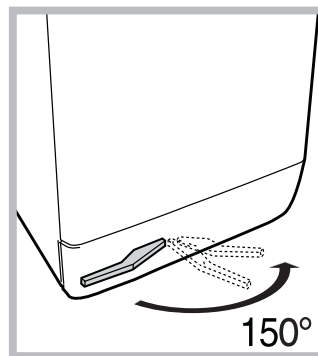
1. Установите стиральную машину на ровном и прочном полу, так чтобы она не касалась стен, мебели и прочих предметов.
2. После установки машины на место отрегулируйте ее устойчивое положение

путем вращения передних ножек (см. рис.). Для этого сначала ослабьте контргайку, после завершения регулировки контргайку затяните. После установки машины на место проверьте по уровню

горизонтальность верхней крышки корпуса, отклонение горизонтали должно быть не более 2°. Правильное выравнивание оборудования поможет избежать шума, вибраций и смещений во время работы машины.

Если стиральная машина стоит на полу, покрытом ковром, убедитесь, что ее основание возвышается над ковром. В противном случае вентиляция будет затруднена или вовсе невозможна.

Установка машины на место и перемещение

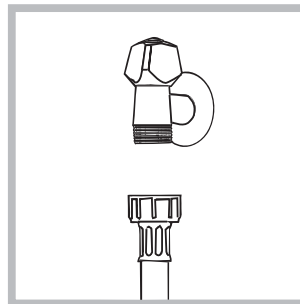


Ваша стиральная машина может быть оснащена специальными убирающимися колесами для облегчения ее перемещения. Чтобы опустить колеса и передвинуть оборудование, просто потяните за рычаг, расположенный слева под основанием машины. После установки

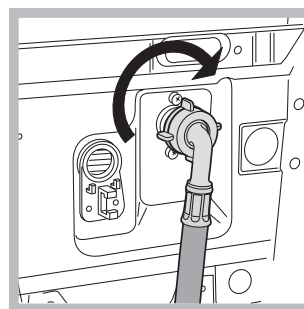
оборудования в требуемое положение верните рычаг в исходное поло.

Подключение к водопроводной и электрической сети

Подсоединение заливного шланга



1. Прикрутите шланг подачи к крану холодной воды с резьбовым отверстием 3/4 gas (см. схему). Перед подсоединением откройте водопроводный кран до тех пор, пока из него не потечет чистая вода.

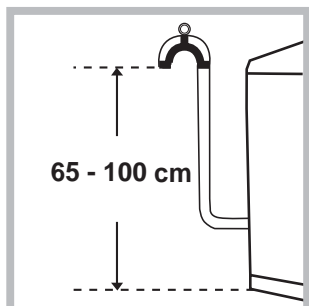


2. Подсоедините заливной шланг к стиральной машине, навинтив его на водоприемник, расположенный в задней верхней части справа (см. рис.).
3. Убедитесь, что шланг не перекручен и не пережат.

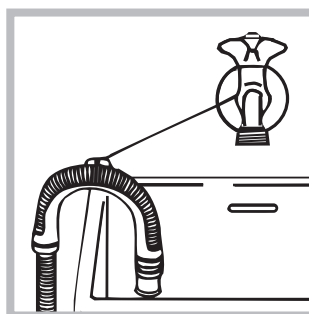
! Давление воды должно быть в пределах значений, указанных в таблице Технических характеристик (см. с. 15).

! Если длина водопроводного шланга окажется недостаточной, обратитесь в Авторизованный Сервисный центр.

Подсоединение сливного шланга



Повесьте загнутый конец сливного шланга на край раковины, ванны, или поместите в специальный вывод канализации. Шланг не должен перегибаться. Верхняя точка сливного шланга должна находиться на высоте 65-100 см от пола. Расположение сливного шланга должно обеспечивать разрыв струи при сливе (конец шланга не должен быть опущен в воду). В случае крепления на край ванной или раковины, шланг вешается с помощью направляющей (входит в комплект поставки), которая крепится к крану (рис.).



! Не рекомендуется применение удлинителей для сливного шланга, при необходимости допускается его наращивание шлангом такого же диаметра и длиной не более 150 см.

Подсоединение к электросети

Внимание! Оборудование обязательно должно быть заземлено!

1. Машина подключается к электрической сети при помощи двухполюсной розетки с заземляющим контактом (розетка не поставляется с машиной). Фазный провод должен быть подключен через автомат защиты сети, рассчитанный на максимальный ток (ток срабатывания) 16 А, и имеющий время срабатывания не более 0,1 с.
2. При наличии вблизи от предполагаемого места установки машины розетки с заземляющим контактом, имеющей трехпроводную подводку кабеля с медными жилами сечением не менее 1,5 кв. мм (или алюминиевыми жилами сечением не менее 2,5 кв. мм), доработка электросети не производится. При отсутствии указанной розетки и проводки следует провести их монтаж.
3. Прокладка заземления отдельным проводом не допускается.
4. Для доработки электрической сети рекомендуется применять провод типа ППВ 3x1,5 380 ГОСТ 6223-79. Допускается применение других марок кабеля, обеспечивающих пожаро- и электробезопасность при эксплуатации машины.

Перед включением машины в сеть убедитесь, что:

- розетка и проводка соответствуют требованиям, изложенным в данном разделе инструкции;
- напряжение и частота тока сети соответствуют данным машины;
- розетка и вилка одного типа;

- розетка заземлена в соответствии с нормами безопасности, описанными в данном разделе инструкции (допускается организация заземления рабочим нулем, при условии, что защитная линия не имеет разрыва и подключена напрямую в обвод каких-либо приборов (например, электрического счетчика).

Если вилка не подходит к розетке, ее следует заменить на новую, соответствующую розетке, или заменить питающий кабель. Замена кабеля должна производиться только квалифицированным персоналом.

Запрещается использование переходников, двойных и более розеток и удлинителей (они создают опасность возгорания). Если Вы считаете их использование необходимым, применяйте один единственный удлинитель, удовлетворяющий требованиям безопасности.

Оборудование, подключенное с нарушением требований безопасности бытовых приборов большой мощности, изложенных в данной инструкции, является потенциально опасным.

Производитель не несет ответственности за ущерб здоровью и собственности, если он вызван несоблюдением указанных норм установки.

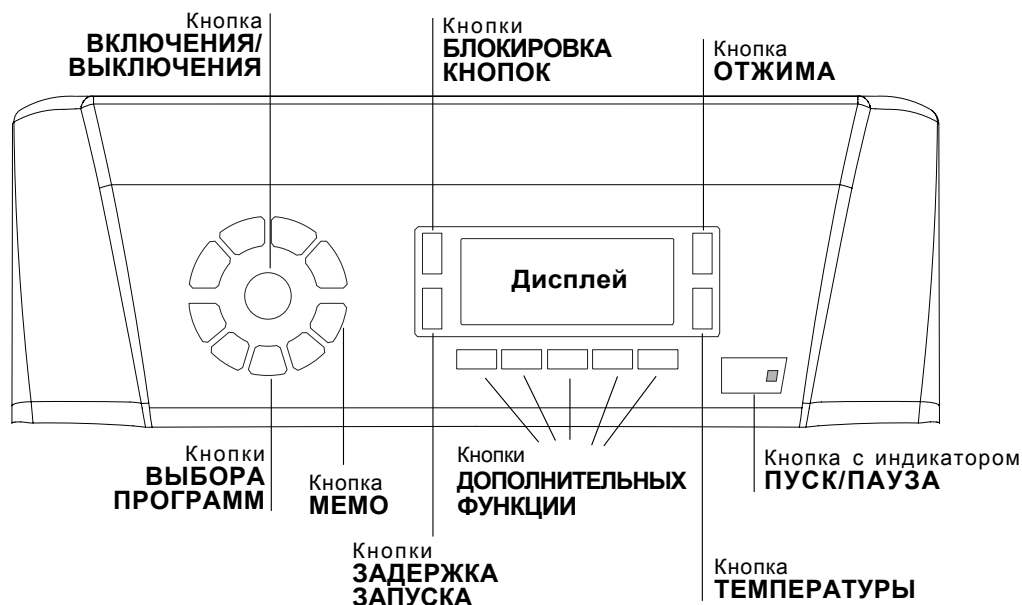
Первый цикл стирки


По завершении установки, перед началом эксплуатации необходимо произвести один цикл стирки со стиральным порошком, но без белья, по программе

Описание стиральной машины

CIS

Панель управления

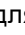



Кнопка **ВКЛЮЧЕНИЕ/ВЫКЛЮЧЕНИЕ** : быстро нажмите эту кнопку для включения или выключения машины. Индикатор ПУСК/ПАУЗА, редко мигающий зеленым цветом, означает, что машина включена. Для выключения стиральной машины в процессе стирки необходимо держать нажатой кнопку, примерно 2 секунды. Короткое или случайное нажатие не приведет к отключению машины. В случае выключения машины в процессе стирки текущий цикл отменяется.


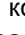
Кнопки **ВЫБОРА ПРОГРАММ**: служат для выбора нужной программы (см. «Таблица программ»).


Кнопка **МЕМО**: держите нажатой эту кнопку для сохранения цикла и персонализированных вами программ. Для вызова ранее сохраненного цикла нажмите кнопку МЕМО.

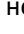
Кнопки **ДОПОЛНИТЕЛЬНЫХ ФУНКЦИЙ**: нажмите кнопку для выбора нужной вам функции. На дисплее загорится соответствующий индикатор.

Кнопка **ОТЖИМ** : нажмите эту кнопку для сокращения скорости или полного исключения отжима – значение показывается на дисплее.

Кнопка **ТЕМПЕРАТУРА** : нажмите эту кнопку для уменьшения значения температуры: значение показывается на дисплее.

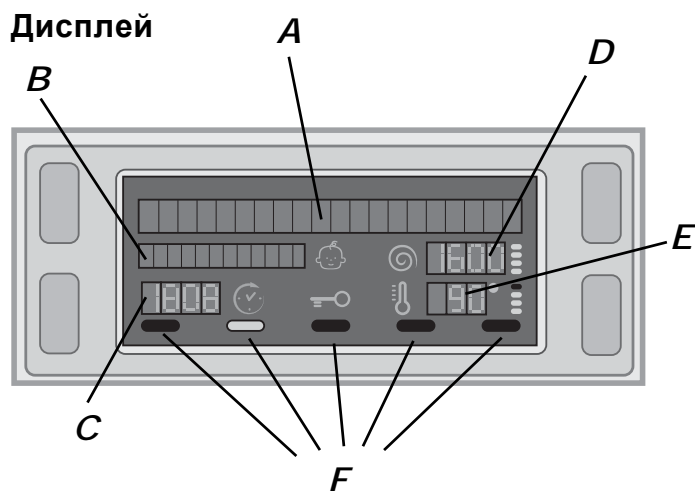
Кнопка **БЛОКИРОВКА КНОПОК** : для включения блокировки консоли управления держите кнопку нажатой примерно 2 секунды. Включенный  символ означает, что консоль управления заблокирована. Таким образом, программа не может быть случайно изменена, особенно если в доме дети. Для отключения блокировки консоли управления держите кнопку нажатой примерно 2 секунды.

Кнопка **ПУСК С ЗАДЕРЖКОЙ** : нажмите для программирования времени задержки пуска выбранной программы. Время задержки показывается на дисплее.

Кнопка с индикатором **ПУСК/ПАУЗА**: когда зеленый индикатор редко мигает, нажмите кнопку для запуска цикла стирки. После пуска цикла индикатор перестает мигать. Для прерывания стирки вновь нажмите эту кнопку; индикатор замигает оранжевым цветом. Если символ  не горит, можно открыть люк машины. Для возобновления стирки с момента, когда она была прервана, вновь нажмите эту кнопку.

Режим ожидания

Настоящая стиральная машина отвечает требованиям новых нормативов по экономии электроэнергии, укомплектована системой автоматического отключения (режим сохранения энергии), включающейся через 30 минут простоя машины. Нажмите один раз кнопку ВКЛЮЧЕНИЯ/ВЫКЛЮЧЕНИЯ и подождите, пока машина вновь включится.



Дисплей служит для программирования машины и предоставляет пользователю множество сведений.


На двух верхних строках **A** и **B** показываются выбранная программа стирки, текущая фаза стирки и все сведения о выполнении программы.

На строке **C** показывается время, остающееся до конца текущего цикла стирки и, если был задан ЗАДЕРЖКА ЗАПУСКА, время, остающееся до запуска выбранной программы.

На строке **D** показывается максимальное значение скорости отжима, который машина может выполнить в зависимости от выбранной программы; если выбранная программа не предусматривает отжим, данная строка не включается.

На строке **E** показывается максимальное значение температуры, которое можно выбрать в зависимости от выбранной программы; если выбранная программа не предусматривает настройку температуры, данная строка не включается.

Индикаторы **F** относятся к функциям и загораются, когда выбранная функция является совместимой с заданной программой.

Символ **заблокированного люка**  Включенный символ означает, что люк заблокирован во избежание его случайного открывания. Во избежание повреждений, перед тем как открыть люк, необходимо дождаться, пока погаснет символ (Обычно индикатор гаснет через 3 минуты после окончания стирки). **ПРИМЕЧАНИЕ:** если включена функция ЗАПУСК С ЗАДЕРЖКОЙ, люк открыть нельзя. Для этого необходимо переключить машину в режим паузы при помощи кнопки ПУСК/ПАУЗА.

! При первом включении машины потребуется выбрать язык, и дисплей автоматически покажет страницу меню выбора языка.

Для выбора нужного языка нажмите кнопки **ТЕМПЕРАТУРА** и **ОТЖИМ**, для подтверждения выбора нажмите кнопку **БЛОКИРОВКА КНОПОК**. Если вы хотите выбрать другой язык, **выключите машину**, нажмите одновременно кнопки **БЛОКИРОВКА КНОПОК + ТЕМПЕРАТУРА** и **ОТЖИМ** на 5 секунд, затем повторите вышеописанные операции.

Как открыть и закрыть барабан

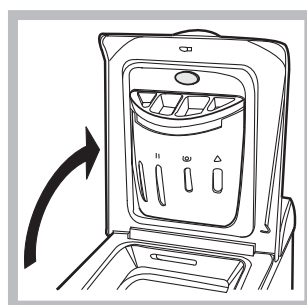


рис. 1

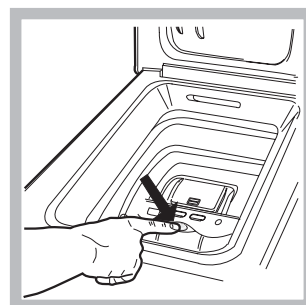


рис. 2

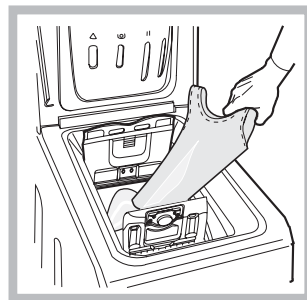


рис. 3

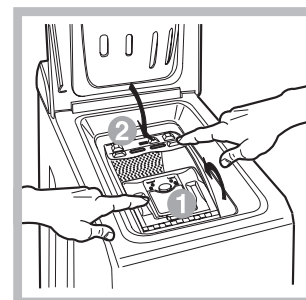
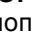


рис. 4

- A) ОТКРЫВАНИЕ (рис. 1):**
Поднимите внешнюю крышку и полностью ее откройте.
- B) Открывание барабана (Soft opening – Плавное открывание):**
Нажмите кнопку, показанную на *рис. 2*, крышка барабана плавно откроется.
- C) ЗАГРУЗКА СТИРАЛЬНОЙ МАШИНЫ (рис. 3).**
- D) ЗАКРЫВАНИЕ (рис. 4):**
- закройте полностью барабан, опуская сначала переднюю дверцу, а затем заднюю;
 - затем удостоверьтесь, что крюки передней дверцы точно вошли в предназначенные места на задней дверце;
 - после того, как крюки защелкнулись, нажмите обе дверцы слегка вниз, чтобы убедиться они закрыты плотно;
 - и, наконец, закройте внешнюю крышку.
- E) ОКОНЧАТЕЛЬНЫЙ ОСТАНОВ БАРАБАНА (рис. 2):**
По завершении стирки крышки барабана окажутся вверх для облегчения их открывания.

Порядок выполнения цикла стирки

CIS

1. **ПОРЯДОК ВКЛЮЧЕНИЯ МАШИНЫ.** Нажмите кнопку , на дисплее появится надпись ОК. Индикатор ПУСК/ПАУЗА редко мигает зеленым цветом.



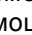
2. **ПОРЯДОК ЗАГРУЗКИ БЕЛЬЯ.** Откройте люк машины. Загрузите в барабан белье, не превышая максимальный допустимый вес, указанный в таблице программ на следующей странице.


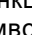
3. **ДОЗИРОВКА МОЮЩЕГО СРЕДСТВА.** Засыпьте моющее средство в специальные ячейки, как описано в разделе «*Стиральные вещества и типы белья*».


4. **ЗАКРОЙТЕ ЛЮК.**

5. **ВЫБОР ПРОГРАММЫ.** Нажмите одну из кнопок ВЫБОР ПРОГРАММЫ для выбора нужной программы. Название программы появится на дисплее. Вместе с программой будет показана температура и скорость отжима, которые могут быть изменены. На дисплее показывается продолжительность данного цикла.

6. **ПЕРСОНАЛИЗАЦИЯ ЦИКЛА СТИРКИ.** Нажмите соответствующие кнопки:

  **Порядок изменения температуры и/или скорости отжима.** Машина автоматически показывает на дисплее максимальные температуру и скорость отжима, предусмотренные для выбранной программы, или последние выбранные значения, если они совместимы с выбранной программой. При помощи кнопки  можно постепенно уменьшить температуру вплоть до стирки в холодной воде "OFF". При помощи кнопки  можно постепенно уменьшить скорость отжима вплоть до его исключения "OFF". При еще одном нажатии этих кнопок вернутся максимальные допустимые значения.

 **Программирование задержка запуска.** Для программирования задержки пуска выбранной программы нажмите соответствующую кнопку вплоть до получения нужного значения задержки. Когда включена функция задержки, на дисплее загорается символ . Для отмены задержки пуска нажмите кнопку вплоть до появления на дисплее надписи OFF.

    **Изменение параметров цикла.**


- Нажмите кнопку для включения функции; загорится индикатор соответствующей кнопки.


- Вновь нажмите кнопку для отключения функции; индикатор погаснет.


! Если выбранная функция является несовместимой с заданной программой, индикатор будет мигать, и такая функция не будет включена.

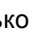
! Если выбранная функция является несовместимой с другой, ранее заданной дополнительной функцией, будет мигать индикатор первой выбранной функции, и будет включена только вторая дополнительная функция, индикатор включенной функции загорится.

! Дополнительные функции могут изменить рекомендуемую загрузку машины и/или продолжительность цикла.

7. **ПУСК ПРОГРАММЫ.** Нажмите кнопку ПУСК/ПАУЗА: Соответствующий индикатор загорится зеленым светом, и люк заблокируется (символ ЛЮК ЗАБЛОКИРОВАН  загорится). В процессе стирки на дисплее показывается название текущей фазы. Для изменения программы в процессе выполнения цикла переключите машину в режим паузы при помощи кнопки ПУСК/ПАУЗА (индикатор ПУСК/ПАУЗА редко мигает оранжевым цветом). Затем выберите новый цикл и вновь нажмите кнопку ПУСК/ПАУЗА.

Если требуется открыть люк после пуска цикла, нажмите кнопку ПУСК/ПАУЗА. Когда погаснет индикатор, ЛЮК ЗАБЛОКИРОВАН , можно открыть люк. Вновь нажмите кнопку ПУСК/ПАУЗА для возобновления программы с момента, в который она была прервана.

8. **ЗАВЕРШЕНИЕ ПРОГРАММЫ.** Показывается сообщением на дисплее «КОНЕЦ ЦИКЛА». После того, как погаснет символ ЛЮК ЗАБЛОКИРОВАН , можно будет открыть люк. Откройте люк, выгрузите белье и выключите машину.

! Для отмены уже запущенного цикла нажмите на несколько секунд кнопку . Цикл прервется и машина выключится.

Система балансировки белья

Перед каждым отжимом во избежание чрезмерных вибраций и для равномерного распределения белья в барабане машина производит вращения со скоростью, слегка превышающей скорость стирки. Если после нескольких попыток белье не будет правильно сбалансировано, машина произведет отжим на меньшей скорости по сравнению с предусмотренной.

Программы и функции

Таблица программ

Программы	Описание программы	Макс. темп. (°C)	Макс. скорость (об./мин.)	Стиральные средства				Макс. загрузка (кг)	Продолжительность цикла	
				Предварительная стирка	Отбеливатель	Стирка	Ополаскиватель			
Ежедневная программа										
	хлопок (1-2): Очень грязное белое белье.	90°	1000	●	●	●	●	6	Продолжительность программ стирки можно проверить по дисплею.	
	хлопок: сильнозагрязненное белое и прочное цветное белье.	60°	1000	●	●	●	●	6		
	хлопок (3): сильнозагрязненное белое и деликатное цветное белье.	40°	1000	●	●	●	●	6		
	СИНТЕТИКА (1 нажатие кнопки): Сильнозагрязненное белье прочное цветное белье.	60°	800	●	●	●	●	2,5		
	СИНТЕТИКА (2 нажатие кнопки): Слабозагрязненное прочное цветное белье.	40°	800	●	●	●	●	2,5		
	МIX 30 МИН. (1 нажатие кнопки): Для быстрого освежения малогазного белья (не для шерсти, шелка и изделия ручной стирки).	30°	800	-	-	●	●	3		
	МIX 15 МИН. (2 нажатие кнопки): Для быстрого освежения малогазного белья (не для шерсти, шелка и изделия ручной стирки).	30°	800	-	-	●	●	1,5		
Специальные программы										
	ДЕТСКОЕ БЕЛЬЕ: сильнозагрязненное деликатное цветное белье.	40°	800	-	●	●	●	2		
M	МЕМО: Позволяет ввести в память машины любую программу стирки.									
	ШЕЛК/ЗАНАВЕСКИ: Для изделий из шелка, вискозы и нижнего белья.	30°	0	-	-	●	●	1		
	ШЕРСТЬ: Для шерсти, кашемира и т.д.	40°	800	-	-	●	●	1		
Неполные программы										
	Отжим (1 нажатие кнопки)	-	1000	-	-	-	-	6		
	Деликатный отжим (2 нажатие кнопки)	-	800	-	-	-	-	2,5		
	Полоскание (1 нажатие кнопки)	-	1000	-	●	-	●	6		
	Слив (2 нажатие кнопки)	-	0	-	-	-	-	6		

Продолжительность цикла, показанная на дисплее или указанная в инструкциях является расчетом, сделанным на основании стандартных условий. Фактическая продолжительность может варьировать в зависимости от многочисленных факторов таких как температура и давление воды на подаче, температура помещения, количество моющего средства, количество и тип загруженного белья, балансировка белья, выбранные дополнительные функции.

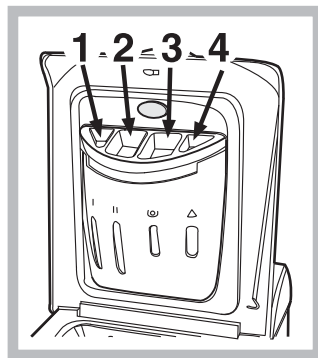
Для всех институтов тестирования:

- 1) Программы управления в соответствии с Директивой EN 60456: задайте программу с температурой 60°C.
- 2) Длинная программа для х/б белья: задайте программу с температурой 40°C.
- 3) Короткая программа для х/б белья: задайте программу с температурой 40°C.

Функции стирки

Отбеливание

Эта функция служит для удаления наиболее трудных пятен.



Для осуществления только отбеливания поместите отбеливатель в дополнительный дозатор 4 и задайте программу «Полоскание» и включите функцию «Отбеливание». Для отбеливания в процессе стирки засыпьте стиральный порошок и добавки, задайте нужную программу и включите функцию «Отбеливание».

! Функция не может быть включена с программами , , , , «Слив».

P Предварительная стирка

При выборе данной функции производится предварительная стирка, способствующая удалению наиболее трудновыводимых пятен.

ПРИМЕЧАНИЕ: Поместите стиральный порошок в специальную ячейку.

! Функция не может быть включена с программами , , , .

Дополнительное Полоскание

При выборе этой функции повышается эффективность полоскания, обеспечивая максимальное удаление стирального вещества. Эта функция особенно удобна для людей с кожей, чувствительной к стиральным веществам.

! Функция не может быть включена с программами , и «Слив».

Функция Легкая глажка

При выборе этой функции циклы стирки и отжима изменяются таким образом, чтобы сократить сминаемость белья.

При выборе программы машина завершает цикл без слива воды, индикаторы функции РАЗГЛАЖИВАНИЕ и ПУСК/ПАУЗА будут мигать (оранжевым цветом), и на дисплее появится надпись «ОСТАНОВКА С ВОДОЙ». Для слива воды и выгрузки белья необходимо нажать кнопку ПУСК/ПАУЗА или кнопку ЛЕГКАЯ ГЛАЖКА.

! Функция не может быть включена с программами , , , , «Слив».

Короткий цикл

Сокращает время стирки, гарантируя также экономию воды и электроэнергии.

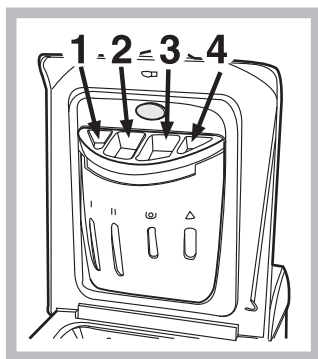
! Функция не может быть включена с программами , , , .

Моющие средства и типы белья

CIS

Распределитель моющих средств

Хороший результат стирки зависит также от правильной дозировки моющего средства: его избыток не гарантирует более эффективную стирку, напротив может привести к образованию налетов внутри машины и загрязнению окружающей среды.



Выдвиньте распределитель и заполните его отделение моющим средством и смягчителем:

Отделение 1: моющее средство для предварительной стирки (порошок)

ячейка 2: Стиральное вещество (порошок или жидкость)

Жидкое стиральное вещество следует помещать непосредственно в барабан в специальном круглом пластмассовом дозаторе.

ячейка 3: Добавки (ополаскиватель и т.д.)

Когда вы наливаете ополаскиватель в ячейку **3**, обращайте внимание, чтобы не превысить максимальный уровень, указанный отметкой «max». Ополаскиватель автоматически подается в барабан в процессе последнего ополаскивания. По завершении программы стирки в ячейке **3** остается вода. Она необходима для подачи в барабан очень густых ополаскивателей, т.е. для разбавления концентрированных ополаскивателей. Если в ячейке **3** останется воды больше нормального, это значит, что канал слива ополаскивателя в барабан засорился. Смотрите описание чистки ячеек на стр. «Техническое обслуживание и уход».

ячейка 4: Цикл отбеливания

Подготовка белья

- Разделите белье по следующим признакам:
 - тип ткани / обозначения на этикетке.
 - цвет: отделите цветное белье от белого.
- Выньте из карманов все предметы и проверьте пуговицы.
- Не превышайте максимальную загрузку барабана, указанную для сухого белья:
 - Прочные ткани: макс. 6 кг
 - Синтетические ткани: макс. 2,5 кг
 - Деликатные ткани: макс. 2 кг
 - Шерсть: макс. 1 кг
 - Шелк: макс. 1 кг

Сколько весит белье?

- 1 простыня 400-500 гр.
- 1 наволочка 150-200 гр.
- 1 скатерть 400-500 гр.
- 1 халат 900-1200 гр.
- 1 полотенце 150-250 гр.

Специальные программы

Mix 30 мин: предназначена для быстрой стирки слабозагрязненного белья цикл длится всего 30 минут, что позволяет сэкономить время и электроэнергию. По этой программе (🌀, 30°C) можно стирать вместе белье из разных тканей (за исключением шерсти и шелка) с максимальной загрузкой 3 кг.

Mix 15 мин: предназначена для быстрой стирки слабозагрязненного белья цикл длится всего 15 минут, что позволяет сэкономить время и электроэнергию. По этой программе (🌀, 30°C) можно стирать вместе белье из разных тканей (за исключением шерсти и шелка) с максимальной загрузкой 1,5 кг.

Детское белье: Программа удаляет типичные загрязнения детской одежды, гарантируя удаление моющего средства из ткани во избежание аллергии чувствительной детской кожи. Данный 🧴 цикл рассчитан на сокращение количества бактерий благодаря использованию большего объема воды и оптимизируя воздействие специальных дезинфицирующих добавок старильного вещества.

Шелк: используйте специальную программу 🧴 для стирки всех шелковых вещей. Рекомендуется использовать специальное стиральное вещество для деликатных тканей.

Занавески: сверните и положите в наволочку или в сетчатый мешочек. Используйте программу 🧴.

Шерсть: Стиральная машина марки единственная получила престижный знак Woolmark Platinum Care (M.0508) от Компании The Woolmark Company, который сертифицирует машинную стирку всех шерстяных изделий, даже тех, на этикетках которых указано «только ручная стирка» 🧴. При выборе программы 🌀 вы можете надежно и эффективно стирать любые шерстяные изделия (макс. 1 кг) с гарантированным лучшими результатами.

Предосторожности и рекомендации

! Стиральная машина спроектирована и изготовлена в соответствии с международными нормативами по безопасности. Необходимо внимательно прочитать настоящие предупреждения, составленные в целях вашей безопасности.

Общие требования к безопасности

- Данное изделие предназначено исключительно для домашнего использования.
- Не разрешайте пользоваться машиной лицам (включая детей) с ограниченными физическими, сенсорными, умственными способностями и не обладающих достаточными знаниями и опытом, если только они не пользуются машиной под наблюдением и после инструктажа со стороны лиц, ответственных за их безопасность. Не разрешайте детям играть с машиной.
- Не прикасайтесь к изделию влажными руками, босиком или во влажной одежде.
- Не тяните за сетевой кабель для отсоединения изделия из электро розетки, возьмитесь за вилку рукой.
- Избегайте контактов со сливаемой водой, так как она может быть очень горячей.
- Категорически запрещается открывать люк силой: это может привести к повреждению защитного механизма, предохраняющего от случайного открытия машины.
- В случае неисправности категорически запрещается открывать внутренние механизмы изделия с целью их самостоятельного ремонта.
- Избегайте контактов детей с работающей стиральной машиной.
- При необходимости переместить стиральную машину следует выполнять эту операцию вдвоем или втроем с предельной осторожностью. Никогда не перемещайте машину в одиночку, так как машина очень тяжелая.
- Перед загрузкой в стиральную машину белья проверьте, чтобы барабан был пуст.

Утилизация

- Уничтожение упаковочных материалов: соблюдайте местные нормативы с целью повторного использования упаковочных материалов.
- Согласно Европейской Директиве 2002/96/CE касательно утилизации электронных и электрических электроприборов электроприборы не должны выбрасываться вместе с обычным городским мусором. Выведенные из строя приборы должны собираться отдельно для оптимизации их утилизации и рекуперации составляющих их материалов, а также для безопасности окружающей среды и здоровья. Символ зачеркнутая мусорная корзина, имеющийся на всех приборах,

служит напоминанием об их отдельной утилизации. За более подробной информацией о правильной утилизации бытовых электроприборов пользователи могут обратиться в специальную государственную организацию или в магазин.

Экономия энергии и охрана окружающей среды

Экономия моющих средств, воды, электроэнергии и времени

- Для экономии ресурсов следует максимально загружать стиральную машину. Один цикл стирки при полной загрузке вместо двух циклов с наполовину загруженным барабаном позволяет сэкономить до 50% электроэнергии.
- Цикл предварительной стирки необходим только для очень грязного белья. При цикле предварительной стирки расходуется больше стирального порошка, времени, воды и на 5 – 15% больше электроэнергии.
- Если вы обрабатываете пятна пятновыводителем или замочите белье перед стиркой, это поможет избежать стирки при высоких температурах. Использование программы стирки при 60°C вместо 90°C, или 40°C вместо 60°C позволяет сэкономить до 50% электроэнергии.
- Правильная дозировка стирального порошка в зависимости от жесткости воды, степени загрязнения и объема загружаемого белья помогает избежать нерационального расхода моющего средства и загрязнения окружающей среды: хотя стиральные порошки и являются биоразлагаемыми, они содержат вещества, отрицательно влияющие на экологию. Кроме того, по возможности избегайте использовать ополаскиватели.
- Использование стиральной машины утром или вечером уменьшит пиковую нагрузку на электросеть. С помощью функции «ЗАДЕРЖКА ЗАПУСКА» можно запрограммировать начало стирки с вышеуказанной целью.
- Если белье должно сушиться в автоматической сушке, необходимо выбрать большую скорость отжима. Интенсивный отжим экономит время и электроэнергию при автоматической сушке.

Техническое обслуживание и уход

CIS

Отключение воды и электричества

- Перекрывайте водопроводный кран после каждой стирки. Таким образом сокращается износ водопроводной системы стиральной машины и устраняется вероятность протечек.
- Всегда вынимайте вилку из розетки перед мойкой и обслуживанием машины.

Уход за стиральной машиной

Внешние и резиновые части машины очищайте мягкой тканью с теплой мыльной водой. Не используйте растворители или абразивные чистящие средства.

Уход за дверцей машины и барабаном

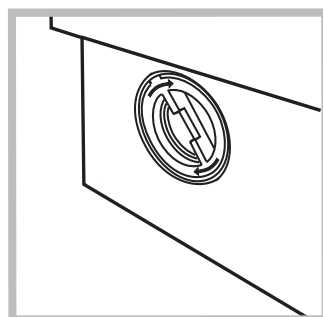
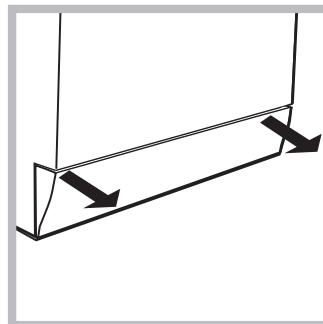
- После каждой стирки оставляйте дверцу машины полуоткрытой во избежание образования в барабане неприятных запахов и плесени.

Чистка насоса

Стиральная машина имеет сливной насос самоочищающегося типа, который не требует очистки или особого обслуживания. Однако мелкие предметы (монеты, пуговицы и др.) могут случайно попасть в насос. Для их извлечения насос оборудован «уловителем» — фильтром, доступ к которому закрыт нижней передней панелью.

! Убедитесь, что цикл стирки закончился, и отключите оборудование от сети.

Как достать предметы, упавшие в пространство между барабаном и кожухом машины:



1. снимите нижний плинтус в передней части стиральной машины, потянув обеими руками за его края (смотрите рисунок);
2. выверните крышку фильтра, вращая ее против часовой стрелки (см. рис.): из насоса может вылиться немного воды – это нормальное явление.
3. тщательно прочистите фильтр изнутри;
4. заверните крышку обратно;
5. установите на место переднюю панель, предварительно

убедившись, что крюки вошли в соответствующие петли.

Проверка заливного шланга

Проверяйте шланг не реже одного раза в год. При любых признаках течи или повреждения немедленно замените шланг. Во время работы машины неисправный шланг, находящийся под давлением воды, может внезапно лопнуть.

! Никогда не используйте шланги, бывшие в употреблении.

Как чистить распределитель моющих средств

Разборка:

Слегка нажмите на большую кнопку на передней стороне распределителя и вытяните его вверх (рис. 1, 2).

Чистка:

Затем промойте распределитель под струей воды (рис. 3), используя старую зубную щетку. Выньте пару сифонов, вставленных в вершину отделений 1 и 2 (рис. 4), проверьте не забиты ли они и промойте их.

Сборка:

Установите пару сифонов в специальные отверстия и затем поместите распределитель на место, вставляя его до щелчка (рис. 4, 2, 1).



рис. 1

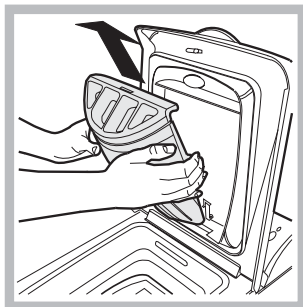


рис. 2

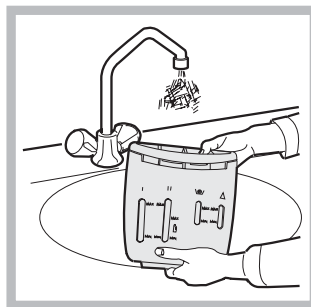


рис. 3

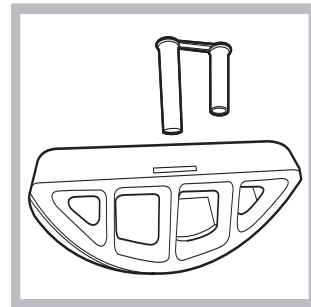


рис. 4

Поиск неисправностей и методы их устранения

Если ваша стиральная машина не работает. Прежде чем обратиться в Центр Сервисного обслуживания (см. *Сервисное обслуживание*), проверьте, можно ли устранить неисправность, следуя рекомендациям, приведенным в следующем перечне.

Неисправности:

Возможные причины / Методы устранения:

Стиральная машина не включается.

- Штепсельная вилка не соединена с электро розеткой или отходит и не обеспечивает контакта.
- В доме отключено электричество.

Цикл стирки не запускается.

- Люк плохо закрыт.
- Не была нажата кнопка ВКЛЮЧЕНИЕ/ВЫКЛЮЧЕНИЕ.
- Не была нажата кнопка ПУСК/ПАУЗА.
- Перекрыт водопроводный кран.
- Была запрограммирована задержка запуска цикла (Задержка запуска, (см. *“Порядок выполнения цикла стирки”*)).

Стиральная машина не заливает воду (На дисплее показывается сообщение «Вода слита, открыть кран»).

- Водопроводный шланг не подсоединен к крану.
- Шланг согнут.
- Перекрыт водопроводный кран.
- В доме нет воды.
- Недостаточное водопроводное давление.
- Не была нажата кнопка ПУСК/ПАУЗА.

Машина непрерывно заливает и сливает воду.

- Сливной шланг не находится на высоте 65 – 100 см. от пола (см. *«Установка»*).
- Конец сливного шланга погружен в воду (см. *«Установка»*).
- Настенное сливное отверстие не оснащено вантузом для выпуска воздуха.

Если после вышеперечисленных проверок неисправность не будет устранена, следует перекрыть водопроводный кран, выключить стиральную машину и обратиться в Центр Сервисного Обслуживания. Если ваша квартира находится на последних этажах здания, могут наблюдаться явления сифона, поэтому стиральная машина производит непрерывный залив и слив воды. Для устранения этой аномалии в продаже имеются специальные клапаны против явления сифона.

Стиральная машина не сливает воду и не отжимает белье.

- Выбранная программа не предусматривает слив воды: для некоторых программ необходимо включить слив вручную.
- Включена функция ЛЕГКАЯ ГЛАЖКА: для завершения программы нажмите кнопку ПУСК/ПАУЗА (см. *«Программы и функции»*).
- Сливной шланг согнут (см. *«Установка»*).
- Засорен сливной трубопровод.

Стиральная машина сильно вибрирует в процессе отжима.

- В момент установки стиральной машины барабан был разблокирован неправильно (см. *«Установка»*).
- Стиральная машина установлена неровно (см. *«Установка»*).
- Машина зажата между стены и мебелью (см. *«Установка»*).

Утечки воды из стиральной машины.

- Плохо прикручен водопроводный шланг (см. *«Установка»*).
- Засорен распределитель моющего средства (порядок его чистки см. в параграфе *«Техническое обслуживание и уход»*).
- Сливной шланг плохо закреплен (см. *«Установка»*).

Машина заблокирована, дисплей мигает и показывает код неисправности (наприм., F-01, F-..).

- Выключите машину и выньте штепсельную вилку из сетевой розетки, подождите 1 минуту и вновь включите машину. Если неисправность не устраняется, обратитесь в Сервисную Службу.

В процессе стирки образуется слишком обильная пена.

- Моющее средство непригодно для стирки в стиральной машине (на упаковке должно быть указано «для стирки в стиральной машине», «для ручной и машинной стирки» или подобное).
- В распределитель было помещено чрезмерное количество моющего средства.

Перед тем как обратиться в Службу Сервиса:

- Проверьте, нельзя ли устранить неисправность самостоятельно (см. «Неисправности и методы их устранения»);
- Вновь запустите программу для проверки исправности машины;
- В противном случае обратиться в Авторизованный Сервисный Центр по телефонам, указанным в гарантийном таллоне.

! Никогда не обращайтесь к неавторизованным сервисным центрам.

При обращении в Сервисную Службу необходимо сообщить:

- тип неисправности;
- номер гарантийного документа (сервисной книжки, сервисного сертификата и т.п.);
- модель машины (Мод.) и серийный номер (S/N), указанные в информационной табличке, расположенной на задней панели стиральной машины.

Технические характеристики	
Модель	ARTXD 109
Страна-изготовитель	Италия
Габаритные размеры	ширина 40 см высота 85 см глубина 60 см
Вместимость	1 - 6 кг
Номинальное значение напряжения электропитания или диапазон напряжения	220-240 V ~
Условное обозначение рода электрического тока или номинальная частота переменного тока	50 Hz
Класс защиты от поражения электрическим током	ККласс защиты I
Водопроводное подсоединение	max давление 1 Мпа (10 бар) min давление 0,05 Мпа (0,5 бар) объем барабана 42 л
Скорость отжима	до 1000 об/мин
Программы управления в соответствии с Директивой EN 60456	программа  ; температура 60°C; при загрузке до 6 кг.
Вместимость	    Данное изделие соответствует следующим Директивам Европейского Сообщества: - 2004/108/CE (Электромагнитная совместимость); - 2006/95/CE (Низкое напряжение); - 2002/96/CE
Дата производства данной техники можно получить из серийного номера, расположенного под штрих-кодом (S/N XXXXXXXXX), следующим образом	- 1-ая цифра в S/N соответствует последней цифре года, - 2-ая и 3-я цифры в S/N - порядковому номеру месяца года, - 4-ая и 5-ая цифры в S/N - день
Класс энергопотребления	А
	Степень защиты от попадания твердых частиц и влаги, обеспечиваемая защитной оболочкой, за исключением низковольтного оборудования, не имеющего защиты от влаги: IPX04

Производитель: Indesit Company
Виале А. Мерлони 47, 60044, Фабриано (АН), Италия

Импортер: ООО "Индезит РУС"

С вопросами (в России) обращаться по адресу: до 01.01.2011: Россия, 129223, Москва, Проспект Мира, ВВЦ, пав. 46
с 01.01.2011: Россия, 127018, Москва, ул. Двинцев, дом 12, корп. 1