

Instructions for use

WASHING MACHINE

GB

GB

English,1

CIS

Русский,13

PT

Português,25

GR

ΕΛΛΗΝΙΚΑ,37

HU

Magyar,49

ARL 105

Contents

Installation, 2-3

Unpacking and levelling
Connecting the electricity and water supplies
The first wash cycle
Technical data

Description of the washing machine and starting a wash cycle, 4-5

Control panel
Indicator lights
Starting a wash cycle

Wash cycles, 6

Table of wash cycles

Personalisation, 7

Setting the temperature
Setting the spin speed
Functions

Detergents and laundry, 8

Detergent dispenser drawer
Bleach cycle
Preparing the laundry
Garments requiring special care
Load balancing system

Precautions and tips, 9

General safety
Disposal
Opening the porthole door manually

Care and maintenance, 10

Cutting off the water or electricity supply
Cleaning the washing machine
Cleaning the detergent dispenser drawer
Caring for the door and drum of your appliance
Cleaning the pump
Checking the water inlet hose

Troubleshooting, 11

Service, 12

 **Hotpoint**
ARISTON

Installation

GB

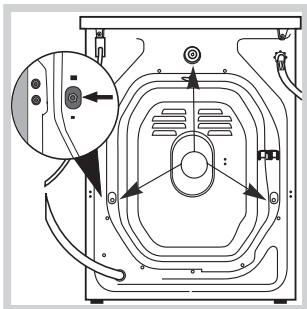
! This instruction manual should be kept in a safe place for future reference. If the washing machine is sold, transferred or moved, make sure that the instruction manual remains with the machine so that the new owner is able to familiarise himself/herself with its operation and features.

! Read these instructions carefully: they contain vital information relating to the safe installation and operation of the appliance.

Unpacking and levelling

Unpacking

1. Remove the washing machine from its packaging.
2. Make sure that the washing machine has not been damaged during the transportation process. If it has been damaged, contact the retailer and do not proceed any further with the installation process.



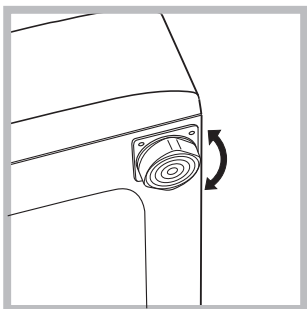
3. Remove the 3 protective screws (used during transportation) and the rubber washer with the corresponding spacer, located on the rear part of the appliance (see figure).

4. Close off the holes using the plastic plugs provided.
5. Keep all the parts in a safe place: you will need them again if the washing machine needs to be moved to another location.

! Packaging materials should not be used as toys for children.

Levelling

1. Install the washing machine on a flat sturdy floor, without resting it up against walls, furniture cabinets or anything else.

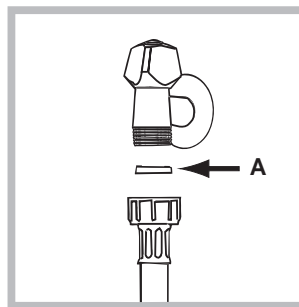


2. If the floor is not perfectly level, compensate for any unevenness by tightening or loosening the adjustable front feet (see figure); the angle of inclination, measured in relation to the worktop, must not exceed 2°.

Levelling the machine correctly will provide it with stability, help to avoid vibrations and excessive noise and prevent it from shifting while it is operating. If it is placed on carpet or a rug, adjust the feet in such a way as to allow a sufficient ventilation space underneath the washing machine.

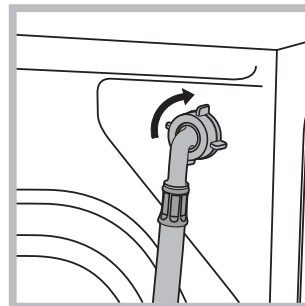
Connecting the electricity and water supplies

Connecting the water inlet hose



1. Insert seal A into the end of the inlet hose and screw the latter onto a cold water tap with a 3/4 gas threaded opening (see figure).

Before performing the connection, allow the water to run freely until it is perfectly clear.



2. Connect the inlet hose to the washing machine by screwing it onto the corresponding water inlet of the appliance, which is situated on the top right-hand side of the rear part of the appliance (see figure).

3. Make sure that the hose is not folded over or bent.

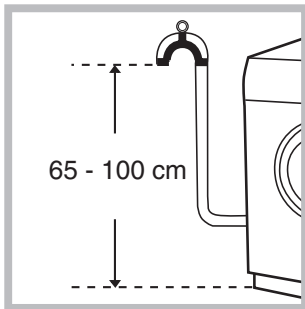
! The water pressure at the tap must fall within the values indicated in the Technical details table (see next page).

! If the inlet hose is not long enough, contact a specialised shop or an authorised technician.

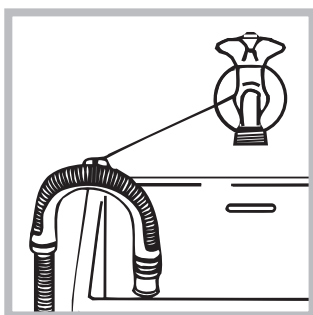
! Never use second-hand hoses.

! Use the ones supplied with the machine.

Connecting the drain hose



Connect the drain hose, without bending it, to a drainage duct or a wall drain located at a height between 65 and 100 cm from the floor;



alternatively, rest it on the side of a washbasin or bathtub, fastening the duct supplied to the tap (see figure). The free end of the hose should not be underwater.

! We advise against the use of hose extensions; if it is absolutely necessary, the extension must have the same diameter as the original hose and must not exceed 150 cm in length.

Electrical connections

Before plugging the appliance into the electricity socket, make sure that:

- the socket is earthed and complies with all applicable laws;
- the socket is able to withstand the maximum power load of the appliance as indicated in the Technical data table (see opposite);
- the power supply voltage falls within the values indicated in the Technical data table (see opposite);
- the socket is compatible with the plug of the washing machine. If this is not the case, replace the socket or the plug.

! The washing machine must not be installed outdoors, even in covered areas. It is extremely dangerous to leave the appliance exposed to rain, storms and other weather conditions.

! When the washing machine has been installed, the electricity socket must be within easy reach.

! Do not use extension cords or multiple sockets.

! The cable should not be bent or compressed.

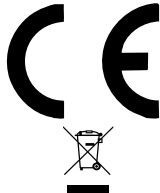
! The power supply cable must only be replaced by authorised technicians.

Warning! The company shall not be held responsible in the event that these regulations are not respected.

The first wash cycle

Once the appliance has been installed, and before you use it for the first time, run a wash cycle with detergent and no laundry, using the wash cycle 2.

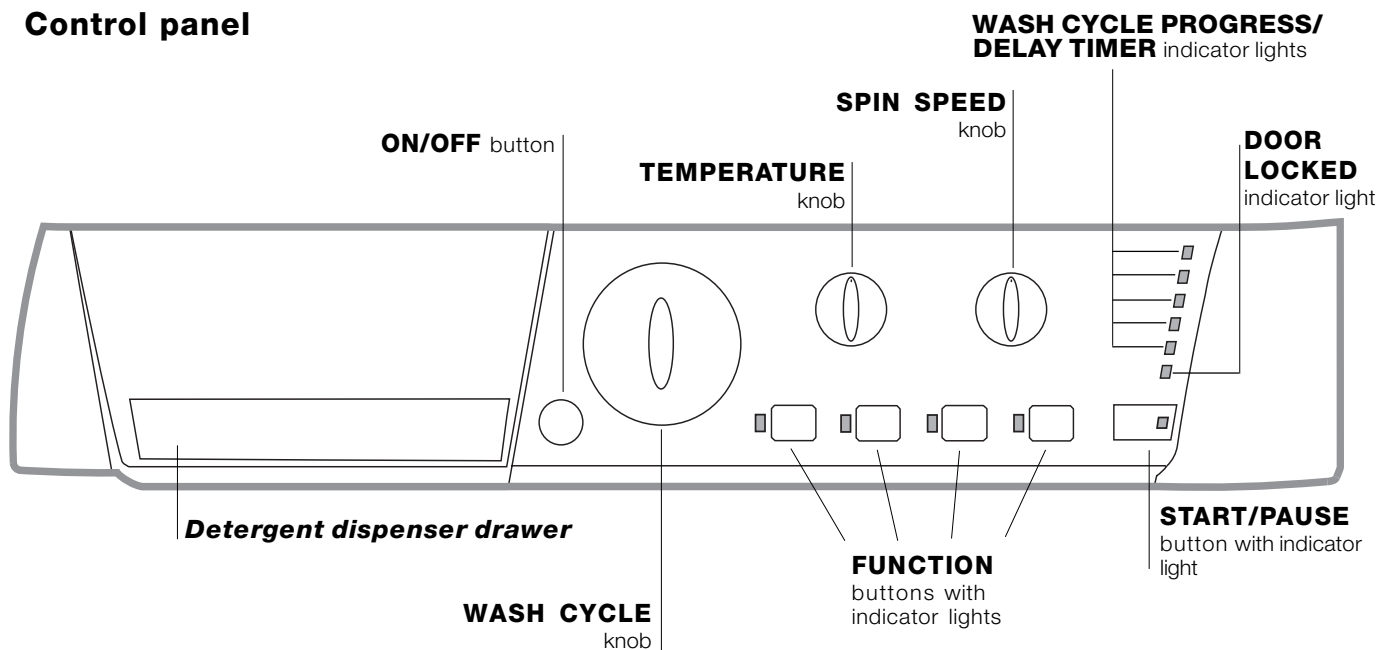
Technical data

Model	ARL 105
Dimensions	width 59.5 cm height 85 cm depth 52,5 cm
Capacity	from 1 to 5 kg
Electrical connections	please refer to the technical data plate fixed to the machine
Water connections	maximum pressure 1 MPa (10 bar) minimum pressure 0.05 MPa (0.5 bar) drum capacity 46 litres
Spin speed	up to 1000 rotations per minute
Energy rated programmes according to regulation EN 60456	programme 7; temperature 60°C; using a load of 5 kg.
	This appliance conforms to the following EC Directives: - 89/336/EEC dated 03/05/89 (Electromagnetic Compatibility) and subsequent modifications - 2002/96/EC - 2006/95/EC (Low Voltage)

Description of the washing machine and starting a wash cycle

GB

Control panel



Detergent dispenser drawer: used to dispense detergents and washing additives (see “Detergents and laundry”).

There is a key which provides a summary of the available wash cycles inside the detergent dispenser drawer; this may be consulted at any time.

ON/OFF button: switches the washing machine on and off.

WASH CYCLE knob: programmes the wash cycles. During the wash cycle, the knob does not move.

FUNCTION buttons with indicator light: used to select the available functions. The indicator light corresponding to the selected function will remain lit.

TEMPERATURE knob: sets the temperature or the cold wash cycle (see “Personalisation”).

SPIN SPEED knob: sets the spin speed or exclude the spin cycle completely (see “Personalisation”).

WASH CYCLE PROGRESS/DELAY TIMER


indicator lights: used to monitor the progress of the wash cycle.

The illuminated indicator light shows which phase is in progress.

If the Delay Timer function has been set, the time remaining until the wash cycle starts will be indicated (see next page).

DOOR LOCKED indicator light: indicates whether the door may be opened or not (see next page).

START/PAUSE button with indicator light: starts or temporarily interrupts the wash cycles.

N.B. To pause the wash cycle in progress, press this button; the corresponding indicator light will flash orange, while the indicator light for the current wash cycle phase will remain lit in a fixed manner. If the DOOR LOCKED  indicator light is switched off, the door may be opened.

To start the wash cycle from the point at which it was interrupted, press this button again.

Indicator lights

The indicator lights provide important information. This is what they can tell you:

Delayed start

If the DELAY TIMER function has been activated (see "Personalisation"), after the wash cycle has been started the indicator light corresponding to the selected delay period will begin to flash:



As time passes, the remaining delay will be displayed and the corresponding indicator light will flash:



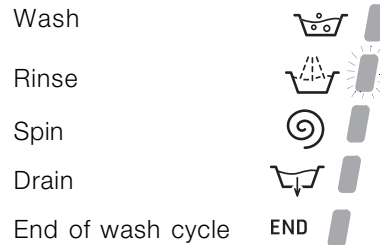
Once the set delay has elapsed, the flashing indicator light will switch off and the selected wash cycle will begin.

Starting a wash cycle

1. Switch the washing machine on by pressing the ON/OFF button. All indicator lights will switch on for a few seconds, then they will switch off and the START/PAUSE indicator light will pulse.
2. Load the laundry and close the door.
3. Set the WASH CYCLE knob to the desired programme.
4. Set the washing temperature (see "Personalisation").
5. Set the spin speed (see "Personalisation").
6. Measure out the detergent and washing additives (see "Detergents and laundry").
7. Select the desired functions.
8. Start the wash cycle by pressing the START/PAUSE button and the corresponding indicator light will remain lit in a fixed manner, in green.
To cancel the set wash cycle, pause the machine by pressing the START/PAUSE button and select a new cycle.
9. At the end of the wash cycle the END indicator light will switch on. The DOOR LOCKED indicator light will switch off, indicating that the door may be opened. Take out your laundry and leave the appliance door ajar to make sure the drum dries completely.
Switch the washing machine off by pressing the ON/OFF button.

Wash cycle phase indicator lights

Once the desired wash cycle has been selected and has begun, the indicator lights switch on one by one to indicate which phase of the cycle is currently in progress.



Function buttons and corresponding indicator lights

When a function is selected, the corresponding indicator light will illuminate.

If the selected function is not compatible with the programmed wash cycle, the corresponding indicator light will flash and the function will not be activated. If a function which is incompatible with another function selected previously, only the most recent selection will remain active.

Door locked indicator light

If this indicator light is on, the appliance door is locked to prevent it from being opened accidentally; to avoid any damage, wait for the indicator light to switch off before you open the appliance door.

N.B. If the DELAY TIMER function is activated, the door cannot be opened; pause the machine by pressing the START/PAUSE button if you wish to open it.

! If the START/PAUSE indicator light (orange) flashes rapidly at the same time as the function indicator light, this indicates a problem has occurred (see "Troubleshooting").

Wash cycles

GB

Table of wash cycles

Wash cycles	Description of the wash cycle	Max. temp. (°C)	Max. speed (rpm)	Detergents			Max. load (kg)	Cycle duration
				Bleach	Wash	Fabric softener		
Special cycles								
7	Sanitizing cycle 90°: Extremely soiled whites.	90°	1000	●	●	●	5	165
7	Sanitizing cycle 90° (1): Heavily soiled whites and resistant colours.	60°	1000	-	●	●	5	133
8	Goodnigt cycle: Lightly soiled delicate colours.	40°	800	-	●	●	3	288
9	Baby cycle: Heavily soiled delicate colours.	40°	800	-	●	●	2	118
10	Shirts	40°	600	-	●	●	2	69
11	Silk/Curtains: For garments in silk and viscose, lingerie.	30°	0	-	●	●	1	55
12	Wool: For wool, cashmere, etc.	40°	600	-	●	●	1	55
Everyday wash cycles (Daily)								
1	Cotton + Prewash 90°: Extremely soiled whites.	90°	1000	-	●	●	5	155
2	Cotton: Heavily soiled whites and resistant colours.	60°	1000	●	●	●	5	119
2	Cotton (2): Heavily soiled whites and delicate colours.	40°	1000	●	●	●	5	115
3	Coloured Cottons (3): Lightly soiled whites and delicate colours.	40°	1000	●	●	●	5	85
4	Synthetics resistents: Heavily soiled resistant colours.	60°	800	-	●	●	2,5	85
4	Synthetics delicates: Lightly soiled resistant colours.	40°	800	-	●	●	2,5	70
5	Mix 30': To refresh lightly soiled garments quickly (not suitable for wool, silk and clothes which require washing by hand).	30°	800	-	●	●	3	30
6	Mix 15': To refresh lightly soiled garments quickly (not suitable for wool, silk and clothes which require washing by hand).	30°	800	-	●	●	1,5	15
Partials wash cycles								
A	Rinse	-	1000	-	-	●	5	36
B	Spin	-	1000	-	-	-	5	16
C	Light spin	-	800	-	-	-	2,5	12
D	Drain no spin	-	0	-	-	-	5	2

The information contained in the table is intended as a guide only.

For all Test Institutes:

- 1) Test wash cycle in compliance with regulation EN 60456: set wash cycle 7 with a temperature of 60°C.
- 2) Long wash cycle for cottons: set wash cycle 2 with a temperature of 40°C.
- 3) Short wash cycle for cottons: set wash cycle 3 with a temperature of 40°C.

Specials wash cycles

Sanitizing cycle (wash cycle 7). A high-temperature hygienic wash cycle (over 60°C) which requires the use of bleach. Pour the bleach, the detergent and the additives into the relevant compartments (see paragraph entitled "Detergent dispenser drawer").

Goodnigt cycle (wash cycle 8). This is a silent cycle which can be run at night, when the electricity prices are lower. The wash cycle is designed for cottons and synthetics. At the end of the cycle the machine stops while there is still water in the drum; to spin and drain the laundry press the START/PAUSE button; alternatively the machine will perform the spin cycle and drain the water automatically after 8 hours.

Baby cycle (wash cycle 9). This wash cycle can be used to remove the soiling typically caused by babies, while ensuring that all detergent is removed from nappies in order to prevent the delicate skin of babies from suffering allergies. The cycle has been designed to reduce the amount of bacteria by using a greater quantity of water and optimising the effect of special disinfecting additives added to the detergent.

At the end of the wash cycle, the machine will slowly rotate the drum to prevent the formation of creases; to end the cycle press the START/PAUSE button.

Mix 30' (wash cycle 5) this wash cycle was designed to wash lightly soiled garments quickly: it lasts just 30 minutes and therefore saves both energy and time. By selecting this wash cycle (5 at 30°C), it is possible to wash different fabrics together (except for wool and silk items), with a maximum load of 3 kg.

Mix 15'(wash cycle 6) this wash cycle was designed to wash lightly soiled garments quickly: it lasts just 15 minutes and therefore saves both energy and time. By selecting this wash cycle (6 at 30°C), it is possible to wash different fabrics together (except for wool and silk items), with a maximum load of 1.5 kg.

Setting the temperature

Turn the TEMPERATURE knob to set the wash temperature (see *Table of wash cycles*).

The temperature may be lowered, or even set to a cold wash (❄).

The washing machine will automatically prevent you from selecting a temperature which is higher than the maximum value set for each wash cycle.

Setting the spin speed

Turn the SPIN SPEED knob to set the spin speed for the selected wash cycle.

The maximum spin speeds available for each wash cycle are as follows:

Wash cycles	Maximum spin speed
Cottons	1000 rpm
Synthetics	800 rpm
Wool	600 rpm
Silk	drain only

The spin speed may be lowered, or the spin cycle can be excluded altogether by selecting the symbol (⊘).

The washing machine will automatically prevent you from selecting a spin speed which is higher than the maximum speed set for each wash cycle.

Functions

The various wash functions available with this washing machine will help to achieve the desired results, every time.

To activate the functions:

1. Press the button corresponding to the desired function;
2. the function is enabled when the corresponding indicator light is illuminated.

Note: If the indicator light flashes rapidly, this signals that this particular function may not be selected in conjunction with the selected wash cycle.

Delay timer

This timer delays the start time of the wash cycle by up to 12 hours.

Press the button repeatedly until the indicator light corresponding to the desired delay time switches on. The fifth time the button is pressed, the function will be disabled.

N.B. Once you have pressed the START/PAUSE button, the delay time may only be decreased if you wish to modify it.

! This option is enabled with all programmes.

Easy iron

By selecting this function, the wash and spin cycles will be modified in order to reduce the formation of creases. At the end of the cycle the washing machine will perform slow rotations of the drum; the EASY IRON and START/PAUSE indicator lights will flash (orange) and the END phase will remain lit in a fixed manner. To end the cycle, press the START/PAUSE button or the EASY IRON button.

For the **Silk** wash cycle, the machine will end the cycle while the laundry is soaking, the EASY IRON and START/PAUSE indicator lights will flash (orange) and the RINSE phase will remain lit in a fixed manner. To drain the water so that the laundry may be removed, press the START/PAUSE button or the EASY IRON button.

! This function may not be used in conjunction with wash cycles 5, 6, 7, 8, 9, 12, B, C, D.

Extra rinse

By selecting this function, the efficiency of the rinse is increased and optimal detergent removal is guaranteed. It is particularly useful for sensitive skin.

! This function may not be used in conjunction with wash cycles 5, 6, C, B, C, D.

Super Wash

Because a greater quantity of water is used in the initial phase of the cycle, and because of the increased cycle duration, this function offers a high-performance wash.

! This function may not be used in conjunction with wash cycles 5, 6, 7, 11, 12, A, B, C, D.

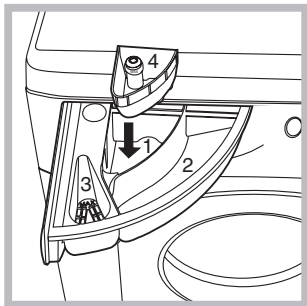
Detergents and laundry

GB

Detergent dispenser drawer

Good washing results also depend on the correct dose of detergent: adding too much detergent will not necessarily result in a more efficient wash, and may in fact cause build up on the inside of your appliance and contribute to environmental pollution.

! Do not use hand washing detergents because these create too much foam.



Open the detergent dispenser drawer and pour in the detergent or washing additive, as follows.

compartment 1: Pre-wash detergent (powder)

Before pouring in the detergent, make sure that extra compartment 4 has been removed.

compartment 2: Detergent for the wash cycle (powder or liquid)

Liquid detergent should only be poured in immediately prior to the start of the wash cycle.

compartment 3: Additives (fabric softeners, etc.)

The fabric softener should not overflow the grid.

extra compartment 4: Bleach

Bleach cycle

Bleaching may only be performed in conjunction with wash cycles **2, 3, 7**.

Pour the bleach into extra compartment **4**; pour the detergent and softener into the corresponding compartments, then select one of the abovementioned wash cycles.

This option is recommended only for very soiled cotton garments.

Preparing the laundry

- Divide the laundry according to:
 - the type of fabric/the symbol on the label
 - the colours: separate coloured garments from whites.
- Empty all garment pockets and check the buttons.
- Do not exceed the listed values, which refer to the weight of the laundry when dry:
 - Durable fabrics: max. 5 kg
 - Synthetic fabrics: max. 2,5 kg
 - Delicate fabrics: max. 2 kg
 - Wool: max. 1 kg

How much does your laundry weigh?

- 1 sheet 400-500 g
- 1 pillow case 150-200 g
- 1 tablecloth 400-500 g
- 1 bathrobe 900-1200 g
- 1 towel 150-250 g

Garments requiring special care


Shirts: use special wash cycle **10** to wash shirts in various fabrics and colours.

It guarantees maximum care is taken of the garments and minimises the formation of creases.

Silk: use special wash cycle **11** to wash all silk garments. We recommend the use of special detergent which has been designed to wash delicate clothes.

Curtains: fold curtains and place them in a pillow case or mesh bag. Use wash cycle **11**.

Wool: Hotpoint/Ariston is the only washing machine manufacturer to have been awarded the prestigious Woolmark Platinum Care endorsement (M.0508) by the Woolmark Company, which means that all woollen garments may be washed in the washing machine, even those which state "hand wash only"

 on the label. Wash cycle **12** therefore offers complete peace of mind when washing woollen garments in the washing machine (max. load 1 kg) and guarantees optimal performance.

Load balancing system

Before every spin cycle, to avoid excessive vibrations and to distribute the load in a uniform manner, the drum rotates continuously at a speed which is slightly greater than the washing rotation speed. If, after several attempts, the load is not balanced correctly, the machine spins at a reduced spin speed. If the load is excessively unbalanced, the washing machine performs the distribution process instead of spinning. To encourage improved load distribution and balance, we recommend small and large garments are mixed in the load.

! This washing machine was designed and constructed in accordance with international safety regulations. The following information is provided for safety reasons and must therefore be read carefully.

General safety

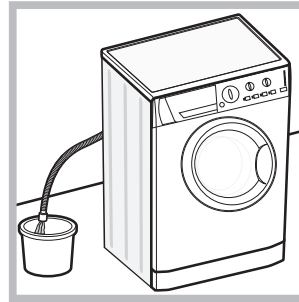
- This appliance was designed for domestic use only.
- The washing machine must only be used by adults, in accordance with the instructions provided in this manual.
- Do not touch the machine when barefoot or with wet or damp hands or feet.
- Do not pull on the power supply cable when unplugging the appliance from the electricity socket. Hold the plug and pull.
- Do not open the detergent dispenser drawer while the machine is in operation.
- Do not touch the drained water as it may reach extremely high temperatures.
- Never force the porthole door. This could damage the safety lock mechanism designed to prevent accidental opening.
- If the appliance breaks down, do not under any circumstances access the internal mechanisms in an attempt to repair it yourself.
- Always keep children well away from the appliance while it is operating.
- The door can become quite hot during the wash cycle.
- If the appliance has to be moved, work in a group of two or three people and handle it with the utmost care. Never try to do this alone, because the appliance is very heavy.
- Before loading laundry into the washing machine, make sure the drum is empty.

Disposal

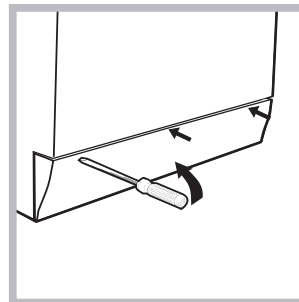
- Disposing of the packaging materials: observe local regulations so that the packaging may be re-used.
 - The European Directive 2002/96/EC on Waste Electrical and Electronic Equipment, requires that old household electrical appliances must not be disposed of in the normal unsorted municipal waste stream. Old appliances must be collected separately in order to optimise the recovery and recycling of the materials they contain and reduce the impact on human health and the environment. The crossed out "wheeled bin" symbol on the product reminds you of your obligation, that when you dispose of the appliance it must be separately collected.
- Consumers should contact their local authority or retailer for information concerning the correct disposal of their old appliance.

Opening the porthole door manually

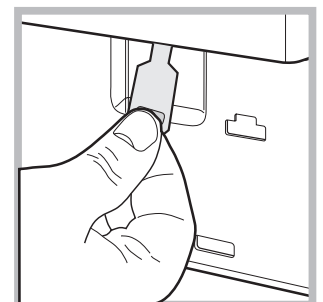
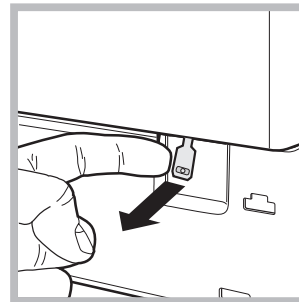
In the event that it is not possible to open the porthole door due to a powercut, and if you wish to remove the laundry, proceed as follows:



1. remove the plug from the electrical socket.
2. make sure the water level inside the machine is lower than the door opening; if it is not, remove excess water using the drain hose, collecting it in a bucket as indicated in the figure.



3. using a screwdriver, remove the cover panel on the lower front part of the washing machine (see figure).



4. pull outwards using the tab as indicated in the figure, until the plastic tie-rod is freed from its stop position; pull downwards and open the door at the same time.

5. reposition the panel, making sure the hooks are securely in place before you push it onto the appliance.

Care and maintenance

GB

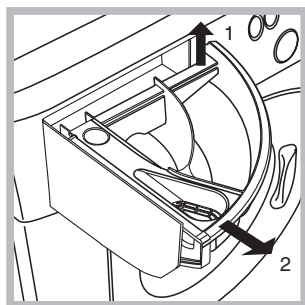
Cutting off the water and electricity supplies

- Turn off the water tap after every wash cycle. This will limit wear on the hydraulic system inside the washing machine and help to prevent leaks.
- Unplug the washing machine when cleaning it and during all maintenance work.

Cleaning the washing machine

The outer parts and rubber components of the appliance can be cleaned using a soft cloth soaked in lukewarm soapy water. Do not use solvents or abrasives.

Cleaning the detergent dispenser drawer



Remove the dispenser by raising it and pulling it out (see figure). Wash it under running water; this operation should be repeated frequently.

Caring for the door and drum of your appliance

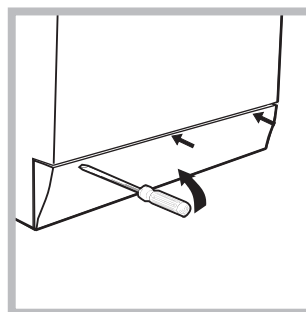
- Always leave the porthole door ajar in order to prevent unpleasant odours from forming.

Cleaning the pump

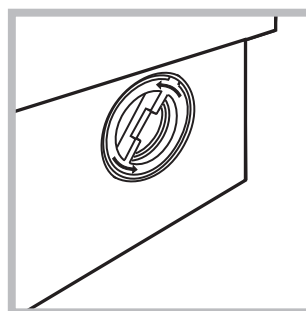
The washing machine is fitted with a self-cleaning pump which does not require any maintenance. Sometimes, small items (such as coins or buttons) may fall into the pre-chamber which protects the pump, situated in its bottom part.

! Make sure the wash cycle has finished and unplug the appliance.

To access the pre-chamber:



1. using a screwdriver, remove the cover panel on the lower front part of the washing machine (see figure);



2. unscrew the lid by rotating it anti-clockwise (see figure): a little water may trickle out. This is perfectly normal;

3. clean the inside thoroughly;
4. screw the lid back on;
5. reposition the panel, making sure the hooks are securely in place before you push it onto the appliance.

Checking the water inlet hose

Check the inlet hose at least once a year. If there are any cracks, it should be replaced immediately: during the wash cycles, water pressure is very strong and a cracked hose could easily split open.

! Never use second-hand hoses.

Your washing machine could fail to work. Before contacting the Technical Assistance Centre (see “Assistance”), make sure that the problem cannot be not solved easily using the following list.

Problem:

Possible causes / Solutions:

The washing machine does not switch on.

- The appliance is not plugged into the socket fully, or is not making contact.
- There is no power in the house.

The wash cycle does not start.

- The washing machine door is not closed properly.
- The ON/OFF button has not been pressed.
- The START/PAUSE button has not been pressed.
- The water tap has not been opened.
- A delayed start has been set (see “Personalisation”).

The washing machine does not take in water (the indicator light for the first wash cycle stage flashes rapidly).

- The water inlet hose is not connected to the tap.
- The hose is bent.
- The water tap has not been opened.
- There is no water supply in the house.
- The pressure is too low.
- The START/PAUSE button has not been pressed.

The washing machine continuously takes in and drains water.

- The drain hose is not fitted at a height between 65 and 100 cm from the floor (see “Installation”).
- The free end of the hose is under water (see “Installation”).
- The wall drainage system is not fitted with a breather pipe.

If the problem persists even after these checks, turn off the water tap, switch the appliance off and contact the Assistance Service. If the dwelling is on one of the upper floors of a building, there may be problems relating to water drainage, causing the washing machine to fill with water and drain continuously. Special anti-draining valves are available in shops and help to avoid this inconvenience.

The washing machine does not drain or spin.

- The wash cycle does not include draining: some wash cycles require the drain phase to be started manually.
- The EASY IRON function has been activated: To complete the wash cycle, press the START/PAUSE button (“Personalisation”).
- The drain hose is bent (see “Installation”).
- The drainage duct is clogged.

The washing machine vibrates a lot during the spin cycle.

- The drum was not unlocked correctly during installation (see “Installation”).
- The washing machine is not level (see “Installation”).
- The washing machine is trapped between cabinets and walls (see “Installation”).

The washing machine leaks.

- The water inlet hose is not screwed on properly (see “Installation”).
- The detergent dispenser drawer is blocked (for cleaning instructions, see “Care and maintenance”).
- The drain hose is not fixed properly (see “Installation”).

The START/PAUSE indicator light (orange) and the function indicator lights flash rapidly.

- Switch off the machine and unplug it, wait for approximately 1 minute and then switch it back on again.
If the problem persists, contact the Technical Assistance Service.

There is too much foam.

- The detergent is not suitable for machine washing (it should display the text “for washing machines” or “hand and machine wash”, or the like).
- Too much detergent was used.

Service

GB

Before calling for Assistance:

- Check whether you can solve the problem alone (see “*Troubleshooting*”);
- Restart the programme to check whether the problem has been solved;
- If this is not the case, contact an authorised Technical Assistance Centre using the telephone number provided on the guarantee certificate.

! Always request the assistance of authorised technicians.

Have the following information to hand:

- the type of problem;
- the appliance model (Mod.);
- the serial number (S/N).

This information can be found on the data plate applied to the rear of the washing machine, and can also be found on the front of the appliance by opening the door.

CIS

Русский

ARL 105

CIS

Содержание

Установка, 14-15

Распаковка и нивелировка
Подключение к водопроводу и электричеству
Первый цикл стирки
Технические характеристики

Описание стиральной машины и порядка запуска программы, 16-17

Панель управления
Индикаторы
Порядок запуска программы

Программы, 18

Таблица программ

Персонализированные настройки, 19

Регулировка температуры
Выбор скорости отжима
Дополнительные функции

Моющие средства и типы белья, 20

Распределитель моющих средств
Отбеливание
Подготовка белья
Изделия, требующие деликатной стирки
Система балансировки белья

Предосторожности и рекомендации, 21

Общие требования к безопасности
Утилизация
Аварийное открытие люка

Техническое обслуживание и уход, 22

Отключение воды и электрического тока
Уход за стиральной машиной
Уход за распределителем моющих средств
Уход за люком и барабаном
Уход за насосом
Проверка водопроводного шланга

Поиск неисправностей и методы их устранения, 23

Сервисное обслуживание, 24

 Hotpoint
ARISTON

Установка

CIS

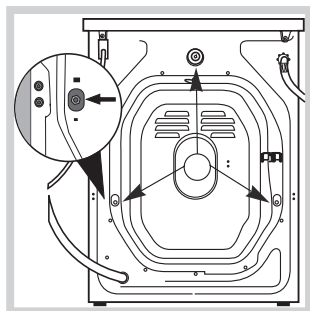
! Важно сохранить данное руководство для его последующего использования в случае продажи, передачи или переезда на новую квартиру необходимо проверить, чтобы руководство оставалось вместе со стиральной машиной, чтобы ее новый владелец мог ознакомиться с порядком ее функционирования и соответствующими предупреждениями.

! Внимательно прочитайте инструкции: в них содержатся важные сведения об установке изделия, его эксплуатации и безопасности.

Распаковка и нивелировка

Снятие упаковки

1. Снимите с машины упаковку.
2. Проверьте, чтобы стиральная машина не была повреждена в процессе перевозки. В случае обнаружения повреждений немедленно обратитесь к поставщику, не подключая машину.



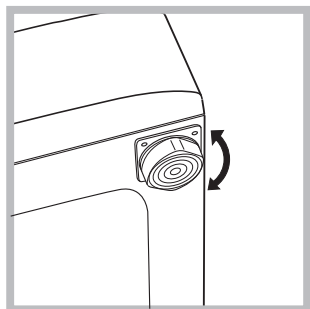
3. Снимите 3 транспортировочных болта, предохраняющие машину в процессе перевозки, и резиновую заглушку с соответствующей распорной шайбой, расположенные в задней части стиральной машины (см. схему).

4. Закройте отверстия прилегающими пластиковыми заглушками.
5. Сохраните все детали: они должны быть установлены на стиральную машину в случае ее перевозки.

! Не разрешайте детям играть с упаковочными материалами.

Нивелировка

1. Установите стиральную машину на ровном и прочном полу, не прислоняя ее к стенам, мебели и прочим предметам.

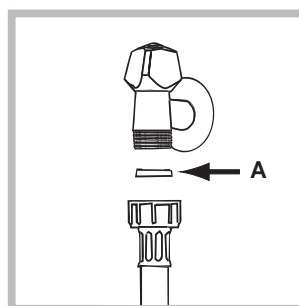


2. Если пол не является идеально горизонтальным, необходимо компенсировать неровность, отрегулировав по высоте передние ножки (см. схему). Уклон, измеренный при помощи уровня, установленного на поверхность машины, не должен превышать 2°.

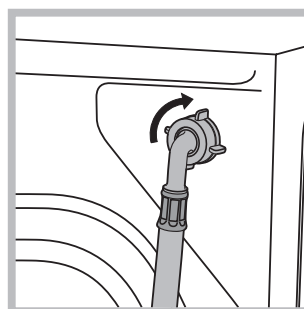
Точная нивелировка обеспечивает стабильность стиральной машины, помогает избежать ее вибраций и смещений в процессе функционирования. В случае установки машины на ковер или ковролин отрегулируйте ножки таким образом, чтобы под стиральной машиной оставался достаточный зазор для вентиляции.

Подключение к водопроводу и электричеству

Порядок подключения к водопроводному шлангу



1. Вставьте прокладку А в конец водопроводного шланга и привинтите его к водопроводному крану холодной воды с резьбовым отверстием 3/4 газ (см. схему). Перед подсоединением откройте водопроводный кран до тех пор, пока из него не потечет чистая вода.



2. Подсоедините водопроводный шланг к машине, привинтив его к специальному водопроводному крану, расположенному в задней верхней части справа (см. схему).

3. Проверьте, чтобы водопроводный шланг не был заломлен или сжат.

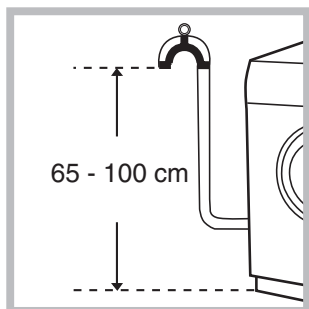
! Давление воды в водопроводном кране должно быть в пределах значений, указанных в таблице Технические данные (см. страницу рядом).

! Если длина водопроводного шланга будет недостаточной, следует обратиться в специализированный магазин или в уполномоченный сервисный центр

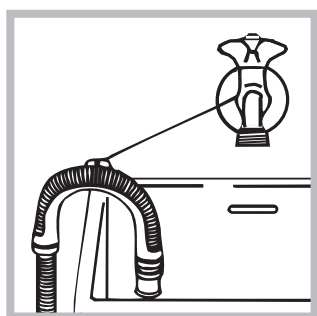
! Никогда не пользуйтесь б/у шлангами.

! Используйте шланги, прилагающиеся к машине.

Подсоединение сливного шланга



Подсоедините сливной шланг, не перегибая его, к сливной трубе или к настенному сливному отверстию, распложенному на высоте от 65 до 100 см от пола,



или поместите шланг в раковину или в ванну, закрепив прилагающуюся направляющую крану (см. схему). Свободный конец сливного шланга не должен быть погружен в воду.

! Не рекомендуется использовать удлинительные шланги. При необходимости удлинение должно иметь такой же диаметр, что и оригинальный шланг, и его длина не должна превышать 150 см.

Подключение к электросети

Перед включением изделия к розетке электросети необходимо проверить следующее:

- розетка электросети должна быть соединена с заземлением и соответствовать нормативам;
- розетка электросети должна быть рассчитана на максимальную мощность стиральной машины, указанную в таблице Технические данные (см. таблицу сбоку);
- напряжение электросети должно соответствовать значениям, указанным в таблице Технические данные (см. таблицу сбоку);
- электрическая розетка должна подходить к штепсельной вилке стиральной машины. В противном случае необходимо заменить розетку.

! Запрещается устанавливать стиральную машину на улице, даже под навесом, так как опасно подвергать ее воздействию дождя и грозы.

! Стиральная машина должна быть расположена таким образом, чтобы доступ к розетке электросети оставался свободным.

! Не используйте удлинители и тройники.

! Сетевой кабель изделия не должен быть согнут или сжат.



! Замена сетевого кабеля может осуществляться только уполномоченными сервисными центрами.

Внимание! Фирма снимает с себя всякую ответственность в случае несоблюдения вышеописанных правил.

Первый цикл стирки

По завершении установки, перед началом эксплуатации необходимо произвести один цикл стирки со стиральным порошком, но без белья, по программе 2.

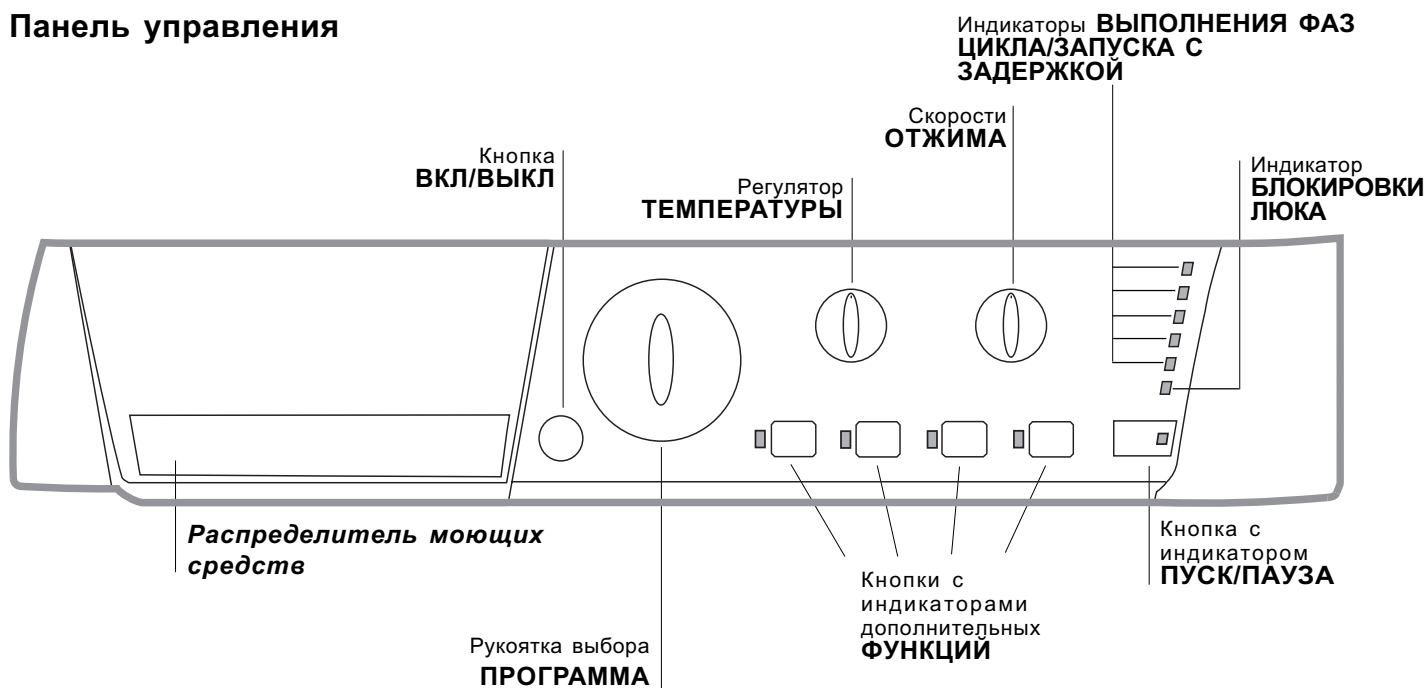
Технические характеристики

Модель	ARL 105
Размеры	ширина 59,5 см высота 85 см глубина 52,5 см
Загрузка	1 - 5 кг
Электрические параметры	смотрите паспортную табличку с техническими характеристиками на машине
Гидравлические параметры	max давление 1 Мпа (10 бар) min давление 0,05 Мпа (0,5 бар) объем барабана 46 л
Скорость отжима	до 1000 об/мин
Контрольные программы согласно нормативу EN 60456	программа 7; температура 60°C; при загрузке до 5 кг.
 	Машина соответствует следующим Директивам Европейского Экономического сообщества: - 89/336 /ЕЕС от 03.05.89 (электромагнитной совместимости) и последующие модификации - 2002/96/CE - 2006/95/CE (низкого напряжения)

Описание стиральной машины и порядка запуска программы

CIS

Панель управления



Распределитель моющих средств: для загрузки стиральных веществ и добавок (см. «Моющие средства и типы белья»). Внутри распределителя моющих средств имеется краткий перечень программ.

Кнопка **ВКЛ/ВЫКЛ:** служит для включения и выключения стиральной машины.

Рукоятка выбора **ПРОГРАММА:** служит для выбора программ. В процессе выполнения программы рукоятка не вращается.

Кнопки с индикаторами дополнительных **ФУНКЦИЙ:** служат для выбора имеющихся дополнительных функций. Индикатор, соответствующий выбранной функции, останется включенным.

Скорости **ОТЖИМА:** служит для выбора скорости отжима или для его исключения (см. «Персонализированные настройки»).

Регулятор **ТЕМПЕРАТУРЫ:** служит для настройки температуры или для стирки в холодной воде (см. «Персонализированные настройки»).

индикаторы **ВЫПОЛНЕНИЯ ФАЗ ЦИКЛА/ ЗАПУСКА С ЗАДЕРЖКОЙ:** показывают последовательность выполнения программы стирки.

Включенный индикатор соответствует текущей фазе.

Если была включена функция «Таймер отсрочки», индикаторы будут показывать время, остающееся до запуска программы (см. *страницу сбоку*).

Индикатор **БЛОКИРОВКИ ЛЮКА:** показывает, можно ли открыть люк (см. *страницу сбоку*).

Кнопка с индикатором **ПУСК/ПАУЗА:** служит для запуска или для временного прерывания программы.

ПРИМЕЧАНИЕ: для временного прерывания текущего цикла стирки нажмите эту кнопку. Соответствующий индикатор замигает оранжевым цветом, а индикатор текущей фазы стирки будет гореть, не мигая. Если индикатор **БЛОКИРОВКИ ЛЮКА** погас, можно открыть люк.

Для возобновления цикла стирки с момента, когда он был прерван, вновь нажмите **ПУСК/ПАУЗА**.

Индикаторы

Индикаторы сообщают пользователю важные сведения. Значение индикаторов:

Таймер отсрочки

Если была включена функция «Таймер отсрочки» (см. «Персонализированные настройки»), после запуска программы начнет мигать индикатор, соответствующий заданному времени задержки:



По мере отсчета времени будет показываться остающееся время вместе с миганием соответствующего индикатора.



По прошествии заданного времени задержки мигающий индикатор погаснет, и запустится заданная программа.

Индикаторы текущей фазы цикла:

После выбора и запуска цикла стирки индикаторы будут загораться один за другим, показывая последовательность выполнения программы:



Кнопки дополнительных функций и соответствующие индикаторы

При выборе функции загорается соответствующая кнопка.

Если выбранная функция является несовместимой с заданной программой, соответствующий индикатор будет мигать, и такая функция не будет включена. Если будет выбрана функция, несовместимая с другой, ранее выбранной функцией, останется включенной только последняя выбранная функция.

Индикатор блокировки люка:

Включенный индикатор означает, что люк заблокирован во избежание его случайного открывания. Во избежание его повреждения необходимо дождаться, когда индикатор погаснет, перед тем как открыть люк.

ПРИМЕЧАНИЕ: если включена функция «Таймер отсрочки», люк открыть нельзя. Для этого необходимо переключить машину в режим паузы при помощи кнопки ПУСК/ПАУЗА.

! Быстрое мигание индикатора ПУСК/ПАУЗА (оранжевый) одновременно с индикатором функций означает неисправность (см. «Неисправности и методы их устранения»).

Порядок запуска программы

1. Включите стиральную машину, нажав кнопку ВКЛ/ВЫКЛ. Все индикаторы загорятся на несколько секунд, затем погаснут, останется мигать индикатор ПУСК/ПАУЗА.
2. Загрузите белье в барабан и закройте люк.
3. Задайте рукояткой ПРОГРАММА нужную программу.
4. Задайте температуру стирки (см. «Персонализированные настройки»).
5. Задайте скорость отжима (см. «Персонализированные настройки»).
6. Поместите моющие средства и добавки (см. «Стиральные вещества и типы белья»).
7. Включите нужные дополнительные функции.
8. Запустите программу при помощи кнопки ПУСК/ПАУЗА, соответствующий индикатор загорится зеленым цветом. Для отмены заданного цикла переключите машину в режим паузы при помощи кнопки ПУСК/ПАУЗА и выберите новый цикл.
9. По завершении программы загорится индикатор END. Индикатор БЛОКИРОВКИ ЛЮКА погаснет, показывая, что теперь можно открыть люк. Выньте белье и оставьте люк полуоткрытым для сушки барабана. Выключите стиральную машину, нажав кнопку ВКЛ/ВЫКЛ.

Программы

CIS

Таблица программ

Программы	Описание программы	Макс. темп. (°C)	Макс. скорость (об./мин.)	Стиральные средства			Макс. загрузка (кг)	Продолжительность цикла
				Отбеливатель	Стирка	Ополаскиватель		
Специальные программы								
7	ЦИКЛ АНТИБАКТЕРИЯ 90°: сильнозагрязненное белое белье.	90°	1000	●	●	●	5	165
7	ЦИКЛ АНТИБАКТЕРИЯ 90° (1): сильнозагрязненное белое и прочное цветное белье.	60°	1000	-	●	●	5	133
8	НОЧНОЙ ЦИКЛ: слабозагрязненное деликатное цветное белье.	40°	800	-	●	●	3	288
9	ДЕТСКОЕ БЕЛЬЕ: сильнозагрязненное деликатное цветное белье.	40°	800	-	●	●	2	118
10	РУБАШКИ	40°	600	-	●	●	2	69
11	ШЕЛК/ЗАНАВЕСКИ: для изделий из шелка, вискозы и нижнего белья.	30°	0	-	●	●	1	55
12	ШЕРСТЬ: для шерсти, кашемира и т.д.	40°	600	-	●	●	1	55
Ежедневные программы								
1	ПРЕДВАРИТЕЛЬНАЯ + ХЛОПОК 90°: очень сильно загрязненное белое белье.	90°	1000	-	●	●	5	155
2	ХЛОПОК: сильнозагрязненное белое и прочное цветное белье.	60°	1000	●	●	●	5	119
2	ХЛОПОК (2): сильнозагрязненное белое и деликатное цветное белье.	40°	1000	●	●	●	5	115
3	ХЛОПОК (3): сильнозагрязненное белое и цветное деликатное белье.	40°	1000	●	●	●	5	85
4	СИНТЕТИКА: сильнозагрязненное прочное цветное белье.	60°	800	-	●	●	2,5	85
4	СИНТЕТИКА: слабозагрязненное прочное цветное белье.	40°	800	-	●	●	2,5	70
5	МИКС 30°: для быстрого освежения малозагрязненного белья (не для шерсти, шелка и изделия ручной стирки).	30°	800	-	●	●	3	30
6	МИКС 15°: для быстрого освежения малозагрязненного белья (не для шерсти, шелка и изделия ручной стирки).	30°	800	-	●	●	1,5	15
Дополнительные программы								
A	Полоскание	-	1000	-	-	●	5	36
B	Отжим	-	1000	-	-	-	5	16
C	Деликатный отжим	-	800	-	-	-	2,5	12
D	Слив	-	0	-	-	-	5	2

Приведенные в таблице значения являются примерными.

Для всех институтов тестирования:

- 1) Программы управления в соответствии с Директивой EN 60456: задайте программу 7 с температурой 60°C.
- 2) Длинная программа для х/б белья: задайте программу 2 с температурой 40°C.
- 3) Короткая программа для х/б белья: задайте программу 3 с температурой 40°C.

Специальные программы

ЦИКЛ АНТИБАКТЕРИЯ (программа 7). Дезинфицирующая программа с высокой температурой, предусматривающая использование отбеливателя при температуре выше 60°C. Для отбеливания залейте отбеливатель, моющее средство и добавки в соответствующие ячейки (см параграф «Распределитель мощных средств»).

НОЧНОЙ ЦИКЛ (программа 8). Это бесшумный цикл, который можно включить ночью, экономя электроэнергию. Данная программа рассчитана на стирку синтетических и х/б вещей. По завершении цикла машина останавливается с водой в барабане; для слива и отжима нажмите кнопку ПУСК/ПАУЗА, в противном случае по прошествии 8 часов машина автоматически произведет слив воды и отжим.

ДЕТСКОЕ БЕЛЬЕ (программа 9). Программа удаляет типичные загрязнения детской одежды, гарантируя удаление моющего средства из ткани во избежание аллергии чувствительной детской кожи. Данный цикл рассчитан на сокращение количества бактерий благодаря использованию большего объема воды и оптимизируя воздействие специальных дезинфицирующих добавок старильного вещества.

По завершении стирки машина продолжит медленно вращать барабан во избежание сминания белья. Для остановки цикла нажмите кнопку ПУСК/ПАУЗА.

МИКС 30° (программа 5) предназначена для быстрой стирки слабозагрязненного белья цикл длится всего 30 минут, что позволяет сэкономить время и электроэнергию. По этой программе (5, 30°C) можно стирать вместе белье из разных тканей (за исключением шерсти и шелка) с максимальной загрузкой 3 кг.

МИКС 15° (программа 6) предназначена для быстрой стирки слабозагрязненного белья цикл длится всего 15 минут, что позволяет сэкономить время и электроэнергию. По этой программе (6, 30°C) можно стирать вместе белье из разных тканей (за исключением шерсти и шелка) с максимальной загрузкой 1,5 кг.

Регулировка температуры

Настройка температуры стирки производится при помощи регулятора ТЕМПЕРАТУРЫ (см. *Таблицу программ*). Значение температуры может быть уменьшено вплоть до стирки в холодной воде (☸).

Машина автоматически не допускает выбор температуры, превышающий максимальное значение, предусмотренное для каждой программы.

Выбор скорости отжима

Выбор скорости отжима выбранной программы производится при помощи регулятора скорости ОТЖИМ. Для разных программ предусматривается разная максимальная скорость отжима:

Программы	Максимальная скорость отжима
Хлопок	1000 оборотов в минуту
Синтетические ткани	800 оборотов в минуту
Шерсть	600 оборотов в минуту
Шелк	без отжима

Скорость отжима может быть уменьшена, или же отжим может быть совсем исключен, повернув регулятор в положение ☸.

Машина автоматически не допускает выбор скорости отжима, превышающий максимальную скорость, предусмотренную для каждой программы.

Дополнительные функции

Различные функции стирки машины позволяют достичь желаемой чистоты и белизны вашего белья.

Порядок выбора функций:

1. нажмите кнопку нужной вам функции;
2. включение соответствующего индикатора означает, что функция включена.

Примечание: Частое мигание индикатора означает, что данная функция не может быть выбрана для заданной программы.

Таймер отсрочки

Задерживает запуск цикла вплоть до 12 часов.

Нажмите кнопку несколько раз вплоть до включения индикатора, соответствующего нужному значению задержки. При пятом нажатии кнопки функция отключается.

ПРИМЕЧАНИЕ: После нажатия кнопки ПУСК/ПАУЗА, можно изменить значение задержки только в сторону уменьшения.

! Эта функция совместима с любой программой.

Легкая глажка

При выборе этой функции циклы стирки и отжима изменяются таким образом, чтобы сократить складки на белье. По завершении цикла машина производит медленное вращение барабана. Индикатор функции ЛЕГКАЯ ГЛАЖКА и индикатор ПУСК/ПАУЗА мигают (оранжевым цветом), индикатор фазы "END" горит, не мигая. Для завершения цикла нажмите кнопку ПУСК/ПАУЗА или кнопку ЛЕГКАЯ ГЛАЖКА.

При выборе программы **Шелк** (11) машина завершает цикл без слива воды, и Индикатор функции ЛЕГКАЯ ГЛАЖКА и индикатор ПУСК/ПАУЗА мигают (оранжевым цветом), индикатор фазы "Полоскание" горит, не мигая. Для слива воды и выгрузки белья необходимо нажать кнопку ПУСК/ПАУЗА или кнопку ЛЕГКАЯ ГЛАЖКА.

! Эта функция несовместима с программами 5, 6, 7, 8, 9, 12, B, C, D.

Дополнительное Полоскание

При выборе этой функции повышается эффективность ополаскивания, обеспечивая максимальное удаление моющего вещества. Эта функция особенно удобна для людей с кожей, чувствительной к стиральным веществам.

! Эта функция несовместима с программами 5, 6, B, C, D.

Суперстирка

Обеспечивает оптимальную стирку благодаря использованию большего объема воды в начале цикла и большей продолжительности цикла.

! Эта функция несовместима с программами 5, 6, 7, 11, 12, A, B, C, D.

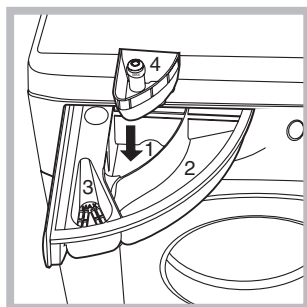
Моющие средства и типы белья

CIS

Распределитель моющих средств

Хороший результат стирки зависит также от правильной дозировки стирального вещества: избыток стирального вещества не гарантирует более эффективную стирку, напротив, способствует образованию налетов внутри стиральной машины и загрязнению окружающей среды.

! Не используйте моющие средства для ручной стирки, так как они образуют слишком много пены.



Выньте распределитель и поместите в него моющее средство или добавку в следующем порядке.

отделение 1: моющее средство для предварительной стирки (порошок)

Перед засыпкой стирального порошка необходимо проверить, чтобы не был установлен дополнительный отделение 4.

отделение 2: Моющее средство для стирки (порошок или жидкое)

Моющее средство для стирки заливается непосредственно перед запуском машины.

отделение 3: Добавки (ополаскиватель и т.д.)

Не наливайте ополаскиватель выше решетки отделения.

дополнительное отделение 4: Отбеливатель

Отбеливание

Отбеливание производится только с программами 2, 3, 7.

Поместите отбеливатель в дополнительное отделение 4, моющее средство и ополаскиватель в соответствующие отделения, затем выберите одну из вышеуказанных программ.

Рекомендуется только для очень грязного х/б белья.

Подготовка белья

- Разделите белье по следующим признакам:
 - тип ткани / обозначения на этикетке.
 - цвет: отделите цветное белье от белого.
- Выньте из карманов все предметы и проверьте пуговицы.
- Не превышайте максимальную загрузку барабана, указанную для сухого белья:
 - Прочные ткани: макс. 5 кг
 - Синтетические ткани: макс. 2,5 кг
 - Деликатные ткани: макс. 2 кг
 - Шерсть: макс. 1 кг

Сколько весит белье?

- 1 простыня 400-500 гр.
- 1 наволочка 150-200 гр.
- 1 скатерть 400-500 гр.
- 1 халат 900-1200 гр.
- 1 полотенце 150-250 гр.


Изделия, требующие деликатной стирки

Рубашки: используйте специальную программу 10 для стирки рубашек из разных тканей и разных цветов.

Это обеспечит максимальную сохранность вещей и сделает их менее мятыми.

Шелк: используйте специальную программу 11 для стирки всех шелковых вещей. Рекомендуется использовать специальное стиральное вещество для деликатных тканей.

Занавески: сверните и положите в наволочку или в сетчатый мешочек. Используйте программу 11.

Шерсть: Стиральная машина марки Hotpoint/Ariston единственная получила престижный знак Woolmark Platinum Care (M.0508) от Компании The Woolmark Company, который сертифицирует машинную стирку всех шерстяных изделий, даже тех, на этикетках которых указано «только ручная стирка» . При выборе программы 12 вы можете надежно и эффективно стирать любые шерстяные изделия (макс. 1 кг) с гарантированным лучшими результатами.

Система балансировки белья

Перед каждым отжимом во избежание чрезмерных вибраций и для равномерного распределения белья в барабане машина производит вращения со скоростью, слегка превышающей скорость стирки. Если после нескольких попыток белье не будет правильно сбалансировано, машина произведет отжим на меньшей скорости по сравнению с предусмотренной.

! Стиральная машина спроектирована и изготовлена в соответствии с международными нормативами по безопасности. Необходимо внимательно прочитать настоящие предупреждения, составленные в целях вашей безопасности.

Общие требования к безопасности

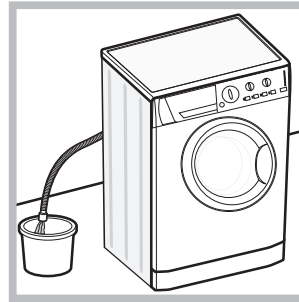
- Данное изделие предназначено исключительно для домашнего использования.
- Стиральной машиной должны пользоваться только взрослые лица, соблюдающие инструкции, приведенные в данном техническом руководстве.
- Не прикасайтесь к изделию влажными руками, босиком или во влажной одежде.
- Не тяните за сетевой кабель для отсоединения изделия из электро розетки, возьмитесь за вилку рукой.
- Не открывайте распределитель порошка в процессе стирки.
- Избегайте контактов со сливаемой водой, так как она может быть очень горячей.
- Категорически запрещается открывать люк силой: это может привести к повреждению защитного механизма, предохраняющего от случайного открытия машины.
- В случае неисправности категорически запрещается открывать внутренние механизмы изделия с целью их самостоятельного ремонта.
- Избегайте контактов детей с работающей стиральной машиной.
- В процессе стирки люк стиральной машины может нагреться.
- При необходимости переместить стиральную машину следует выполнять эту операцию вдвоем или втроем с предельной осторожностью. Никогда не перемещайте машину в одиночку, так как машина очень тяжелая.
- Перед загрузкой в стиральную машину белья проверьте, чтобы барабан был пуст.

Утилизация

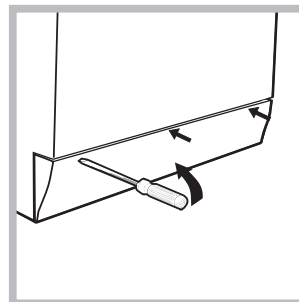
- Уничтожение упаковочных материалов: соблюдайте местные нормативы с целью повторного использования упаковочных материалов.
- Согласно Европейской Директиве 2002/96/CE касательно утилизации электронных и электрических электроприборов электроприборы не должны выбрасываться вместе с обычным городским мусором. Выведенные из строя приборы должны собираться отдельно для оптимизации их утилизации и рекуперации составляющих их материалов, а также для безопасности окружающей среды и здоровья. Символ зачеркнутая мусорная корзинка, имеющийся на всех приборах, служит напоминанием об их отдельной утилизации.
За более подробной информацией о правильной утилизации бытовых электроприборов пользователи могут обратиться в специальную государственную организацию или в магазин.

Аварийное открытие люка

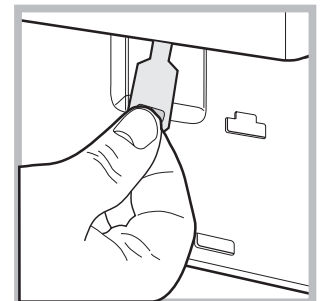
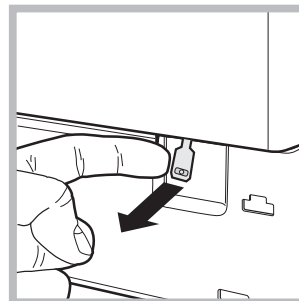
Если по причине отключения электроэнергии невозможно открыть люк машины, чтобы выгрузить чистое белье, действуйте следующим образом:



1. выньте штепсельную вилку машины из электро розетки.
2. проверьте, чтобы уровень воды в машине был ниже отверстия люка. В противном случае слейте излишек воды через сливную трубу в ведро, как показано на схеме.



3. снимите переднюю панель стиральной машины при помощи отвертки (см. схему).



4. потяните наружу язычок, показанный на схеме, вплоть до освобождения пластикового блокировочного винта. Затем потяните его вниз и одновременно откройте люка.

5. установите на место переднюю панель, проверив перед ее прикреплением к машине, чтобы крюки вошли в соответствующие петли.

Техническое обслуживание и уход

CIS

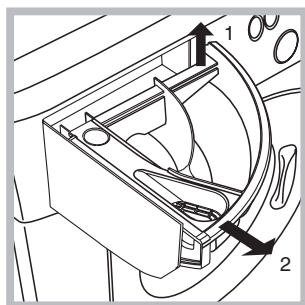
Отключение воды и электрического тока

- Перекрывайте водопроводный кран после каждой стирки. Таким образом сокращается износ водопроводной системы машины и сокращается риск утечек.
- Выньте штепсельную вилку из электро розетки в процессе чистки и технического обслуживания стиральной машины.

Уход за стиральной машиной

Для чистки наружных и резиновых частей стиральной машины используйте тряпку, смоченную теплой водой с мылом. Не используйте растворители или абразивные чистящие средства.

Уход за распределителем моющих средств



Выньте распределитель, приподняв ее и потянув наружу (см. схему). Промойте распределитель теплой водой. Эта операция должна выполняться регулярно.

Уход за люком и барабаном

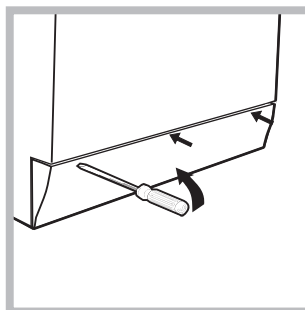
- После использования стиральной машины всегда следует оставлять люк полуоткрытым во избежание образования неприятных запахов в барабане.

Уход за насосом

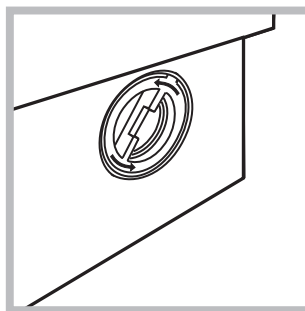
Стиральная машина оснащена самоочищающимся насосом, не нуждающимся в техническом обслуживании. Тем не менее мелкие предметы (монеты, пуговицы) могут упасть за кожух, предохраняющий насос, расположенный в его нижней части.

! Проверьте, чтобы цикл стирки завершился, и выньте штепсельную вилку из сетевой розетки.

Для доступа к кожуху:



1. снимите переднюю панель стиральной машины при помощи отвертки (см. схему);



2. отвинтите крышку, повернув ее против часовой стрелки (см. схему): небольшая утечка воды является нормальным явлением;

3. тщательно прочистите внутри кожуха;
4. закрутите крышку на место;
5. установите на место переднюю панель, проверив перед ее креплением к машине, чтобы крюки вошли в соответствующие петли.

Проверка водопроводного шланга

Проверяйте шланг подачи воды не реже одного раза в год. При обнаружении трещин или разрывов шланга замените его: в процессе стирки сильное давление воды в водопроводе может привести к внезапному отсоединению шланга.

! Никогда не пользуйтесь б/у шлангами.

Если ваша стиральная машина не работает. Прежде чем обратиться в Центр Сервисного обслуживания (см. *Сервисное обслуживание*), проверьте, можно ли устранить неисправность, следуя рекомендациям, приведенным в следующем перечне.

Неисправности:

Возможные причины / Методы устранения:

Стиральная машина не включается.

- Штепсельная вилка не соединена с электро розеткой или отходит и не обеспечивает контакта.
- В доме отключено электричество.

Цикл стирки не запускается.

- Люк машины закрыт неплотно.
- Не была нажата кнопка ВКЛ/ВЫКЛ.
- Не была нажата кнопка ПУСК/ПАУЗА.
- Перекрыт водопроводный кран.
- Была запрограммирована задержка запуска цикла (Таймер отсрочки, (см. *«Персонализированные настройки»*)).

Стиральная машина не заливает воду (часто мигает индикатор первой фазы стирки).

- Водопроводный шланг не подсоединен к крану.
- Шланг согнут.
- Перекрыт водопроводный кран.
- В доме нет воды.
- Недостаточное водопроводное давление.
- Не была нажата кнопка ПУСК/ПАУЗА.

Машина непрерывно заливает и сливает воду.

- Сливной шланг не находится на высоте 65 – 100 см. от пола (см. *«Установка»*).
- Конец сливного шланга погружен в воду (см. *«Установка»*).
- Настенное сливное отверстие не оснащено вантузом для выпуска воздуха.

Если после вышеперечисленных проверок неисправность не будет устранена, следует перекрыть водопроводный кран, выключить стиральную машину и обратиться в Центр Сервисного Обслуживания. Если ваша квартира находится на последних этажах здания, могут наблюдаться явления сифона, поэтому стиральная машина производит непрерывный залив и слив воды. Для устранения этой аномалии в продаже имеются специальные клапаны против явления сифона.

Стиральная машина не сливает воду и не отжимает белье.

- Выбранная программа не предусматривает слив воды: для некоторых программ необходимо включить слив вручную.
- Включена функция ЛЕГКАЯ ГЛАЖКА: для завершения программы нажмите кнопку ПУСК/ПАУЗА (см. *«Персонализированные настройки»*).
- Сливной шланг согнут (см. *«Установка»*).
- Засорен сливной трубопровод.

Стиральная машина сильно вибрирует в процессе отжима.

- В момент установки стиральной машины барабан был разблокирован неправильно (см. *«Установка»*).
- Стиральная машина установлена неровно (см. *«Установка»*).
- Машина зажата между стены и мебелью (см. *«Установка»*).

Утечки воды из стиральной машины.

- Плохо прикручен водопроводный шланг (см. *«Установка»*).
- Засорен распределитель моющего средства (порядок его чистки см. в параграфе *«Техническое обслуживание и уход»*).
- Сливной шланг плохо закреплен (см. *«Установка»*).

Индикатор ПУСК/ПАУЗА (оранжевый) и индикаторы функций часто мигают.

- Выключите машину и выньте штепсельную вилку из сетевой розетки, подождите 1 минуту и вновь включите машину. Если неисправность не устраняется, обратитесь в Сервисную Службу.

В процессе стирки образуется слишком обильная пена.

- Моющее средство непригодно для стирки в стиральной машине (на упаковке должно быть указано «для стирки в стиральной машине», «для ручной и машинной стирки» или подобное).
- В распределитель было помещено чрезмерное количество моющего средства.

Сервисное обслуживание

CIS

Перед тем как обратиться в Службу Сервиса:

- Проверьте, нельзя ли устранить неисправность самостоятельно (см. «Неисправности и методы их устранения»);
- Вновь запустите программу для проверки исправности машины;
- В противном случае обратиться в Авторизованный Сервисный Центр по телефонам, указанным в гарантийном таллоне.

! Никогда не обращайтесь к неавторизованным сервисным центрам.

При обращении в Сервисную Службу необходимо сообщить:

- тип неисправности;
- модель изделия (Мод.);
- номер тех. паспорта (серийный №).

Серийный номер и модель указаны на паспортной табличке, расположенной на задней панели и спереди люка стиральной машины.

Instruções para utilização

MÁQUINA DE LAVAR ROUPA

PT

Português

ARL 105

Sumário

Instalação, 26-27

Desembalar e nivelar
Ligações hidráulicas e eléctricas
Primeiro ciclo de lavagem
Dados técnicos

Descrição da máquina de lavar roupa e como iniciar um programa, 28-29

Painel de comandos
Indicadores luminosos
Iniciar um programa

Programas, 30

Tabela dos programas

Personalizações, 31

Seleccione a temperatura
Seleccione a centrifugação
Funções

Detergentes e roupa, 32

Gaveta dos detergentes
Ciclo para branquear
Preparar a roupa
Peças especiais
Sistema de balanceamento da carga

Precauções e conselhos, 33

Segurança geral
Eliminação
Abertura manual da porta de vidro

Manutenção e cuidados, 34

Interromper a alimentação de água e de corrente eléctrica
Limpar a máquina de lavar roupa
Limpar a gaveta dos detergentes
Cuidados com a porta de vidro e o tambor
Limpar a bomba
Verificar o tubo de alimentação de água

Anomalias e soluções, 35

Assistência, 36

 **Hotpoint**
ARISTON

PT

Instalação

PT

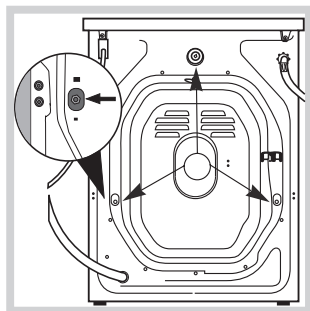
! É importante guardar este manual para poder consultá-lo a qualquer momento. Se a máquina for vendida, cedida ou transferida, certifique-se que este manual permaneça com a máquina para informar o novo proprietário acerca do seu funcionamento e das respectivas advertências.

! Leia com atenção estas instruções: há importantes informações acerca da instalação, da utilização e da segurança.

Desembalar e nivelar

Desembalar

1. Tire a máquina de lavar roupa da embalagem.
2. Verifique se a máquina de lavar roupa sofreu danos no transporte. Se estiver danificada não efectue a sua ligação e contacte o revendedor.



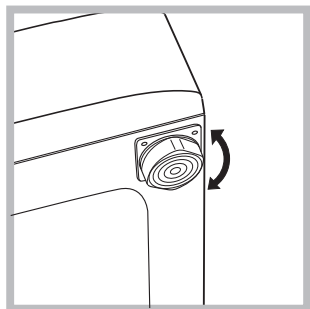
3. Tire os **3** parafusos de protecção para o transporte e a borrachinha com o respectivo calço, situados na parte traseira (veja a figura).

4. Tampe os furos com as tampas em plástico fornecidas.
5. Guarde todas as peças: se for necessário transportar a máquina de lavar roupa, terão de ser montadas outra vez.

! Embalagens não são brinquedos para as crianças!

Nivelamento

1. Instale a máquina de lavar roupa sobre um pavimento plano e rígido, sem encostá-la em paredes, móveis nem outro.

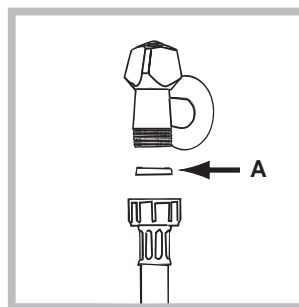


2. Se o pavimento não for perfeitamente horizontal, para compensar qualquer irregularidade, desatarraxe ou atarraxe os pés dianteiros (veja a figura); o ângulo de inclinação, medido no plano de trabalho, não deve ultrapassar 2°.

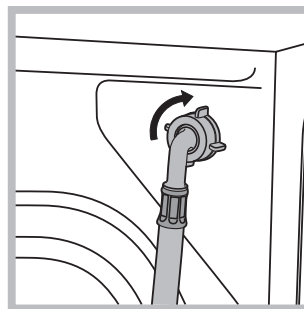
Um cuidadoso nivelamento dá estabilidade à máquina e evita vibrações, ruídos e deslocamentos durante o funcionamento. Se houver tapete ou alcatifa, regule os pés em modo que embaixo da máquina de lavar roupa deixe um espaço suficiente para ventilação.

Ligações hidráulicas e eléctricas

Ligação do tubo de alimentação da água



1. Coloque a guarnição A na ponta do tubo de alimentação e atarraxe-o numa torneira de água fria com bocal de rosca de 3/4 gás (veja a figura). Antes de realizar esta ligação, deixe a água escorrer até estar límpida.



2. Ligue o tubo de alimentação na máquina de lavar roupa atarraxando-o no apropriado fornecimento da água, na parte traseira, em cima à direita (veja a figura).

3. Tome cuidado para o tubo não ser dobrado nem esmagado.

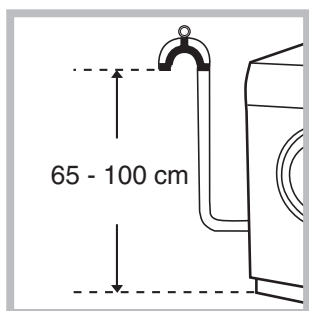
! A pressão hídrica da torneira deve ser entre os valores da tabela dos Dados técnicos (veja a página ao lado).

! Se o comprimento do tubo de alimentação não for suficiente, contacte uma oficina especializada ou um técnico autorizado.

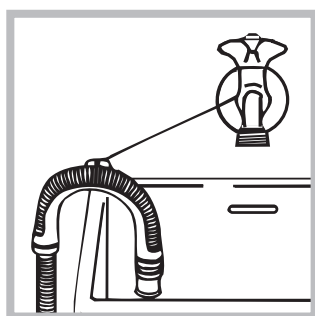
! Nunca utilize tubos já usados.

! Utilize aqueles fornecidos com a máquina.

Ligação do tubo de descarga



Ligue o tubo de descarga, sem dobrá-lo, a um conduto de descarga ou a uma descarga de parede colocados entre 65 e 100 cm do chão;



em alternativa, coloque na beira de um lavabo ou de uma banheira, prendendo na torneira a guia fornecida (veja a figura). A ponta solta do tubo de descarga não deve permanecer emergida na água.

! É desaconselhado empregar tubos de extensão; mas se for indispensável, a extensão deve ter o mesmo diâmetro do tubo original e não medir mais de 150 cm de comprimento.

Ligação eléctrica

Antes de ligar a ficha na tomada eléctrica, certifique-se que:

- a tomada tenha uma ligação à terra e seja nos termos da legislação;
- a tomada tenha a capacidade para suportar a carga máxima de potência da máquina, indicada na tabela dos Dados técnicos (veja ao lado);
- a tensão de alimentação seja entre os valores indicados na tabela dos Dados técnicos (veja ao lado);
- a tomada seja compatível com a ficha da máquina de lavar roupa. Se não for, substitua a tomada ou a ficha.

! Esta máquina de lavar roupa não deve ser instalada ao aberto, nem mesmo abrigada, porque é muito perigoso deixá-la exposta à chuva e às tempestades.

! Depois de ter instalado a máquina de lavar roupa, o acesso à tomada eléctrica deve ser fácil.

! Não empregue extensões nem fichas múltiplas.

! O cabo não deve ser dobrado nem apertado.



! O cabo de alimentação deve ser substituído somente por técnicos autorizados.

Atenção! O fabricante declina toda a responsabilidade se estas regras não forem respeitadas.

Primeiro ciclo de lavagem

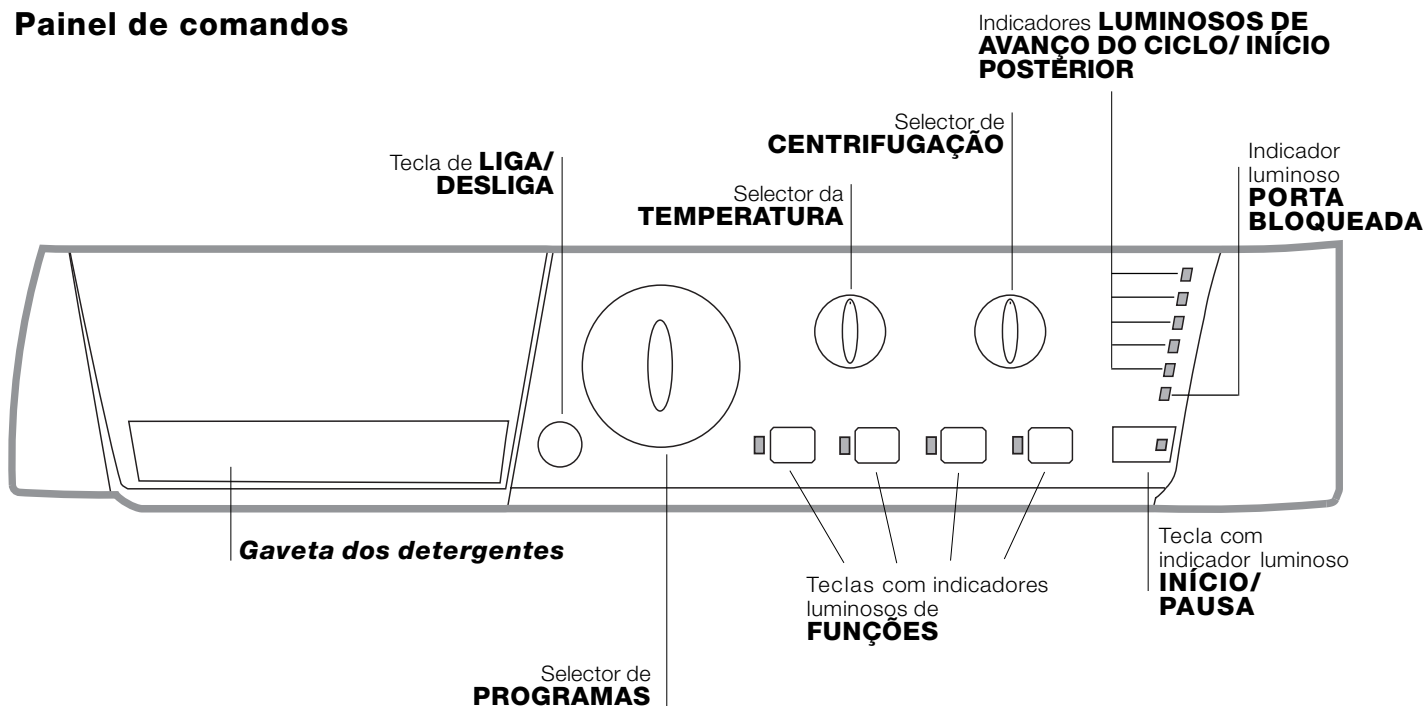
Depois da instalação, antes de usar, efectue um ciclo de lavagem com detergente mas sem roupa, defina o programa 2.

Dados técnicos

Modelo	ARL 105
Medidas	largura 59,5 cm. altura 85 cm. profundidade 52,5 cm.
Capacidade	de 1 a 5 kg.
Ligações eléctricas	veja a placa das características técnicas colocada na máquina
Ligações hídricas	pressão máxima 1 MPa (10 bars) pressão mínima 0,05 MPa (0,5 bar) capacidade do tambor 46 litros
Velocidade da centrifugação	até 1.000 rotações por minuto
Programas de controlo segundo a norma EN 60456	programa 7; temperatura 60°C; realizado com carga de 5 kg.
	Esta aparelhagem é em conformidade com as seguintes Directivas Comunitárias: - 89/336/CEE dl 03/05/89 (Compatibilidade Electromagnética) e posteriores modificações. - 2002/96/CE - 2006/95/CE (Baixa Tensão)
	

Descrição da máquina de lavar roupa e como iniciar um programa

Painel de comandos



Gaveta dos detergentes: para colocar detergentes e aditivos (veja “Detergentes e roupa”). Dentro da gaveta dos detergentes está situado um indicador, com o qual é possível consultar em qualquer momento um esquema sintético dos programas.

Tecla de **LIGA/DESLIGA:** para ligar e desligar a máquina de lavar roupa.

Selector de **PROGRAMAS:** para programar os programas. Durante o programa o selector permanece parado.

Teclas com indicadores luminosos de **FUNÇÕES:** para seleccionar as funções disponíveis. O indicador luminoso correspondente à função seleccionada permanecerá aceso.

Selector de **CENTRIFUGAÇÃO:** para seleccionar a centrifugação ou desactivá-la (veja “Personalizações”).

Selector da **TEMPERATURA:** para definir a temperatura ou a lavagem a frio (veja “Personalizações”).

Indicadores **LUMINOSOS DE AVANÇO DO CICLO/ INÍCIO POSTERIOR:** para seguir o estado do avanço do programa de lavagem. O indicador luminoso aceso indica a fase em curso. Se tiver sido seleccionada a função “Início posterior”, indicarão o tempo que falta para iniciar o programa (veja a página ao lado).

Indicador luminoso **PORTA BLOQUEADA:** para saber se a porta de vidro pode ser aberta (veja a página ao lado).

Tecla com indicador luminoso **INÍCIO/PAUSA:** para activar os programas ou interrompê-los momentaneamente.

Obs.: para colocar em pausa a lavagem em curso, carregar nesta tecla, o respectivo indicador luminoso ficará intermitente com uma luz laranja enquanto aquele da fase em curso ficará aceso fixo. Se o indicador **PORTA BLOQUEADA** estiver apagado, será possível abrir a porta de vidro. Para fazer iniciar a lavagem do ponto em que foi interrompida, carregar novamente nesta tecla.

Indicadores luminosos

Os indicadores luminosos fornecem informações importantes.

Vejamos o que significam:

Início posterior

Se tiver sido activada a função “Início posterior” (veja “Personalizações”) depois de ter iniciado o programa, começará a lampejar o indicador luminoso relativo ao atraso seleccionado.



Com o passar do tempo será mostrado a atraso restante, mediante o respectivo indicador luminoso aceso intermitente:



Depois de ter passado o atraso seleccionado, o indicador luminoso intermitente irá desligar-se e começará o programa estabelecido.

Iniciar um programa

1. Para ligar a máquina de lavar roupa, mete na tecla de LIGA/DESLIGA. Todos os indicadores luminosos se acenderão por alguns segundos, em seguida apagam-se e ficará intermitente o indicador luminoso INÍCIO/PAUSA.
2. Coloque a roupa dentro da máquina e feche a porta.
3. Selecciona mediante o selector de PROGRAMAS o programa que desejar.
4. Selecciona a temperatura de lavagem (veja as “Personalizações”).
5. Selecciona a velocidade de centrifugação (veja as “Personalizações”).
6. Colocar detergentes e aditivos (veja “Detergentes e roupa”).
7. Seleccionar as funções desejadas.

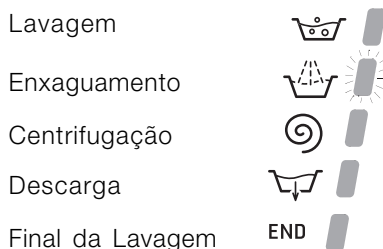
8. Iniciar o programa carregando na tecla INÍCIO/PAUSA e o respectivo indicador luminoso permanecerá aceso fixo de cor verde.

Para anular o ciclo programado, colocar a máquina em pausa carregando na tecla INÍCIO/PAUSA e escolher um novo ciclo.

9. No fim do programa, irá iluminar-se o indicador END. O indicador luminoso PORTA BLOQUEADA irá desligar-se indicado que a porta pode ser aberta. Retire a roupa lavada de dentro e deixe a porta entreaberta para deixar o tambor enxugar-se. Para desligar a máquina de lavar roupa, mete na tecla de LIGA/DESLIGA.

Indicadores luminosos fase em curso

Uma vez seleccionado e iniciado o ciclo de lavagem desejado, os indicadores luminosos se acenderão progressivamente para indicar o estado de avanço:



Teclas função e respectivos indicadores luminosos

Ao seleccionar uma função o respectivo indicador luminoso se acenderá.

Se a função seleccionada não for compatível com o programa definido, o indicador luminoso se acenderá intermitente e a função não será activada.

Se for seleccionada uma função incompatível com outra anteriormente seleccionada, permanecerá activa somente a última seleccionada.

Indicador luminoso porta bloqueada:

O indicador luminoso aceso indica que a porta está trancada para impedir aberturas acidentais; para evitar danos é necessário aguardar que o indicador luminoso se apague antes de abrir a porta.

Obs.: se estiver activa a função INÍCIO POSTERIOR a porta não poderá ser aberta, para abrir, colocar a máquina em pausa carregando na tecla INÍCIO/PAUSA.

! A intermitência rápida do indicador luminoso INÍCIO/PAUSA (laranja) contemporâneo ao indicador das funções, sinaliza uma anomalia (veja “Anomalias e soluções”).

Programas

Tabela dos programas

Programas	Descrição do Programa	Temp. max. (°C)	Velocidade max. (rotações por minuto)	Detergentes			Carga max. (Kg)	Duração ciclo
				Lixívia	Lava-gem	Ama-ciador		
Programas Especiais								
7	Higienização 90°C: peças brancas extremamente sujas.	90°	1000	●	●	●	5	165
7	Higienização 90°C (1): brancos e coloridos resistentes muito sujos.	60°	1000	-	●	●	5	133
8	Ciclo Boa Noite: coloridos delicados pouco sujos.	40°	800	-	●	●	3	288
9	Ciclo Bébés: coloridos delicados muito sujos.	40°	800	-	●	●	2	118
10	Camisas	40°	600	-	●	●	2	69
11	Seda / Cortinas: para roupas de seda, viscosa, lingerie.	30°	0	-	●	●	1	55
12	Lã: para lã, cashmere, etc.	40°	600	-	●	●	1	55
Quotidiano (programas para todos os dias)								
1	Algodão Pré-lavagem 90°C: brancos e coloridos resistentes muito sujos.	90°	1000	-	●	●	5	155
2	Algodão: brancos e coloridos resistentes muito sujos.	60°	1000	●	●	●	5	119
2	Algodão (2): brancos e coloridos delicados muito sujos.	40°	1000	●	●	●	5	115
3	Algodão Coloridos (3): brancos pouco sujos e cores delicadas.	40°	1000	●	●	●	5	85
4	Sintéticos: coloridos delicados muito sujos.	60°	800	-	●	●	2,5	85
4	Sintéticos delicados: coloridos resistentes pouco sujos.	40°	800	-	●	●	2,5	70
5	Mix 30': para refrescar rapidamente roupas levemente sujas (não é indicado para lã, seda e roupas que deve ser lavadas à mão).	30°	800	-	●	●	3	30
6	Mix 15': para refrescar rapidamente roupas levemente sujas (não é indicado para lã, seda e roupas que deve ser lavadas à mão).	30°	800	-	●	●	1,5	15
Programas Parciais								
A	Enxaguamentos	-	1000	-	-	●	5	36
B	Centrifugação	-	1000	-	-	-	5	16
C	Centrifugação Delicada	-	800	-	-	-	2,5	12
D	Descarga	-	0	-	-	-	5	2

Os dados apresentados na tabela têm valor indicativo.

Para todos Test Institutes:

- 1) Programa de controlo segundo a norma EN 60456: configurar o programa 7 com uma temperatura de 60°C.
- 2) Programa longo para algodão: configurar o programa 2 com uma temperatura de 40°C.
- 3) Programa curto para algodão: configurar o programa 3 com uma temperatura de 40°C.

Programas especiais

Higienização (programa 7). Um programa higienizante com alta temperatura que prevê o uso de lixívia com temperaturas superiores aos 60°C. Para branquear, deite a lixívia, os detergentes e os aditivos nos respectivos compartimentos (veja o parágrafo "Gaveta dos detergentes").

Ciclo Boa noite (programa 8). É um ciclo silencioso que pode trabalhar de noite, quando a tarifa energética é reduzida. O programa foi estudado para roupas sintéticas e de algodão. No fim do ciclo, a máquina irá parar com água no tambor; para efectuar a centrifugação e a descarga mete na tecla INÍCIO/PAUSA, caso contrário, depois de 8 horas a máquina efectuará automaticamente a centrifugação e a descarga da água.

Ciclo Bébés (programa 9). Programa para remover a sujidade típica das roupas das crianças, garantindo a remoção do detergente para evitar alergias na pele delicada das crianças. O ciclo foi estudado para reduzir as bactérias utilizando uma maior quantidade de água e optimizando o efeito de aditivos específicos higienizantes, acrescentados ao detergente.

No fim da lavagem, a máquina efectuará lentas rotações do tambor para evitar a formação de dobras; para terminar o ciclo, mete na tecla INÍCIO/PAUSA.

Mix 30' (programa 5) foi estudado para lavar peças levemente sujas em pouco tempo: leva apenas 30 minutos e, desta maneira, economiza energia e tempo. Se regular o programa (5 a 30°C) será possível lavar juntos tecidos de natureza diferente (excepto lã e seda), com uma carga máxima de 3 Kg.

Mix 15' (programa 6) foi estudado para lavar peças levemente sujas em pouco tempo: leva apenas 15 minutos e, desta maneira, economiza energia e tempo. Se regular o programa (6 a 30°C) será possível lavar juntos tecidos de natureza diferente (excepto lã e seda), com uma carga máxima de 1,5 Kg.

Selecione a temperatura

Gire o selector da TEMPERATURA para seleccionar a temperatura de lavagem (veja a *Tabela dos programas*).

A temperatura pode ser diminuída até a lavagem a frio (❄).

A máquina impedirá automaticamente a configuração de uma temperatura superior à máxima prevista para cada um dos programas.

Selecione a centrifugação

Gire o selector da CENTRIFUGAÇÃO para seleccionar a velocidade de centrifugação do programa seleccionado.

As velocidades máximas que há para os programas são:

Programas	Velocidade máxima
Algodão	1000 rotações por minuto
Sintéticos	800 rotações por minuto
Lã	600 rotações por minuto
Seda	somente descarga

A velocidade de centrifugação pode ser diminuída, ou excluída se seleccionar o símbolo (🌀).

A máquina impedirá automaticamente a realização de uma centrifugação superior à máxima de cada um dos programas.

Funções

As várias funções de lavagem da máquina de lavar roupa possibilitam obter-se a limpeza e o branco que desejar.

Para activar as funções:

1. mete na tecla relativa à função desejada;
2. o respectivo indicador luminoso acende-se para avisar que a função está activada.

Observação: Se um indicador luminoso acender-se intermitente, significa que a respectiva função não pode ser seleccionada para o programa definido.

Início posterior

Atrasa o início da máquina de até 12 horas.

Mete várias vezes na tecla até acender-se o indicador luminoso correspondente ao atraso desejado. A quinta vez que carregar na tecla, a função se desactivará.

Obs.: Depois de ter carregado na tecla INÍCIO/PAUSA, será possível mudar o valor do atraso somente para diminuí-lo.

! É activo com todos os programas.

Engomar fácil

Seleccionando esta função, a lavagem e a centrifugação serão oportunamente modificadas para reduzir a formação de rugas. No fim do ciclo, a máquina de lavar roupa efectuará lentas rotações do tambor; o indicador luminoso da função ENGOMAR FÁCIL e aquele de INÍCIO/PAUSA ficarão intermitentes (laranja) e a fase END permanecerá acesa fixa. Para terminar o ciclo, carregar no botão INÍCIO/PAUSA ou na tecla "ENGOMAR FÁCIL". No programa **Seda** a máquina terminará o ciclo com a roupa de molho e o indicador luminoso da função ENGOMAR FÁCIL e aquele de INÍCIO/PAUSA ficarão intermitentes (laranja) e a fase ENXAGUAMENTO permanecerá acesa fixa. Para descarregar a água e poder retirar a roupa é necessário carregar na tecla INÍCIO/PAUSA ou na tecla ENGOMAR FÁCIL.

! Não pode ser activada nos programas 5, 6, 7, 8, 9, 12, B, C, D.

Enxaguamento extra

Seleccionando esta função aumenta-se a eficácia da enxaguamento e garante-se a máxima remoção do detergente. É útil para quem tem a pele particularmente sensível.

! Não pode ser activada nos programas 5, 6, B, C, D.

Super lavagem

Graças ao uso de uma maior quantidade de água na fase inicial do ciclo e a uma maior duração, esta função garante uma lavagem de alto desempenho.

! Não pode ser activada nos programas 5, 6, 7, 11, 12, A, B, C, D.

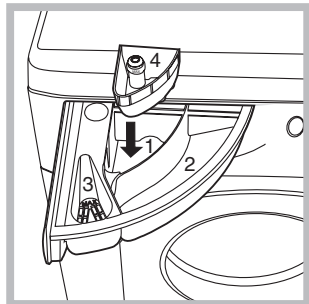
Detergentes e roupa

PT

Gaveta dos detergentes

O bom resultado da lavagem depende também do emprego da dose certa de detergente: com excessos não se lava de maneira mais eficaz, mas contribui-se para formar crostas nas peças internas da máquina de lavar roupa e poluir o meio ambiente.

! Não use detergentes para lavagem à mão, porque formam espuma demais.



Tire a gaveta dos detergentes e deite o detergente ou o aditivo da seguinte maneira:

gaveta 1: Detergente para pré-lavagem (em pó)

Antes de deitar detergente verifique se há dentro a gaveta adicional 4.

gaveta 2: Detergente para lavagem (em pó ou líquido)

O detergente líquido deve ser deitado somente depois da máquina ter arrancado.

gaveta 3: Aditivos (amaciador etc.)

O aditivo amaciador não deve ultrapassar a grade.

gaveta adicional 4: Água de Javel

Ciclo para branquear

O branqueamento pode ser efectuado somente com os programas **2, 3, 7**.

Deite a água de javel no recipiente adicional **4**, o detergente e o produto amaciador nos respectivos recipientes, em seguida programar um dos programas acima indicados.

É indicado apenas para roupas de algodão muito sujas.

Preparar a roupa

- Divida a roupa em função:
 - do tipo de tecido / do símbolo na etiqueta.
 - das cores: separe as peças coloridas das brancas.
- Esvazie as algibeiras e verifique se há botões soltos.
- Não ultrapasse os valores indicados que se referem ao peso da roupa enxuta:
 - Tecidos resistentes: máx. 5 kg.
 - Tecidos sintéticos: máx. 2,5 kg.
 - Tecidos delicados: máx. 2 kg.
 - Lã: máx. 1 kg.

Quanto pesa a roupa?

- 1 lençol 400 - 500 g.
- 1 fronha 150 - 200 g.
- 1 toalha de mesa 400 - 500 g.
- 1 roupão 900 - 1200 g.
- 1 toalha de rosto 150 - 250 g.

Peças especiais

Camisas: Utilize o programa específico **10** para lavar camisas de vários tipos de tecido e cores. Garante a máxima limpeza minimizando a formação de dobras.

Seda: utilize o programa específico **11** para lavar todas as roupas de seda. Aconselha-se o uso de um detergente específico para tecidos delicados.

Cortinas: dobre-as bem e coloque-as dentro de uma fronha ou de um saquinho de rede. Utilize o programa **11**.

Lã: a Hotpoint/Ariston é a única máquina de lavar roupa que obteve o prestigioso reconhecimento Woolmark Platinum Care (M0508) por parte da The Woolmark Company, que certifica a lavagem à máquina de todas as roupas de lã, mesmo daquelas com etiqueta "lavar somente à mão" . Com o programa **12** teremos portanto a absoluta tranquilidade de lavar à máquina todas as peças de lã (max. 1 kg) com a garantia das melhores performances.

Sistema de balanceamento da carga

Antes de cada centrifugação, para evitar vibrações excessivas e para distribuir a carga em modo uniforme, o tambor efectua algumas rotações a uma velocidade levemente superior àquela de lavagem. Se no fim de repetidas tentativas a carga ainda não estiver correctamente balanceada, a máquina efectuará a centrifugação com uma velocidade inferior àquela prevista. No caso de um excessivo desbalanceamento, a máquina de lavar roupa efectuará a distribuição ao invés da centrifugação. Para favorecer uma melhor distribuição da carga e o seu correcto balanceamento, aconselha-se misturar peças grandes com peças pequenas.

! Esta máquina de lavar roupa foi projectada e fabricada em conformidade com os regulamentos internacionais de segurança. Estas advertências são fornecidas por razões de segurança e devem ser lidas com atenção.

Segurança geral

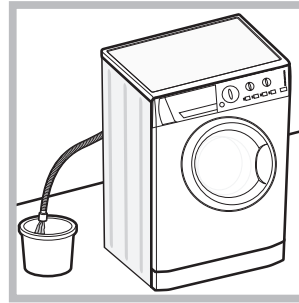
- Este aparelho foi projectado exclusivamente para um uso doméstico.
- Esta máquina de lavar roupa deve ser utilizada somente por pessoas adultas e conforme as instruções apresentadas neste manual.
- Não toque na máquina com os pés descalços nem com as mãos ou os pés molhados ou húmidos.
- Não puxe o cabo eléctrico para tirar a ficha da tomada, pegue a ficha mesmo.
- Não abra a gaveta dos detergentes enquanto a máquina estiver a funcionar.
- Não toque a água de descarga, que poderá chegar a temperaturas altas.
- Em nenhum caso force a porta para abri-la: poderá danificar o mecanismo de segurança que a protege contra aberturas acidentais.
- Se houver avarias, em nenhum caso mexa nos mecanismos internos para tentar reparar.
- Verifique sempre que criança não se aproximem da máquina a funcionar.
- Durante a lavagem a porta de vidro tende a aquecer-se.
- Se for preciso deslocá-la, são precisas pelo menos duas ou três pessoas, com a máxima atenção. Nunca sozinho porque a máquina é muito pesada.
- Antes de colocar a roupa verifique que o tambor esteja vazio.

Eliminação

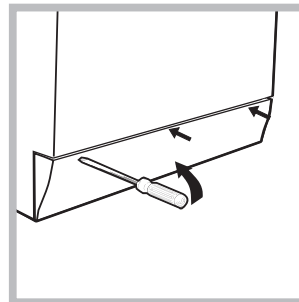
- Eliminação do material de embalagem: obedeça os regulamentos locais, de maneira que as embalagens possam ser reutilizadas.
- A directiva Europeia 2002/96/CE referente à gestão de resíduos de aparelhos eléctricos e electrónicos, prevê que os electrodomésticos não devem ser escoados no fluxo normal dos resíduos sólidos urbanos. Os aparelhos desactualizados devem ser recolhidos separadamente para otimizar a taxa de recuperação e reciclagem dos materiais que os compõem e impedir potenciais danos para a saúde humana e para o ambiente. O símbolo constituído por um contentor de lixo barrado com uma cruz deve ser colocado em todos os produtos por forma a recordar a obrigatoriedade de recolha separada. Os consumidores devem contactar as autoridades locais ou os pontos de venda para solicitar informação referente ao local apropriado onde devem depositar os electrodomésticos velhos.

Abertura manual da porta de vidro

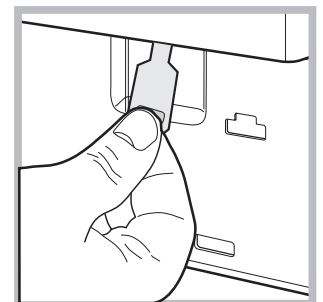
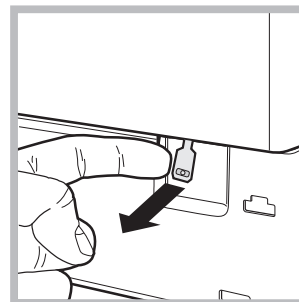
Caso não seja possível abrir a porta de vidro por falta de energia eléctrica e quiser pendurar a roupa lavada, proceda da seguinte maneira:



1. tire a ficha da tomada de corrente.
2. verifique que o nível de água no interior da máquina seja inferior respeito à abertura da porta de vidro; caso contrário, tirar a água em excesso através do tubo de descarga recolhendo-a num balde como indicado na figura.



3. tire o painel de cobertura da parte dianteira da máquina de lavar roupa com ajuda de uma chave de fendas (veja a figura).



4. utilizando a lingueta indicada na figura, puxe para o exterior até liberar o tirante de plástico do fecho; puxá-lo sucessivamente para baixo e contemporaneamente abrir a porta.

5. monte outra vez o painel, certifique-se, antes de empurrá-la na máquina, que os ganchos foram colocados nas respectivas ranhuras.

Manutenção e cuidados

PT

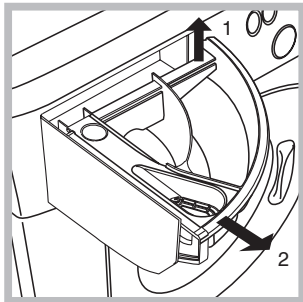
Interromper a alimentação de água e de corrente eléctrica

- Feche a torneira da água depois de cada lavagem. Desta maneira diminuiu-se o desgaste do sistema hidráulico da máquina de lavar roupa e elimina-se o risco de inundação.
- Tire a ficha da tomada eléctrica quando for limpar a máquina de lavar roupa e durante os trabalhos de manutenção.

Limpar a máquina de lavar roupa

A parte externa e as peças em borracha podem ser limpas com um pano molhado com água morna e sabão. Não empregue solventes nem abrasivos.

Limpar a gaveta dos detergentes



Para tirar a gaveta, erga-a e puxe-a para fora (veja a figura). Lave-a com água corrente; esta limpeza deve ser efectuada frequentemente.

Cuidados com a porta de vidro e o tambor

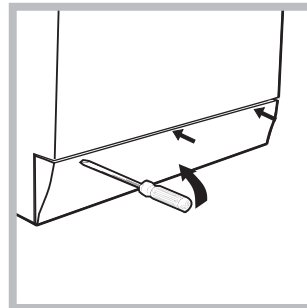
- Deixe a porta sempre entreaberta para evitar que se formem odores desagradáveis.

Limpar a bomba

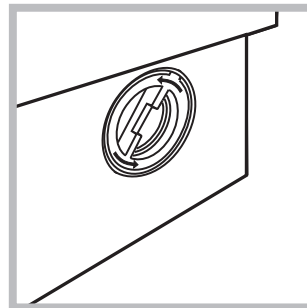
Esta máquina de lavar roupa é equipada com uma bomba com limpeza automática que não precisa de operações de manutenção. Entretanto pode acontecer que pequenos objectos (moedinhas, botões) caiam na pré-câmara que protege a bomba, situada na parte inferior da mesma.

! Certifique-se que o ciclo de lavagem tenha terminado e tire a ficha da tomada.

Para obter acesso à pré-câmara:



1. tire o painel de cobertura da parte dianteira da máquina de lavar roupa com ajuda de uma chave de fendas (veja a figura);



2. desenrosque a tampa girando-a no sentido anti-horário (veja a figura). É normal que perca um pouco de água;

3. limpe o interior com cuidado;
4. enrosque outra vez a tampa;
5. monte outra vez o painel, certifique-se, antes de empurrá-la na máquina, que os ganchos foram colocados nas respectivas ranhuras.

Verificar o tubo de alimentação de água

Verifique o tubo de alimentação pelo menos uma vez por ano. Se houver rachaduras ou fendas, será necessário substituí-lo: durante as lavagens as fortes pressões podem provocar repentinas quebras.

! Nunca utilize tubos já usados.

Pode acontecer que a máquina de lavar roupa não funcione. Antes de telefonar para a Assistência Técnica (veja "Assistência"), verifique se não se trata de um problema fácil de resolver com ajuda da seguinte lista.

Anomalias:

A máquina de lavar roupa não liga.

O ciclo de lavagem não inicia.

A máquina de lavar roupa não carrega a água (o indicador luminoso da primeira fase de lavagem pisca rapidamente).

A máquina de lavar roupa carrega e descarrega água continuamente.

A máquina de lavar roupa não descarrega ou nem realiza centrifugação.

A máquina de lavar roupa vibra muito durante a centrifugação.

Da máquina de lavar roupa está a perder água.

O indicador luminoso INÍCIO/PAUSA (laranja) e os indicadores das funções piscam rapidamente.

Está a formar-se demasiada espuma.

Possíveis causas / Solução:

- A ficha não está colocada na tomada eléctrica, ou não o suficiente para haver contacto.
- Em casa não há corrente.

- A porta de vidro não está bem fechada.
- O botão LIGA/DESLIGA não foi pressionado.
- O botão INÍCIO/PAUSA não foi pressionado.
- A torneira da água não está aberta.
- Foi programado um início posterior (veja as "Personalizações").

- O tubo de alimentação de água não está ligado na torneira.
- O tubo está dobrado.
- A torneira da água não está aberta.
- Está a faltar água em casa.
- Não há suficiente pressão.
- O botão INÍCIO/PAUSA não foi pressionado.

- O tubo de descarga não está instalado entre 65 e 100 cm de altura do chão (veja "Instalação").
- A ponta do tubo de descarga está imersa na água (veja "Instalação").
- Da descarga na parede não foi sangrado o ar.

Se depois destas verificações o problema não for resolvido, feche a torneira da água, desligue a máquina de lavar roupa e chame a assistência técnica. Se a morada encontrar-se nos últimos andares de um edifício, é possível que aconteçam fenómenos de sifão por causa dos quais a máquina de lavar roupa carrega e descarrega água continuamente. Para eliminar este inconveniente, há a disposição no comércio apropriadas válvulas contra o efeito sifão.

- No programa não há descarga: com alguns programas será necessário iniciar a descarga manualmente.
- Está activa a função ENGOMAR FÁCIL: para completar o programa mete na tecla INÍCIO/PAUSA (veja as "Personalizações").
- O tubo de descarga está dobrado (veja "Instalação").
- A conduta de descarga está entupida.

- O tambor, no momento da instalação, não foi liberado correctamente (veja "Instalação").
- A máquina não está nivelada (veja "Instalação").
- A máquina está apertada entre móveis e parede (veja "Instalação").

- O tubo de alimentação da água não está bem enroscado (veja "Instalação").
- O gaveta dos detergentes está entupida (para limpá-la veja "Manutenção e cuidados").
- O tubo de descarga não está fixado correctamente (veja "Instalação").

- Desligue a máquina e tire a ficha da tomada, aguarde aproximadamente 1 minuto e volte a ligá-la.
Se a anomalia persistir, contacte a Assistência Técnica.

- O detergente não é específico para máquina de lavar roupa (deve haver a escrita "para máquina de lavar", "à mão e para máquina de lavar" ou similares).
- A dose foi excessiva.

Assistência

PT

Antes de contactar a Assistência Técnica:

- Verifique se consegue resolver a anomalia sozinho (*veja “Anomalias e soluções”*);
- Reinicie o programa para verificar se o inconveniente foi resolvido;
- Em caso negativo, contacte a o Centro de Assistência técnica autorizada no número de telefone indicado no certificado de garantia.

! Nunca recorra a técnicos não autorizados.

Comunique:

- o tipo de anomalia;
- o modelo da máquina (Mod.);
- o número de série (S/N).

Estas informações encontram-se na placa colocada na parte traseira da máquina de lavar roupa e na parte anterior abrindo a porta de vidro.

GR

Ελληνικά

ARL 105

Περιεχόμενα

Εγκατάσταση, 38-39

Αποσυσκευασία και οριζοντίωση
Υδραυλικές και ηλεκτρικές συνδέσεις
Πρώτος κύκλος πλυσίματος
Τεχνικά στοιχεία

Περιγραφή του πλυντηρίου και εκκίνηση ενός προγράμματος, 40-41

Πίνακας ελέγχου
Ενδεικτικά φωτάκια
Εκκίνηση ενός προγράμματος

Προγράμματα, 42

Πίνακας των Προγραμμάτων

Εξατομικεύσεις, 43

Θέστε τη θερμοκρασία
Θέστε το στύψιμο
Λειτουργίες

Απορρυπαντικά και μπουγάδα, 44

Θήκη απορρυπαντικών
Κύκλος λεύκανσης
Προετοιμασία της μπουγάδας
Ειδικά ρούχα
Σύστημα ισοστάθμισης του φορτίου

Προφυλάξεις και συμβουλές, 45

Γενική ασφάλεια
Διάθεση
Χειρονακτικό άνοιγμα της πόρτας

Συντήρηση και φροντίδα, 46

Αποκλεισμός νερού και ηλεκτρικού ρεύματος
Καθαρισμός του πλυντηρίου
Καθαρισμός του συρταριού απορρυπαντικών
Φροντίδα της πόρτας και του κάδου
Καθαρισμός της αντλίας
Έλεγχος του σωλήνα τροφοδοσίας του νερού

Ανωμαλίες και λύσεις, 47

Υποστήριξη, 48

Εγκατάσταση

GR

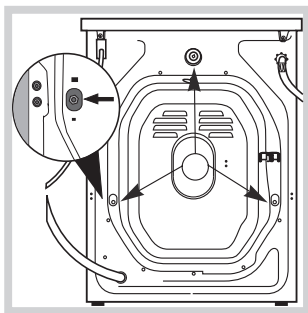
! Είναι σημαντικό να διατηρήσετε το εγχειρίδιο αυτό για να μπορείτε να το συμβουλευέστε οποιαδήποτε στιγμή. Σε περίπτωση πώλησης, παραχώρησης ή μετακόμισης, βεβαιωθείτε ότι παραμένει μαζί με το πλυντήριο για να πληροφορεί τον νέο ιδιοκτήτη για τη λειτουργία και τις σχετικές προειδοποιήσεις.

! Διαβάστε προσεκτικά τις οδηγίες: υπάρχουν σημαντικές πληροφορίες για την εγκατάσταση, τη χρήση και την ασφάλεια.

Αποσυσκευασία και οριζόντιωση

Αποσυσκευασία

1. Αποσυσκευάστε το πλυντήριο.
2. Ελέγξτε αν το πλυντήριο έχει υποστεί ζημιές κατά τη μεταφορά. Αν έχει υποστεί ζημιές μην το συνδέετε και επικοινωνήστε με τον μεταπωλητή.



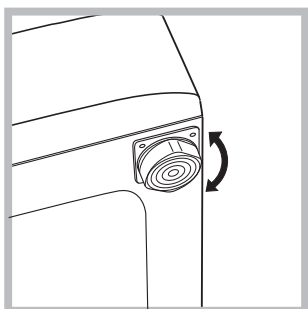
3. Αφαιρέστε τις 3 βίδες προστασίας για τη μεταφορά και το λαστιχάκι με το σχετικό διαχωριστικό, που βρίσκονται στο πίσω μέρος (βλέπε εικόνα).

4. Κλείστε τις οπές με τα πλαστικά πώματα που σας παρέχονται.
5. Διατηρείστε και τα τρία τεμάχια: αν το πλυντήριο χρειαστεί να μεταφερθεί, θα πρέπει να ξαναμονταριστούν.

! Οι συσκευασίες δεν είναι παιχνίδια για μικρά παιδιά.

Ευθυγράμμιση

1. Εγκαταστήστε το πλυντήριο σε ένα δάπεδο επίπεδο και ανθεκτικό, χωρίς να το ακουμπήσετε σε τοίχους, έπιπλα ή άλλο.

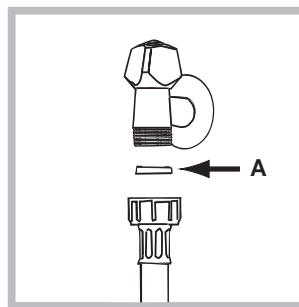


2. Αν το δάπεδο δεν είναι απόλυτα οριζοντιωμένο, αντισταθμίστε τις ανωμαλίες βιδώνοντας ή ξεβιδώνοντας τα πρόσθια ποδαράκια (βλέπε εικόνα). Η γωνία κλίσης, μετρημένη στην επιφάνεια εργασίας, δεν πρέπει να ξεπερνάει τις 2°.

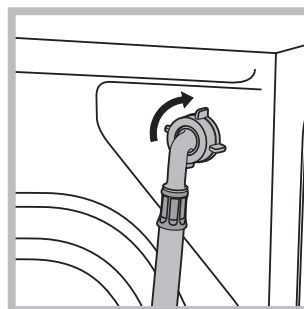
Μια φροντισμένη οριζόντιωση προσδίδει σταθερότητα στη μηχανή και αποσοβεί δονήσεις, θορύβους και μετατοπίσεις κατά τη λειτουργία. Σε περίπτωση μοκέτας ή τάπητα, ρυθμίστε τα ποδαράκια έτσι ώστε να υφίσταται κάτω από το πλυντήριο αρκετός χώρος για τον αερισμό.

Υδραυλικές και ηλεκτρικές συνδέσεις

Σύνδεση του σωλήνα τροφοδοσίας του νερού



1. Εισάγετε την τσιμούχα A στο άκρο του σωλήνα τροφοδοσίας και βιδώστε τη σε ένα κρουνό κρύου νερού με στόμιο σπειρώματος 3/4 gas (βλέπε εικόνα). Πριν τη σύνδεση, αφήστε να τρέξει το νερό μέχρι να γίνει διαυγές.



2. Συνδέστε το σωλήνα τροφοδοσίας στο πλυντήριο βιδώνοντάς τον στην αντίστοιχη είσοδο νερού, στο πίσω μέρος επάνω δεξιά (βλέπε εικόνα).

3. Προσέξτε ώστε στο σωλήνα να μην υπάρχουν ούτε πτυχώσεις, ούτε στενώσεις.

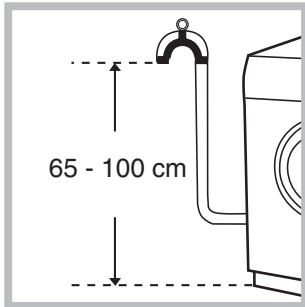
! Η πίεση νερού του κρουνού πρέπει να κυμαίνεται μεταξύ των τιμών του πίνακα Τεχνικά στοιχεία (βλέπε σελίδα δίπλα).

! Αν το μήκος του σωλήνα τροφοδοσίας δεν επαρκεί, απευθυνθείτε σε ένα ειδικευμένο κατάστημα ή σε ένα εξουσιοδοτημένο τεχνικό.

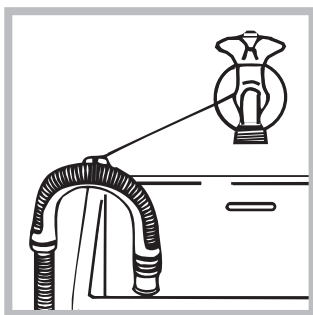
! Μη χρησιμοποιείτε ποτέ χρησιμοποιημένους σωλήνες.

! Χρησιμοποιείτε εκείνους που σας παρέχονται με τη μηχανή.

Σύνδεση του σωλήνα αδειάσματος



Συνδέστε αδειάσματος, χωρίς να τον διπλώσετε, σε έναν αγωγό εκκένωσης ή σε μια επιτοίχια αποχέτευση σε απόσταση από 65 έως 100 cm από το έδαφος.



Διαφορετικά αποθέστε τον στο χείλος ενός νιπτήρα ή μιας λεκάνης, δένοντας τον οδηγό που σας παρέχεται στον κρουνό (βλέπε εικόνα). Το ελεύθερο άκρο του σωλήνα αδειάσματος δεν πρέπει να παραμένει βυθισμένο στο νερό.

! Δεν συνιστάται η χρήση προεκτάσεων σωλήνων. Αν απαιτείται, η προέκταση πρέπει να έχει την ίδια διάμετρο του αρχικού σωλήνα και να μην ξεπερνάει τα 150 cm.

Ηλεκτρική σύνδεση

Πριν εισάγετε το βύσμα στην ηλεκτρική πρίζα, βεβαιωθείτε ότι:

- η πρίζα διαθέτει γείωση και τηρεί τις εκ του νόμου προδιαγραφές.
- Η πρίζα να είναι σε θέση να υποφέρει το μέγιστο φορτίο ισχύος της μηχανής, που αναφέρεται στον πίνακα Τεχνικών στοιχείων (βλέπε δίπλα).
- Η τάση τροφοδοσίας να κυμαίνεται μεταξύ των τιμών που αναφέρονται στον πίνακα Τεχνικών στοιχείων (βλέπε δίπλα).
- Η πρίζα να είναι συμβατή με το βύσμα του πλυντηρίου. Σε αντίθετη περίπτωση, αντικαταστήστε την πρίζα ή το βύσμα.

! Το πλυντήριο δεν εγκαθίσταται σε ανοιχτό χώρο, ακόμη και αν ο χώρος είναι καλυμμένος, διότι είναι πολύ επικίνδυνο να το αφήνετε εκτεθειμένο σε βροχή και κακοκαιρία.

! Με την εγκατάσταση του πλυντηρίου, η πρίζα ρεύματος πρέπει να είναι εύκολα προσβάσιμη.

! Μη χρησιμοποιείτε προεκτάσεις και πολύπριζα.

! Το καλώδιο δεν πρέπει να φέρει πτυχές ή να είναι συμπιεσμένο.



! Το καλώδιο τροφοδοσίας πρέπει να αντικαθίσταται μόνο από εξουσιοδοτημένους τεχνικούς.

Προσοχή! Η επιχείρηση αποποιείται κάθε ευθύνης σε περίπτωση που δεν τηρούνται αυτοί οι κανόνες.

Πρώτος κύκλος πλυσίματος

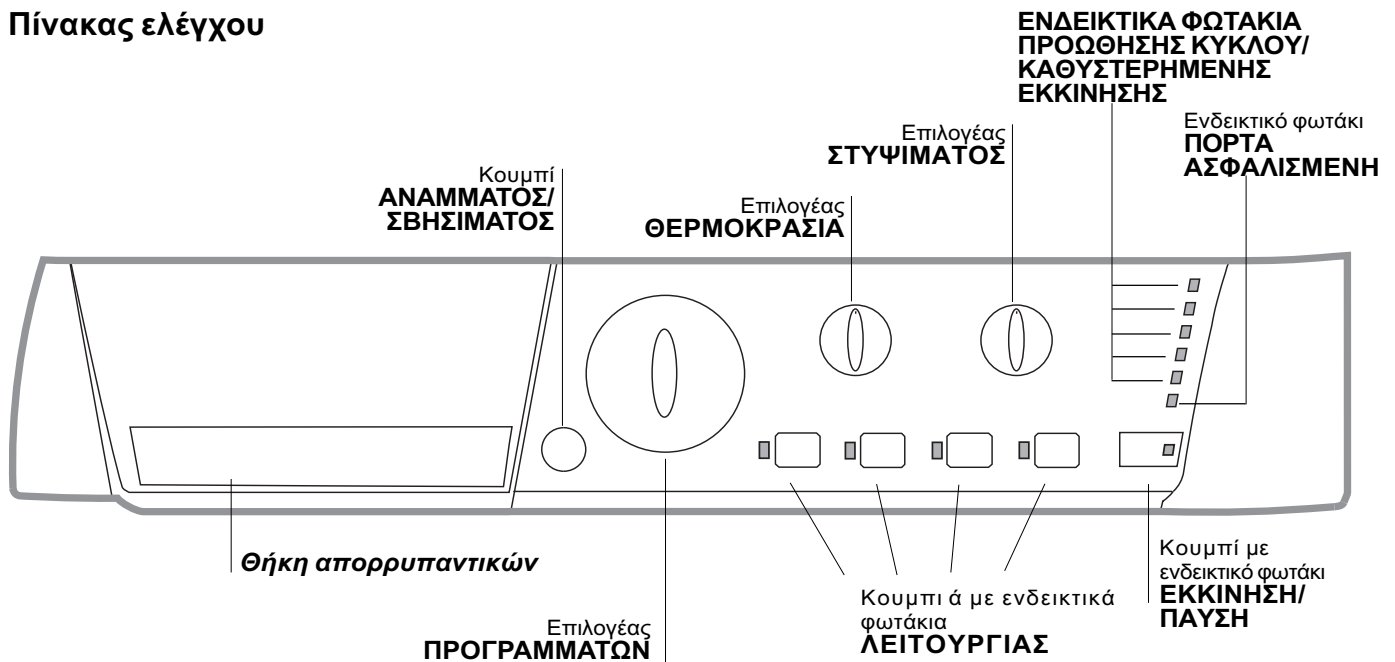
Μετά την εγκατάσταση, πριν τη χρήση, διενεργήστε ένα κύκλο πλυσίματος με απορρυπαντικό και χωρίς ρούχα θέτοντας το πρόγραμμα 2.

Τεχνικά στοιχεία

Μοντέλο	ARL 105
Διαστάσεις	πλάτος cm 59,5 ύψος cm 85 βάθος cm 52,5
Χωρητικότητα	από 1 έως 5 kg
Ηλεκτρικές συνδέσεις	Βλέπε την πινακίδα χαρακτηριστικών επί της μηχανής
Συνδέσεις νερού	μέγιστη πίεση 1 MPa (10 bar) Ελάχιστη πίεση 0,05 MPa (0,5 bar) χωρητικότητα του κάδου 46 λίτρα
Ταχύτητα στυσίματος	μέχρι 1000 στροφές το λεπτό
Προγράμματα ελέγχου σύμφωνα με τον κανονισμό EN 60456	πρόγραμμα 7; θερμοκρασία 60°C; εκτελούμενο με 5 kg μπουγάδας.
	Η συσκευή αυτή είναι σύμφωνη με τις ακόλουθες οιντοτικές Οδηγίες: - 89/336/CEE της 03/05/89 (Ηλεκτρομαγνητική Συμβατότητα) και μεταγενέστερες τροποποιήσεις - 2002/96/CE - 2006/95/CE (Χαμηλή Τάση)
	

Περιγραφή του πλυντηρίου και εκκίνηση ενός προγράμματος

Πίνακας ελέγχου



Θήκη απορρυπαντικών: για την προσθήκη απορρυπαντικών και πρόσθετων (βλέπε «Απορρυπαντικά και μπουγάδα»).

Στο εσωτερικό της θήκης απορρυπαντικών βρίσκεται το αναλόγιο, στο οποίο μπορείτε, ανά πάσα στιγμή, να συμβουλευτείτε ένα συνθετικό σχέδιο των προγραμμάτων.

Κουμπί ΑΝΑΜΜΑΤΟΣ/ΣΒΗΣΙΜΑΤΟΣ: Για να ανάψετε ή να σβήσετε το πλυντήριο.

Επιλογέας ΠΡΟΓΡΑΜΜΑΤΩΝ: για να θέσετε τα προγράμματα. Κατά τη διάρκεια του προγράμματος ο επιλογέας παραμένει ακίνητος.

Κουμπί με ενδεικτικά φωτάκια ΛΕΙΤΟΥΡΓΙΑΣ: για να επιλέξετε τις διαθέσιμες λειτουργίες. Το σχετικό με την επιλεγείσα λειτουργία ενδεικτικό φωτάκι θα παραμείνει αναμμένο.

Επιλογέας ΣΤΥΨΙΜΑΤΟΣ: για να θέσετε το στύψιμο ή να το αποκλείσετε (βλέπε «Εξατομικεύσεις»).

Επιλογέας ΘΕΡΜΟΚΡΑΣΙΑ: για να θέσετε τη θερμοκρασία ή το πλύσιμο σε κρύο νερό (βλέπε «Εξατομικεύσεις»).

ΕΝΔΕΙΚΤΙΚΑ ΦΩΤΑΚΙΑ ΠΡΟΩΘΗΣΗΣ ΚΥΚΛΟΥ/ΚΑΘΥΣΤΕΡΗΜΕΝΗΣ ΕΚΚΙΝΗΣΗΣ: για να ακολουθείτε την κατάσταση προόδου του προγράμματος πλυσίματος.

Το αναμμένο ενδεικτικό φωτάκι δείχνει την σε εξέλιξη φάση.

Αν τέθηκε η λειτουργία “Καθυστερημένη εκκίνηση”, θα δείχνουν τον χρόνο που υπολείπεται για την έναρξη του προγράμματος (βλέπε σελίδα δίπλα).

Ενδεικτικό φωτάκι ΠΟΡΤΑ ΑΣΦΑΛΙΣΜΕΝΗ: για να καταλάβετε αν η πόρτα ανοίγει (βλέπε σελίδα δίπλα).

Κουμπί με ενδεικτικό φωτάκι ΕΚΚΙΝΗΣΗ/ΠΑΥΣΗ: για την εκκίνηση των προγραμμάτων ή την προσωρινή διακοπή τους.

ΣΗΜΕΙΩΣΗ: για να θέσετε σε παύση το σε εξέλιξη πλύσιμο, πιάστε το κουμπί αυτό, το σχετικό ενδεικτικό φωτάκι θα ανάψει με πορτοκαλί χρώμα ενώ εκείνο της σε εξέλιξης φάσης θα είναι συνεχώς αναμμένο. Αν το ενδεικτικό φωτάκι ΠΟΡΤΑ ΑΣΦΑΛΙΣΜΕΝΗ =ο σβήσει, μπορείτε να ανοίξετε την πόρτα.

Για να ξεκινήσει πάλι το πλύσιμο από το σημείο διακοπής, πατήστε εκ νέου το κουμπί αυτό.

Ενδεικτικά φωτάκια

Τα ενδεικτικά φωτάκια παρέχουν σημαντικές πληροφορίες.

Να τι μας λένε:

Καθυστερημένη εκκίνηση

Αν ενεργοποιήθηκε η λειτουργία “Καθυστερημένη εκκίνηση” (βλέπε “Εξατομικεύσεις”), αφού εκκινήσετε το πρόγραμμα, θα αρχίσει να αναβοσβήνει το ενδεικτικό φωτάκι το σχετικό με την επιλεγμένη καθυστέρηση:



Με το πέρασμα του χρόνου θα απεικονίζεται η υπολειπόμενη καθυστέρηση, με το σχετικό ενδεικτικό φωτάκι να αναβοσβήνει.



Αφού διανυθεί η επιλεγείσα καθυστέρηση το ενδεικτικό φωτάκι που αναβοσβήνει θα σβήσει και θα αρχίσει το τεθέν πρόγραμμα.

Εκκίνηση ενός προγράμματος

1. Ανάψτε το πλυντήριο πιέζοντας το κουμπί ANAMMA/ΣΒΗΣΙΜΟ. Όλα τα ενδεικτικά φωτάκια θα ανάψουν μερικά δευτερόλεπτα, μετά θα σβήσουν και θα πάλλεται το ενδεικτικό φωτάκι ΕΚΚΙΝΗΣΗ/ΠΑΥΣΗ.
2. Φορτώστε τη μπουγάδα και κλείστε την πόρτα.
3. Θέστε με τον επιλογέα ΠΡΟΓΡΑΜΜΑΤΩΝ το επιθυμητό πρόγραμμα.
4. Θέστε τη θερμοκρασία πλυσίματος (βλέπε «Εξατομικεύσεις»).
5. Θέστε την ταχύτητα στύψιματος (βλέπε «Εξατομικεύσεις»).
6. Χύστε απορρυπαντικό και πρόσθετα (βλέπε «Απορρυπαντικά και μπουγάδα»).
7. Επιλέξτε τις διαθέσιμες λειτουργίες.
8. Εκκινήστε το πρόγραμμα πιέζοντας το κουμπί ΕΚΚΙΝΗΣΗ/ΠΑΥΣΗ και το σχετικό ενδεικτικό φωτάκι θα παραμείνει αναμμένο συνεχώς με πράσινο χρώμα.
Για να ακυρώσετε τον τεθέντα κύκλο θέστε τη μηχανή σε παύση πιέζοντας το κουμπί ΕΚΚΙΝΗΣΗ/ΠΑΥΣΗ και επιλέξτε ένα νέο κύκλο.
9. Στο τέλος του προγράμματος θα φωτιστεί το ενδεικτικό φωτάκι END. Το ενδεικτικό φωτάκι ΠΟΡΤΑ ΑΣΦΑΛΙΣΜΕΝΗ θα σβήσει δείχνοντας ότι η πόρτα μπορεί να ανοίξει. Βγάλτε τη μπουγάδα και αφήστε την πόρτα μισόκλειστη για να στεγνώσει ο κάδος.
Σβήστε το πλυντήριο πιέζοντας το κουμπί ANAMMA/ΣΒΗΣΙΜΟ.

Ενδεικτικά φωτάκι φάσης σε εξέλιξη

Κατά τον επιθυμητό κύκλο πλυσίματος, τα ενδεικτικά φωτάκια θα ανάψουν προοδευτικά για να δείξουν την κατάσταση προώθησης:



Κουμπιά λειτουργίας και σχετικά ενδεικτικά φωτάκια

Επιλέγοντας μια λειτουργία το σχετικό ενδεικτικό φωτάκι θα φωτιστεί.

Αν η επιλεγμένη λειτουργία δεν είναι συμβατή με το τεθέν πρόγραμμα το σχετικό ενδεικτικό φωτάκι θα αναβοσβήνει και η λειτουργία δεν θα ενεργοποιηθεί. Στην περίπτωση που τεθεί μια λειτουργία μη συμβατή με μια άλλη που επιλέχθηκε προηγουμένως θα παραμείνει ενεργή μόνο η τελευταία επιλογή.

☞ Ενδεικτικό φωτάκι ασφαλισμένης πόρτας

Το αναμμένο ενδεικτικό φωτάκι δείχνει ότι η πόρτα είναι ασφαλισμένη για την παρεμπόδιση τυχαίων ανοιγμάτων. Για την αποφυγή ζημιών πρέπει να περιμένετε να σβήσει το ενδεικτικό φωτάκι πριν το άνοιγμα της πόρτας.

ΣΗΜΕΙΩΣΗ: αν είναι ενεργή η λειτουργία “Καθυστερημένη εκκίνηση” η πόρτα δεν μπορεί να ανοίξει, για να την ανοίξετε θέστε τη μηχανή σε παύση πιέζοντας το κουμπί ΕΚΚΙΝΗΣΗ/ΠΑΥΣΗ.

! Το ταχύ αναβοσβήσιμο του φωτός ΕΚΚΙΝΗΣΗ/ΠΑΥΣΗ (πορτοκαλί) ταυτόχρονα με εκείνο των λειτουργιών επισημαίνει μια ανωμαλία (βλέπε “Ανωμαλίες και λύσεις”).

Προγράμματα

Πίνακας των Προγραμμάτων

Προγράμματα	Περιγραφή του Προγράμματος	Μέγιστη θερμοκρ. (°C)	Μέγιστη ταχύτητα (στροφές ανά λεπτό)	Απορρυπαντικά			Μέγιστο φορτίο. (Kg)	Διάρκεια κύκλου
				Λευκαντικό	Πλύσιμο	Μαλακτικό		
Ειδικά Προγράμματα								
7	ΚΥΚΛΟΣ ΑΠΟΣΤΕΙΡΩΣΗΣ: Λευκά εξαιρετικά λερωμένα.	90°	1000	●	●	●	5	165
7	ΚΥΚΛΟΣ ΑΠΟΣΤΕΙΡΩΣΗΣ (1): Λευκά και χρωματιστά ανθεκτικά, πολύ λερωμένα.	60°	1000	-	●	●	5	133
8	ΑΛΗΝΥΧΤΑ: Χρωματιστά ευαίσθητα λίγο λερωμένα.	40°	800	-	●	●	3	288
9	ΠΑΥΣΗ ΓΙΑ ΜΩΡΑ: Χρωματιστά ευαίσθητα λίγο λερωμένα.	40°	800	-	●	●	2	118
10	ΠΟΙΚΑΜΙΣΑ	40°	600	-	●	●	2	69
11	ΜΕΤΑΞΩΤΑ/ ΟΥΡΤ'ΙΝΕΣ: Για μεταξωτά ρούχα, βισκόζη, λινά.	30°	0	-	●	●	1	55
12	Μ'ΑΛΛΙΝΑ: Για μάλλινα, cachemire, κλπ.	40°	600	-	●	●	1	55
Προγράμματα για όλες τις μέρες								
1	ΒΑΜΒΑΚΕΡ'Α ΠΡΟΠΛΥΣΗ: Λευκά εξαιρετικά λερωμένα.	90°	1000	-	●	●	5	155
2	ΒΑΜΒΑΚΕΡ'Α: Λευκά και χρωματιστά ανθεκτικά, πολύ λερωμένα.	60°	1000	●	●	●	5	119
2	ΒΑΜΒΑΚΕΡ'Α (2): Λευκά και χρωματιστά ευαίσθητα, πολύ λερωμένα.	40°	1000	●	●	●	5	115
3	ΒΑΜΒΑΚΕΡ'Α ΧΡΩΜΑΤΙΣΤ'Α (3): Λευκά λίγο λερωμένα και ευαίσθητα χρώματα.	40°	1000	●	●	●	5	85
4	ΣΥΝΘΕΤΙΚΑ: Χρωματιστά ανθεκτικά, πολύ λερωμένα.	60°	800	-	●	●	2,5	85
4	ΣΥΝΘΕΤΙΚΑ 40°: Χρωματιστά ανθεκτικά, λίγο λερωμένα.	40°	800	-	●	●	2,5	70
5	ΦΡΕΣΚΑΡΙΣΜΑ 30': Για το γρήγορο φρεσκάρισμα ρούχων ελαφρά λερωμένων (δεν ενδείκνυται για μάλλινα, μεταξωτά και ρούχα που πλένονται στο χέρι).	30°	800	-	●	●	3	30
6	ΦΡΕΣΚΑΡΙΣΜΑ 15': Για το γρήγορο φρεσκάρισμα ρούχων ελαφρά λερωμένων (δεν ενδείκνυται για μάλλινα, μεταξωτά και ρούχα που πλένονται στο χέρι).	30°	800	-	●	●	1,5	15
Επί μέρους προγράμματα								
A	ΞΕΒΓΑΛΜΑ ΒΑΜΒΑΚΕΡΑ	-	1000	-	-	●	5	36
B	ΣΤΥΨΙΜΟ ΑΝΘΕΚΤΙΚΑ	-	1000	-	-	-	5	16
C	ΣΕΥΨΙΜΟ ΕΥΑΙΣΘΗΤΑ	-	800	-	-	-	2,5	12
D	ΑΜΟΧΕΤΕΥΣΗ ΝΕΡΟΥ	-	0	-	-	-	5	2

Τα στοιχεία που αναφέρονται στον πίνακα είναι ενδεικτικά.

Για όλα τα Test Institutes:

- 1) Πρόγραμμα ελέγχου σύμφωνα με την προδιαγραφή EN 60456: θέστε το πρόγραμμα 7 σε μια θερμοκρασία 60°C.
- 2) Πρόγραμμα βαμβακερών μακρύ: θέστε το πρόγραμμα 2 σε μια θερμοκρασία 40°C.
- 3) Πρόγραμμα βαμβακερών σύντομο: θέστε το πρόγραμμα 3 σε μια θερμοκρασία 40°C.

Ειδικά προγράμματα

ΚΥΚΛΟΣ ΑΠΟΣΤΕΙΡΩΣΗΣ (πρόγραμμα 7). Ένα εξυγιαντικό πρόγραμμα σε υψηλές θερμοκρασίες που προβλέπει τη χρήση λευκαντικού σε θερμοκρασίες ανώτερες των 60°C. Για τη λεύκανση χύστε το λευκαντικό, τα απορρυπαντικά και τα πρόσθετα στα σχετικά διαμερίσματα (βλέπε παράγραφο "Συρτάρι των απορρυπαντικών").

ΑΛΗΝΥΧΤΑ (πρόγραμμα 8). Είναι ένας αθόρυβος κύκλος που μπορεί να δουλεύει τη νύχτα όταν το τιμολόγιο του ηλεκτρικού είναι μειωμένο. Το πρόγραμμα μελετήθηκε για συνθετικά και βαμβακερά τούχα. Στο τέλος του κύκλου η μηχανή σταματάει με το νερό στη λεκάνη. Για το στύψιμο και το άδειασμα πιέστε το κουμπί ΕΚΚΙΝΗΣΗ/ΠΑΥΣΗ, διαφορετικά μετά από 8 ώρες η μηχανή θα κάνει αυτόματα το στύψιμο και το άδειασμα του νερού.

ΠΑΥΣΗ ΓΙΑ ΜΩΡΑ (πρόγραμμα 9). Πρόγραμμα ικανό να απομακρύνει τους λεκέδες τυπικούς των μωρών, διασφαλίζοντας την απομάκρυνση του απορρυπαντικού από τα ρούχα για την αποφυγή αλλεργιών στο ευαίσθητο δέρμα των μωρών. Ο κύκλος μελετήθηκε για να μειώνει το βακτηριδιακό φορτίο χρησιμοποιώντας μικρότερη ποσότητα νερού και βελτιστοποιώντας την επίδραση των ειδικών εξυγιαντικών πρόσθετων στο απορρυπαντικό. Στο τέλος του πλυσίματος η μηχανή διενεργεί αργές περιστροφές του κάδου για την αποφυγή δημιουργίας πτυχώσεων. Για να τελειώσει ο κύκλος πιέστε το κουμπί ΕΚΚΙΝΗΣΗ/ΠΑΥΣΗ.

ΦΡΕΣΚΑΡΙΣΜΑ 30' (πρόγραμμα 5) μελετήθηκε για το πλύσιμο ρούχων ελαφρά λερωμένων σε σύντομο χρόνο: διαρκεί μόνο 30 λεπτά και σας εξοικονομεί χρόνο και ενέργεια. Θέτοντας το πρόγραμμα (5 σε 30°C) μπορείτε να πλύνετε μαζί υφάσματα διαφορετικής φύσης (εκτός μάλλινων και μεταξωτών) με ένα μέγιστο φορτίο 3 kg.

ΦΡΕΣΚΑΡΙΣΜΑ 15' (πρόγραμμα 6) μελετήθηκε για το πλύσιμο ρούχων ελαφρά λερωμένων σε σύντομο χρόνο: διαρκεί μόνο 15 λεπτά και σας εξοικονομεί χρόνο και ενέργεια. Θέτοντας το πρόγραμμα (6 σε 30°C) μπορείτε να πλύνετε μαζί υφάσματα διαφορετικής φύσης (εκτός μάλλινων και μεταξωτών) με ένα μέγιστο φορτίο 1,5 kg.

Θέστε τη θερμοκρασία

Στρέφοντας τον επιλογέα ΘΕΡΜΟΚΡΑΣΙΑ τίθεται η θερμοκρασία πλυσίματος (βλέπε *Πίνακα προγραμμάτων*).

Η θερμοκρασία μπορεί να μειωθεί μέχρι το πλύσιμο σε κρύο νερό (❄).

Το μηχάνημα θα παρεμποδίσει αυτόματα τη θέση θερμοκρασίας μεγαλύτερης της μέγιστης προβλεπόμενης για κάθε πρόγραμμα.

Θέστε το στύψιμο

Στρέφοντας τον επιλογέα ΣΤΥΨΙΜΟ τίθεται η ταχύτητα στυψίματος του επιλεγμένου προγράμματος.

Οι μέγιστες προβλεπόμενες ταχύτητες για τα προγράμματα είναι:

Προγράμματα Μέγιστη ταχύτητα

Βαμβακερά 1000 στροφές ανά λεπτό

Συνθετικά 800 στροφές ανά λεπτό

Μάλλινα 600 στροφές ανά λεπτό

Μεταξωτά μόνο άδειασμα

Η ταχύτητα στυψίματος μπορεί να ελαττωθεί ή να αποκλειστεί επιλέγοντας το σύμβολο ⚙.

Το μηχάνημα θα παρεμποδίσει αυτόματα τη διενέργεια στυψίματος μεγαλύτερου του μέγιστου προβλεπόμενου για κάθε πρόγραμμα.

Λειτουργίες

Οι διάφορες λειτουργίες πλυσίματος που προβλέπονται από το πλυντήριο επιτρέπουν την επίτευξη του καθαρισμού και του λευκού που επιθυμείτε.

Για την ενεργοποίηση των λειτουργιών:

1. Πιέστε το πλήκτρο το σχετικό με την επιλεγμένη λειτουργία.
2. Το άναμμα του ενδεικτικού φωτός επισημαίνει ότι η λειτουργία είναι ενεργή.

Παρατήρηση: Το γρήγορο αναβοσβήσιμο του ενδεικτικού φωτός δείχνει ότι η σχετική λειτουργία δεν μπορεί να επιλεγεί για το τεθέν πρόγραμμα.

☹ Καθυστερημένη εκκίνηση

Καθυστερεί την εκκίνηση του μηχανήματος μέχρι 12 ώρες.

Πιέστε πολλές φορές το πλήκτρο μέχρι να ανάψει το ενδεικτικό φωτάκι το σχετικό με την επιθυμητή καθυστέρηση. Στην πέμπτη φορά που θα πιέσετε το κουμπί η λειτουργία θα απενεργοποιηθεί.

ΣΗΜΕΙΩΣΗ: Αφού πατηθεί το πλήκτρο ΕΚΚΙΝΗΣΗ/ΠΑΥΣΗ, μπορείτε να αλλάξετε την τιμή καθυστέρησης μόνο μειώνοντάς την.

! Είναι ενεργό με όλα τα προγράμματα.

⚙ Εύκολο σιδέρωμα

Επιλέγοντας τη λειτουργία αυτή, το πλύσιμο και το στύψιμο θα τροποποιηθούν κατάλληλα για τη μείωση σχηματισμού τσαλακωμάτων. Στο τέλος του κύκλου πλύσης θα γίνουν αργές περιστροφές του κάδου. Το ενδεικτικό φωτάκι της λειτουργίας ΕΥΚΟΛΟ ΣΙΔΕΡΩΜΑ και της ΕΚΚΙΝΗΣΗΣ/ΠΑΥΣΗΣ θα αναβοσβήνουν (πορτοκαλί) και η φάση END θα παραμείνει συνεχώς αναμμένη. Για το πέρας του κύκλου πατήστε το κουμπί ΕΚΚΙΝΗΣΗ/ΠΑΥΣΗ ή το κουμπί ΕΥΚΟΛΟ ΣΙΔΕΡΩΜΑ.

Στο πρόγραμμα Μεταξωτά η μηχανή θα τελειώσει τον κύκλο με την μπουγάδα σε μούλιασμα και το ενδεικτικό φωτάκι της λειτουργίας ΕΥΚΟΛΟ ΣΙΔΕΡΩΜΑ και της ΕΚΚΙΝΗΣΗΣ/ΠΑΥΣΗΣ θα αναβοσβήνουν (πορτοκαλί) και η φάση ΞΕΒΓΑΛΜΑΤΟΣ θα παραμείνει συνεχώς αναμμένη. Για να αδειάσετε το νερό και να μπορείτε να βγάλετε την μπουγάδα πρέπει να πατήσετε το κουμπί ΕΚΚΙΝΗΣΗ/ΠΑΥΣΗ ή το κουμπί ΕΥΚΟΛΟ ΣΙΔΕΡΩΜΑ.

! Δεν είναι ενεργό στα προγράμματα 5, 6, 7, 8, 9, 12, B, C, D.

👑 Έξτρα Ξέβγαλμα

Επιλέγοντας τη δυνατότητα αυτή αυξάνεται η αποτελεσματικότητα του ξεβγάλματος και εξασφαλίζεται η μέγιστη απομάκρυνση του απορρυπαντικού. Είναι χρήσιμο για επιδερμίδες ιδιαίτερα ευαίσθητες.

! Δεν είναι ενεργό στα προγράμματα 5, 6, B, C, D.

👕 Super Wash

Χάρη στη χρήση μεγαλύτερης ποσότητας νερού στην αρχική φάση του κύκλου και στη χρήση περισσότερου χρόνου, η δυνατότητα αυτή εξασφαλίζει ένα πλύσιμο υψηλών επιδόσεων.

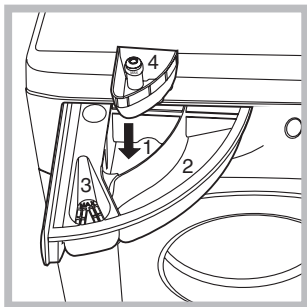
! Δεν είναι ενεργό στα προγράμματα 5, 6, 7, 11, 12, A, B, C, D.

Απορρυπαντικά και μπουγάδα

Θήκη απορρυπαντικών

Το καλό αποτέλεσμα του πλυσίματος εξαρτάται επίσης και από τη σωστή δοσολογία του απορρυπαντικού: υπερβάλλοντας δεν πλένουμε αποτελεσματικότερα και συντελούμε στη δημιουργία κρούστας στα εσωτερικά μέρη του πλυντηρίου και στη μόλυνση του περιβάλλοντος.

! Μην χρησιμοποιείτε απορρυπαντικά για πλύσιμο στο χέρι, διότι παράγουν πολύ αφρό.



Βγάλτε τη θήκη απορρυπαντικών και εισάγετε το απορρυπαντικό ή το πρόσθετο ως εξής.

θήκη 1: Απορρυπαντικό για πρόπλυση (σε σκόνη)

Πριν χύσετε το απορρυπαντικό ελέγξτε αν έχει εισαχθεί η πρόσθετη λεκανίτσα 4.

θήκη 2: Απορρυπαντικό για πλύσιμο (σε σκόνη ή υγρό)

Το υγρό απορρυπαντικό χύνεται μόνο πριν την εκκίνηση.

θήκη 3: Πρόσθετα (μαλακτικό, κλπ.)

Το μαλακτικό δεν πρέπει να διαφεύγει από το πλέγμα.

θήκη πρόσθετη 4: Λευκαντικό

Κύκλος λεύκανσης

Η λεύκανση μπορεί να διενεργηθεί μόνο με τα προγράμματα **2, 3, 7**.

Χύστε το λευκαντικό στην πρόσθετη λεκανίτσα **4**, το απορρυπαντικό και το μαλακτικό στις σχετικές λεκανίτσες, κατόπιν θέστε ένα από τα προαναφερθέντα προγράμματα.

Ενδείκνυται μόνο για ρούχα βαμβακερά πολύ λερωμένα.

Προετοιμασία της μπουγάδας

- Χωρίστε τη μπουγάδα ανάλογα:
 - με το είδος του υφάσματος/ το σύμβολο της ετικέτας.
 - τα χρώματα: χωρίστε τα χρωματιστά ρούχα από τα λευκά.
- Εκκενώστε τις τσέπες και ελέγξτε τα κουμπιά.
- Μην ξεπερνάτε τις υποδεικνυόμενες τιμές, σε σχέση με το βάρος της στεγνής μπουγάδας:
 - Ανθεκτικά υφάσματα: max 5 kg
 - Συνθετικά υφάσματα: max 2,5 kg
 - Ευαίσθητα υφάσματα: max 2 kg
 - Μάλλινα: max 1 kg

Πόσο ζυγίζει η μπουγάδα;

- 1 σεντόνι 400-500 gr.
- 1 μαξιλαροθήκη 150-200 gr.
- 1 τραπεζομάντιλο 400-500 gr.
- 1 μπουρνούζι 900-1.200 gr.
- 1 πετσέτα 150-250 gr.


Ειδικά ρούχα

Ποικαμια: χρησιμοποιήστε το αντίστοιχο πρόγραμμα **10** για να πλύνετε πουκάμισα διαφόρων ειδών υφάσματος και χρώματος.

Εξασφαλίζει τη μέγιστη φροντίδα ελαχιστοποιώντας το σχηματισμό τσαλακωμάτων.

Μεταξωτά: χρησιμοποιήστε το αντίστοιχο πρόγραμμα **11** για να πλύνετε όλα τα μεταξωτά ρούχα. Συνιστάται η χρήση ενός ειδικού απορρυπαντικού για ευαίσθητα ρούχα.

Κουρτίνες: διπλώστε τις μέσα σε ένα μαξιλάρι ή σε ένα δικτυωτό σακούλι. Χρησιμοποιήστε το πρόγραμμα **11**.

Μάλλινα: Το Hotpoint/Ariston είναι το μοναδικό πλυντήριο που κατέκτησε τη σημαντική αναγνώριση Woolmark Platinum Care (M.0508) εκ μέρους της The Woolmark Company, που πιστοποιεί το πλύσιμο στο πλυντήριο όλων των μάλλινων ρούχων καθώς και εκείνων που φέρουν την ετικέτα “μόνο πλύσιμο στο χέρι” . Με το πρόγραμμα **12** έχετε συνεπώς απόλυτη βεβαιότητα να πλένετε στο πλυντήριο όλα τα μάλλινα ρούχα (max. 1 kg) με την εγγύηση των καλύτερων επιδόσεων.

Σύστημα ισοστάθμισης του φορτίου

Πριν από κάθε στύψιμο, για να αποφύγετε δονήσεις υπερβολικές και για να κατανείμετε ομοιόμορφα το φορτίο, ο κάδος διενεργεί περιστροφές σε μια ταχύτητα ελαφρά ανώτερη εκείνης του πλυσίματος. Αν στο τέλος των διαδοχικών προσπαθειών το φορτίο δεν έχει ακόμη εξισορροπηθεί σωστά η μηχανή διενεργεί το στύψιμο σε μια ταχύτητα χαμηλότερη της προβλεπόμενης. Παρουσία υπερβολικής αστάθειας, το πλυντήριο διενεργεί την κατανομή αντί του στυψίματος. Για να ευνοηθεί καλύτερη κατανομή του φορτίου και της σωστής εξισορρόπησης συνιστάται η ανάμιξη ρούχων μεγάλων και μικρών διαστάσεων.

! Το πλυντήριο σχεδιάστηκε και κατασκευάστηκε σύμφωνα με τους διεθνείς κανόνες ασφαλείας. Αυτές οι προειδοποιήσεις παρέχονται για λόγους ασφαλείας και πρέπει να διαβάζονται προσεκτικά.

Γενική ασφάλεια

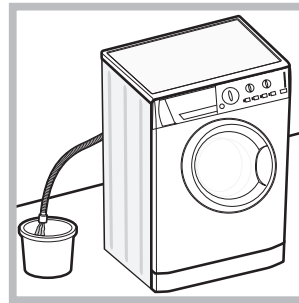
- Η συσκευή αυτή σχεδιάστηκε αποκλειστικά για οικιακή χρήση.
- Το πλυντήριο πρέπει να χρησιμοποιείται μόνο από ενήλικα άτομα και σύμφωνα με τις οδηγίες που αναφέρονται στο παρόν εγχειρίδιο.
- Μην αγγίζετε το μηχάνημα με γυμνά πόδια ή με τα χέρια ή τα πόδια βρεγμένα.
- Μην βγάζετε το βύσμα από την ηλεκτρική πρίζα τραβώντας το καλώδιο, αλλά να πιάνετε την πρίζα.
- Μην ανοίγετε το συρταράκι απορρυπαντικών ενώ το μηχάνημα είναι σε λειτουργία.
- Μην αγγίζετε το νερό αδειάσματος, αφού μπορεί να φτάσει σε υψηλές θερμοκρασίες.
- Μην ζορίζετε σε καμία περίπτωση την πόρτα: θα μπορούσε να χαλάσει ο μηχανισμός ασφαλείας που προστατεύει από τυχαία ανοίγματα.
- Σε περίπτωση βλάβης, σε καμία περίπτωση να μην επεμβαίνετε στους εσωτερικούς μηχανισμούς προσπαθώντας να την επισκευάσετε.
- Να ελέγχετε πάντα τα παιδιά να μην πλησιάζουν στο μηχάνημα σε λειτουργία.
- Κατά το πλύσιμο η πόρτα τείνει να θερμαίνεται.
- Αν πρέπει να μετατοπιστεί, συνεργαστείτε δύο ή τρία άτομα με τη μέγιστη προσοχή. Ποτέ μόνοι σας γιατί το μηχάνημα είναι πολύ βαρύ.
- Πριν εισάγετε τη μπουγάδα ελέγξτε αν ο κάδος είναι άδειος.

Διάθεση

- Διάθεση του υλικού συσκευασίας: τηρείτε τους τοπικούς κανονισμούς, ώστε οι συσκευασίες να μπορούν να επαναχρησιμοποιηθούν.
- Η ευρωπαϊκή οδηγία 2002/96/ΕΚ για τα Απόβλητα Ηλεκτρικού και Ηλεκτρονικού Εξοπλισμού, απαιτεί ότι οι παλαιές οικιακές ηλεκτρικές συσκευές δεν πρέπει να αποβάλλονται μαζί με τα υπόλοιπα απόβλητα του δημοτικού δικτύου. Οι παλαιές συσκευές πρέπει να συλλεχθούν χωριστά προκειμένου να βελτιστοποιηθούν η αποκατάσταση και η ανακύκλωση των υλικών που περιέχουν και με σκοπό τη μείωση των βλαβερών επιπτώσεων στην ανθρώπινη υγεία και το περιβάλλον. Το σύμβολο με το διεγγραμμένο "δοχείο αποβλήτων" στο προϊόν υπενθυμίζει σε σας την υποχρέωσή σας, πως όταν επιθυμείτε να πετάξετε τη συσκευή, πρέπει να συλλεχθεί χωριστά.
Οι καταναλωτές θα πρέπει να απευθύνονται στις τοπικές αρχές ή στα καταστήματα λιανικής για πληροφορίες που αφορούν τη σωστή διάθεση των παλαιών ηλεκτρικών συσκευών.

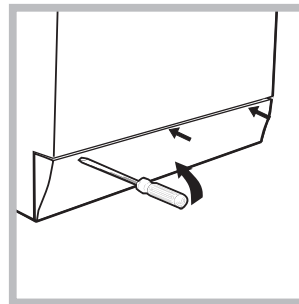
Χειρονακτικό άνοιγμα της πόρτας

Στην περίπτωση αδυναμίας ανοίγματος της πόρτας εξ αιτίας απουσίας ηλεκτρικής ενέργειας ενώ θέλετε να απλώσετε την μπουγάδα, προχωρήστε ως ακολούθως:

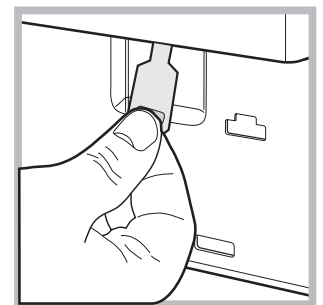
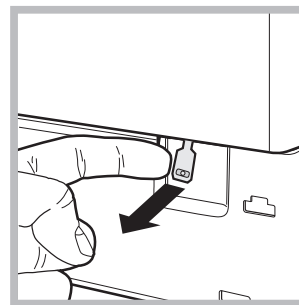


1. βγάλτε το βύσμα από την ηλεκτρική πρίζα.
2. βεβαιωθείτε ότι η στάθμη του νερού στο εσωτερικό της μηχανής είναι χαμηλότερη σε σχέση με το άνοιγμα της πόρτας. Σε αντίθετη περίπτωση αφαιρέστε το σε περίσσεια νερό μέσω του σωλήνα αδειάσματος

συλλέγοντάς το σε ένα κουβά όπως φαίνεται στη *εικόνα*.



3. αφαιρέστε το ταμπλό κάλυψης στο πρόσθιο πλευρό του πλυντηρίου με τη βοήθεια ενός κατσαβιδιού (*βλέπε εικόνα*).



4. χρησιμοποιώντας τη γλωσσίτσα που φαίνεται στην εικόνα τραβήξτε προς τα έξω μέχρι να ελευθερώσετε το πλαστικό από το στοπ. Τραβήξτε το ακολούθως προς τα κάτω και ταυτόχρονα ανοίξτε την πόρτα.

5. ξαναμοντάρετε το πάνελ όντας σίγουροι, πριν το σπρώξετε προς τη μηχανή, ότι έχετε εισάγει τα γαντζάκια στις αντίστοιχες εσοχές.

Συντήρηση και φροντίδα

GR

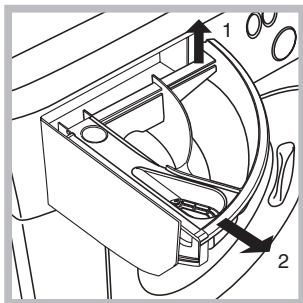
Αποκλεισμός νερού και ηλεκτρικού ρεύματος

- Κλείνετε τον κρουνό του νερού μετά από κάθε πλύσιμο. Έτσι περιορίζεται η φθορά της υδραυλικής εγκατάστασης του πλυντηρίου και αποσοβείται ο κίνδυνος απωλειών.
- Να βγάξετε το βύσμα από το ρεύμα όταν καθαρίζετε το μηχάνημα και κατά τις εργασίες συντήρησης.

Καθαρισμός του πλυντηρίου

Το εξωτερικό μέρος και τα λαστιχένια μέρη μπορούν να καθαρίζονται με ένα πανί βρεγμένο με χλιαρό νερό και σαπούνι. Μη χρησιμοποιείτε διαλύτες ή αποξυστικά.

Καθαρισμός του συρταριού απορρυπαντικών



Τραβήξτε το συρτάρι ανασηκώνοντάς το και τραβώντας το προς τα έξω (βλέπε εικόνα). Πλένετέ το κάτω από τρεχούμενο νερό. Ο καθαρισμός αυτός διενεργείται συχνά.

Φροντίδα της πόρτας και του κάδου

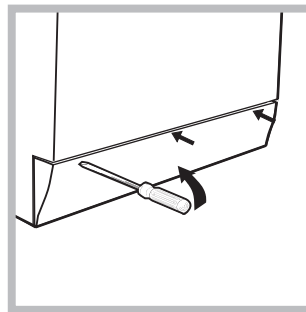
- Να αφήνετε πάντα μισόκλειστη την πόρτα για να μην παράγονται δυσοσμίες.

Καθαρισμός της αντλίας

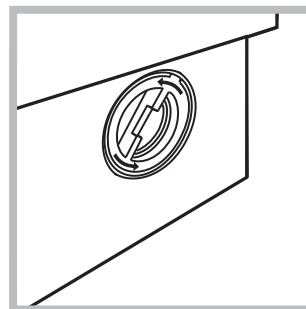
Το πλυντήριο διαθέτει μια αντλία αυτοκαθαριζόμενη που δεν χρειάζεται συντήρηση. Μπορεί, όμως, να τύχει να πέσουν μικρά αντικείμενα (κέρματα, κουμπιά) στον προθάλαμο που προστατεύει την αντλία, που βρίσκεται στο κάτω μέρος αυτής.

! Βεβαιωθείτε ότι ο κύκλος πλυσίματος έχει τελειώσει και βγάλτε το βύσμα.

Για να έχετε πρόσβαση στον προθάλαμο:



1. αφαιρέστε το ταμπλό κάλυψης στο πρόσθιο πλευρό του πλυντηρίου με τη βοήθεια ενός κατασαβιδιού (βλέπε εικόνα).



2. Ξεβιδώστε το καπάκι στρέφοντάς το αριστερόστροφα (βλέπε εικόνα): είναι φυσικό να βγαίνει λίγο νερό.

3. καθαρίστε επιμελώς το εσωτερικό.
4. ξαναβιδώστε το καπάκι.
5. ξαναμοντάρετε το πάνελ όντας σίγουροι, πριν το σπρώξετε προς τη μηχανή, ότι έχετε εισάγει τα γαντζάκια στις αντίστοιχες εσοχές.

Έλεγχος του σωλήνα τροφοδοσίας του νερού

Ελέγχετε το σωλήνα τροφοδοσίας τουλάχιστον μια φορά ετησίως. Αν παρουσιάζει σκασίματα και σχισμές αντικαθίσταται: κατά τα πλυσίματα οι ισχυρές πιέσεις θα μπορούσαν να προκαλέσουν αναπάντεχα σπασίματα.

! Μη χρησιμοποιείτε ποτέ χρησιμοποιημένους σωλήνες.

Μπορεί να συμβεί το πλυντήριο να μη λειτουργεί. Πριν τηλεφωνήσετε στην Υποστήριξη (βλέπε “Υποστήριξη”), ελέγξτε αν δεν πρόκειται για πρόβλημα που επιλύεται εύκολα με τη βοήθεια του ακόλουθου καταλόγου.

Ανωμαλίες:

Δυνατά αίτια / Λύση:

Το πλυντήριο δεν ανάβει.

- Το βύσμα δεν έχει εισαχθεί στην ηλεκτρική πρίζα ή τουλάχιστον όχι αρκετά για να κάνει επαφή.
- Στο σπίτι δεν υπάρχει ρεύμα.

Ο κύκλος πλυσίματος δεν ξεκινάει.

- Η πόρτα δεν κλείνει καλά.
- Το κουμπί ANAMMA/ΣΒΗΣΙΜΟ δεν πατήθηκε.
- Το κουμπί ΕΚΚΙΝΗΣΗ/ΠΑΥΣΗ δεν πατήθηκε.
- Η βρύση του νερού δεν είναι ανοιχτή.
- Τέθηκε μια καθυστέρηση στον χρόνο εκκίνησης (βλέπε «Εξατομικεύσεις»).

Το πλυντήριο δεν φορτώνει νερό (αναβοσβήνει γρήγορα το ενδεικτικό φωτάκι της πρώτης φάσης πλύσης).

- Ο σωλήνας τροφοδοσίας του νερού δεν είναι συνδεδεμένος στον κρουνό.
- Ο σωλήνας είναι διπλωμένος.
- Η βρύση του νερού δεν είναι ανοιχτή.
- Στο σπίτι λείπει το νερό.
- Δεν υπάρχει αρκετή πίεση.
- Το κουμπί ΕΚΚΙΝΗΣΗ/ΠΑΥΣΗ δεν πατήθηκε.

Το πλυντήριο φορτώνει και αδειάζει νερό συνεχώς.

- Ο σωλήνας αδειάσματος δεν έχει εγκατασταθεί μεταξύ 65 και 100 cm από το έδαφος (βλέπε «Εγκατάσταση»).
- Το άκρο του σωλήνα αδειάσματος είναι βυθισμένο στο νερό (βλέπε “Εγκατάσταση”).
- Το επιτοίχιο άδειασμα δεν έχει απαέρωση.

Αν μετά από αυτούς τους ελέγχους το πρόβλημα δεν λύνεται, κλείστε τη βρύση του νερού, σβήστε το πλυντήριο και καλέστε την υποστήριξη. Αν η κατοικία βρίσκεται στους τελευταίους ορόφους ενός κτιρίου, μπορεί να διαπιστωθούν φαινόμενα σιφωνισμού, οπότε το πλυντήριο φορτώνει και αδειάζει νερό συνεχώς. Για την αντιμετώπιση του προβλήματος διατίθενται στο εμπόριο κατάλληλες βαλβίδες αντι-σιφωνισμού.

Το πλυντήριο δεν φορτώνει ή δεν στύβει.

- Το πρόγραμμα δεν προβλέπει το άδειασμα: με ορισμένα προγράμματα πρέπει να το εκκινήσετε χειρονακτικά.
- Είναι ενεργή η λειτουργία ΕΥΚΟΛΟ ΣΙΔΕΡΩΜΑ: για την ολοκλήρωση του προγράμματος πιέστε το κουμπί ΕΚΚΙΝΗΣΗ/ΠΑΥΣΗ («Εξατομικεύσεις»).
- Ο σωλήνας αδειάσματος είναι διπλωμένος (βλέπε «Εγκατάσταση»).
- Ο αγωγός εκκένωσης είναι βουλωμένος.

Το πλυντήριο δονείται πολύ κατά το στύψιμο.

- Ο κάδος, τη στιγμή της εγκατάστασης, δεν ξεμπλόκαρε σωστά (βλέπε “Εγκατάσταση”).
- Το πλυντήριο δεν είναι οριζοντιωμένο (βλέπε “Εγκατάσταση”).
- Το πλυντήριο είναι πολύ στενά μεταξύ τοίχου και επίπλων (βλέπε “Εγκατάσταση”).

Το πλυντήριο χάνει νερό.

- Ο σωλήνας τροφοδοσίας του νερού δεν είναι καλά βιδωμένος (βλέπε “Εγκατάσταση”).
- Η θήκη των απορρυπαντικών είναι βουλωμένη (για να την καθαρίσετε βλέπε “Συντήρηση και φροντίδα”).
- Ο σωλήνας αδειάσματος δεν έχει στερεωθεί καλά (βλέπε «Εγκατάσταση»).

Το ενδεικτικό φωτάκι ΕΚΚΙΝΗΣΗ/ΠΑΥΣΗ (πορτοκαλί) και τα ενδεικτικά φωτάκια αναβοσβήνουν γρήγορα.

- Σβήστε τη μηχανή και βγάλτε το βύσμα από την πρίζα, περιμένετε περίπου 1 λεπτό μετά ξαναάψτε τη. Αν η ανωμαλία επιμένει, καλέστε την Υποστήριξη.

Σχηματίζεται πολύς αφρός.

- Το απορρυπαντικό δεν είναι ειδικό για πλυντήριο (πρέπει να υπάρχει η ένδειξη “για πλυντήριο”, “για πλύσιμο στο χέρι και στο πλυντήριο”, ή παρόμοια).
- Η δοσολογία υπήρξε υπερβολική.

Υποστήριξη

GR

Πριν επικοινωνήσετε με την Υποστήριξη:

- Ελέγξτε αν η ανωμαλία μπορείτε να την αντιμετωπίσετε μόνοι σας (βλέπε “Ανωμαλίες και λύσεις”);
- Επανεκκινήστε το πρόγραμμα για να ελέγξετε αν το πρόβλημα αντιμετωπίστηκε;
- Σε αρνητική περίπτωση, επικοινωνήστε με την εξουσιοδοτημένη Τεχνική Υποστήριξη στον τηλεφωνικό αριθμό που υπάρχει στο πιστοποιητικό εγγύησης.

! Μην καταφεύγετε ποτέ σε μη εξουσιοδοτημένους τεχνικούς.

Γνωστοποιήστε:

- το είδος της ανωμαλίας;
- το μοντέλο του μηχανήματος (Mod.);
- τον αριθμό σειράς (S/N).

Οι πληροφορίες αυτές βρίσκονται στην ταμπελίτσα που υπάρχει στο πίσω μέρος του πλυντηρίου και στο πρόσθιο μέρος ανοίγοντας την πόρτα.

HU

Magyar

ARL 105

HU

Összefoglalás

Üzembe helyezés, 50–51

Kicsomagolás és vízszintbe állítás
Víz- és elektromos csatlakozás
Első mosási ciklus
Műszaki adatok

A mosógép leírása és program elindítása, 52–53

Kezelőpanel
Jelzőlámpák
Program elindítása

Programok, 54

Programtáblázat

Egyéni beállítások, 55

A hőmérséklet beállítása
A centrifugálás beállítása
Funkciók

Mosószerek és mosandók, 56

Mosószер-adagoló fiók
Fehérítő ciklus
A mosandó ruhák előkészítése
Különleges bánásmódot igénylő ruhadarabok
A bepakolt ruhák kiegyensúlyozására szolgáló rendszer

Óvintézkedések és tanácsok, 57

Általános biztonság
Hulladékelhelyezés
Az ajtó kézi nyitása

Karbantartás és ápolás, 58

A víz elzárása és az elektromos áram kikapcsolása
A mosógép tisztítása
A mosószер-adagoló fiók tisztítása
Az ajtó és a forgódob ápolása
A szivattyú tisztítása
A vízbevezető cső ellenőrzése

Rendellenességek és elhárításuk, 59

Szerviz, 60

 **Hotpoint**
ARISTON

Üzembe helyezés

HU

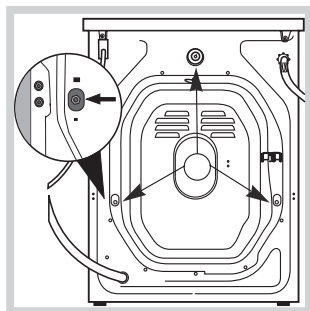
! Fontos, hogy megőrizze ezt a kézikönyvet, hogy mindig kéznél legyen. Ha a mosógépet eladná, átadná vagy másnál helyezné el, gondoskodjon arról, hogy e kézikönyv a mosógéppel együtt maradjon, hogy az új tulajdonos is megismerhesse a készülék funkcióit és az ezekre vonatkozó figyelmeztetéseket.

! Figyelmesen olvassa el az utasításokat: fontos információkat tartalmaznak az üzembe helyezésről, a használatról és a biztonságról.

Kicsomagolás és vízszintbe állítás

Kicsomagolás

1. Csomagolja ki a mosógépet.
2. Ellenőrizze, hogy a mosógép nem sérült-e meg a szállítás során. Ha a gépen sérülést talál, ne csatlakoztassa, és forduljon a viszonteladóhoz.



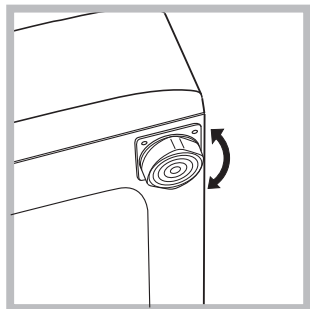
3. Csavarozza ki a gép hátsó részén található, a szállításhoz szükséges 3 védőcsavart, és távolítsa el a gumibakot (lásd ábra).

4. Zárja le a furatokat a mellékelt műanyag dugókkal.
5. Minden darabot őrizzen meg: ha a mosógépet szállítani kell, előtte ezeket vissza kell szerelni.

! A csomagolóanyag nem gyermekjáték!

Vízszintbe állítás

1. A mosógépet sík és kemény padlóra állítsa, úgy, hogy ne érjen falhoz, bútorhoz vagy másához.

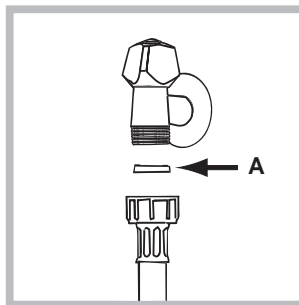


2. Ha a padló nem tökéletesen vízszintes, azt az első lábak be-, illetve kicsavarásával kompenzálhatja (lásd ábra). A gép felső burkolatán mért dőlés nem haladhatja meg a 2°-ot.

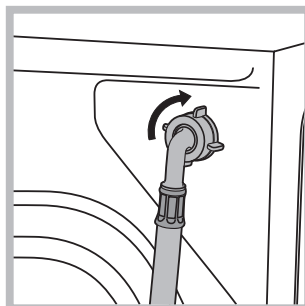
A pontos vízszintezés biztosítja a gép stabilitását, így az a működés során nem fog rezegni, zajt okozni, illetve elmozdulni. Szőnyegpadló vagy szőnyeg esetén a lábakat úgy állítsa be, hogy a mosógép alatt elegendő hely maradjon a szellőzésre.

Víz- és elektromos csatlakozás

Vízbevezető cső csatlakoztatása



1. Az A tömítést illessze a vízbevezető cső végére, és csavarozza fel a 3/4 hüvelykes külső menettel rendelkező hidegvíz-csapra (lásd ábra). A csatlakoztatás előtt eresse meg a csapot addig, amíg a víz teljesen átlátszóvá nem válik.



2. A vízbevezető cső csatlakoztatásához csavarozza a csövet a mosógép hátoldalán jobbra fent található vízbemeneti csonkra (lásd ábra)!

3. Ügyeljen arra, hogy a csövön ne legyen törés vagy szűkület!

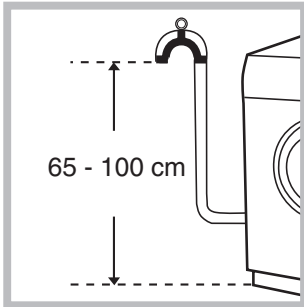
! A csap víznyomásának a műszaki adatok táblázatában szereplő határértékek között kell lennie (lásd a szemben lévő oldalt).

! Amennyiben a vízbevezető cső nem elég hosszú, forduljon szaküzlethez vagy engedéllyel rendelkező szakemberhez.

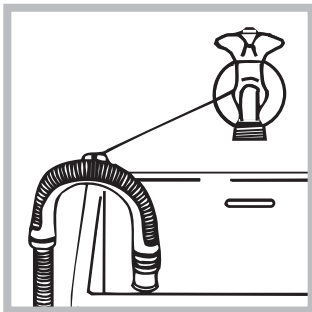
! Soha ne használjon korábban már használt csöveket.

! Használja a készülékhez mellékelteket.

A leeresztőcső csatlakoztatása



Csatlakoztassa a leeresztőcsövet a lefolyóhoz vagy a padlótól 65 és 100 cm közötti magasságban lévő fali szifonhoz anélkül, hogy megtörné;



illetve akassza a mosdó vagy a kád szélére úgy, hogy a mellékelt csővezető ívet a csaphoz erősíti (lásd ábra). A leeresztőcső szabad végének nem szabad vízbe merülnie.

! Toldások használata nem javasolt. Amennyiben feltétlenül szükséges, a toldás átmérője egyezzen meg az eredeti csőével és semmiképpen se legyen 150 cm-nél hosszabb.

Elektromos csatlakoztatás

Mielőtt a csatlakozódugót az aljzatba dugná, bizonyosodjon meg arról, hogy:

- az aljzat földelése megfelel a törvény által előírtak;
- az aljzat képes elviselni a készülék műszaki adatait tartalmazó táblázatban megadott maximális teljesítményfelvételt (lásd szemben);
- a hálózat feszültsége a műszaki adatokat tartalmazó táblázatban szereplő értékek közé esik (lásd szemben);
- az aljzat kompatibilis a mosógép csatlakozódugójával. Ellenkező esetben cserélje ki az aljzatot vagy a csatlakozódugót!

! A mosógép nem állítható fel nyílt téren, még akkor sem, ha tető van fölötte, mivel nagyon veszélyes, ha a gép esőnek vagy zivataroknak van kitéve.

! A csatlakozódugónak a mosógép üzembe helyezett állapotában is könnyen elérhető helyen kell lennie.

! Ne használjon hosszabbítót vagy elosztót.

! A kábel ne legyen se megtörve, se összenyomva.

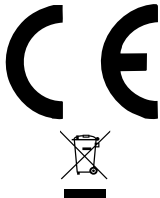
! A tápkábelt csak engedéllyel rendelkező szakember cserélheti.

Figyelem! A fenti előírások figyelmen kívül hagyása esetén a gyártó elhárít minden felelősséget.

Első mosási ciklus

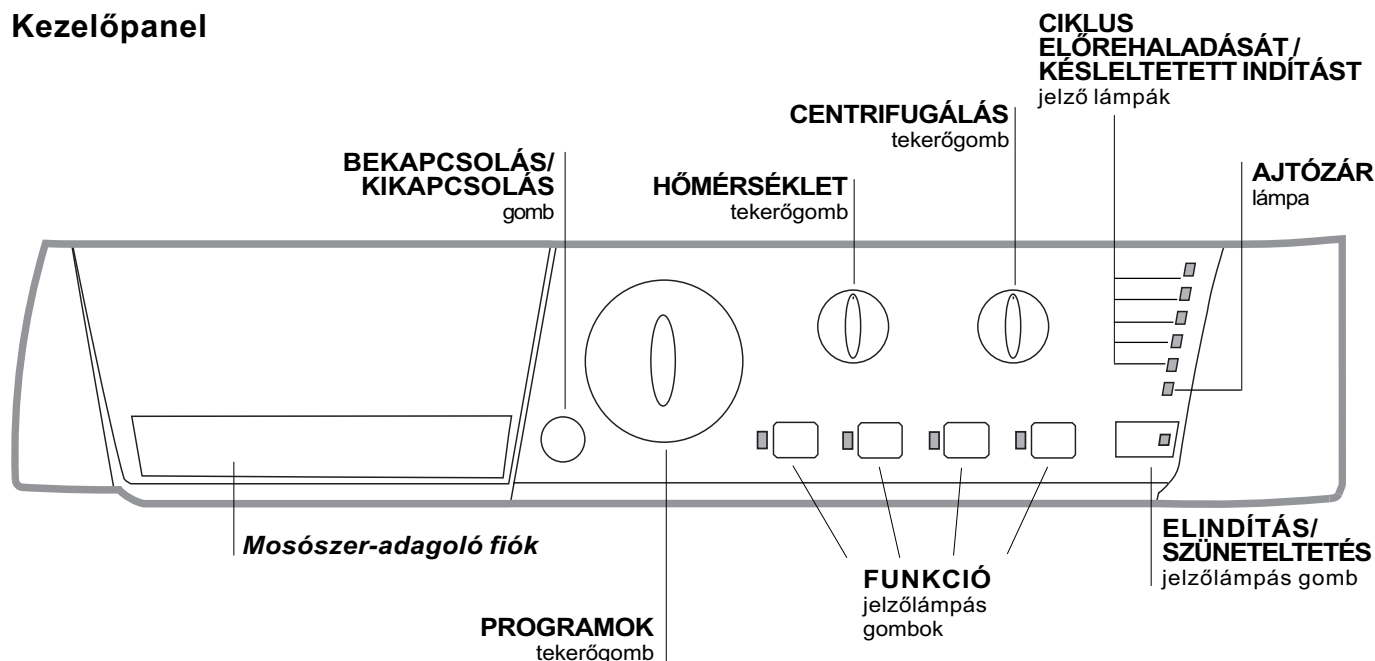
Üzembe helyezés után – mielőtt a mosógépet használni kezdené – mosószerrel, mosandó ruha nélkül futtassa le az 2-es mosási programot.

Műszaki adatok

Modell	ARL 105
Méret	szélesség 59,5 cm magasság 85 cm mélység 52,5 cm
Ruhatöltet:	1-től 5 kg-ig
Elektromos csatlakozás	lásd a készüléken található, műszaki jellemzőket tartalmazó adattáblát!
Vízcsatlakozások	maximális nyomás 1 MPa (10 bar) minimális nyomás 0,05 MPa (0,5 bar) dob úrtartalma 46 liter
Centrifuga fordulatszám	1000 fordulat/perc-ig
EN 60456 szabvány Szerinti vezérlőprogramok	7-as program; hőmérséklet 60°C; 5 kg ruhatöltettel végezve.
	Ez a berendezés megfelel a következő Uniói Előírásoknak: - 89/05/03-i 89/336/CEE előírás (Elektromágneses összeférhetőség) és annak módosításai - 2002/96/CE - 2006/95/CE (Alacsony feszültség)

A mosógép leírása és program elindítása

Kezelőpanel



Mosószer-adagoló fiók: a mosószerek és adalékanyagok betöltésére szolgál (lásd „Mosószerek és mosandók”). A mosószer-adagoló fiókban található egy papírtartó, melynek segítségével bármikor áttekintheti a programok összefoglaló diagramját.

BEKAPCSOLÁS/KIKAPCSOLÁS gomb: a mosógép be-, illetve kikapcsolására szolgál.

PROGRAMOK tekerőgomb: a programok beállítására szolgál. A program lefutása alatt a tárcsa nem mozdul.

FUNKCIÓ jelzőlámpás gombok: a lehetséges funkciók kiválasztására szolgál. A kiválasztott funkció jelzőlámpája égve marad.

CENTRIFUGÁLÁS tekerőgomb: a centrifugálás bekapcsolására, illetve kikapcsolására szolgál (lásd „Egyéni beállítások”).

HŐMÉRSÉKLET tekerőgomb: a hőmérséklet, illetve a hideg vizes mosás beállítására szolgál (lásd „Egyéni beállítások”).

CIKLUS ELŐREHALADÁSÁT / KÉSLELTETETT INDÍTÁST jelző lámpák: a mosási program előrehaladásának követésére szolgál. Az égő lámpa az éppen folyamatban lévő fázist jelzi. Ha a késleltetésidőzítés funkció be lett állítva, a jelzőlámpák a program indításáig hátra lévő időt jelzik (lásd a szemben lévő oldalt).

AJTÓZÁR lámpa: az ajtó kinyithatóságának jelzésére szolgál (lásd a szemben lévő oldalt).

ELINDÍTÁS/SZÜNETELTETÉS jelzőlámpás gomb: a programok elindítására, illetve pillanatnyi megszakítására szolgál.

Megjegyzés: A folyamatban lévő mosás szüneteltetéséhez nyomja meg ezt a gombot – a vonatkozó jelzőlámpa narancssárga fénnel fog villogni, míg a folyamatban lévő fázist jelző lámpa folyamatos fénnel világítani fog. Ha az AJTÓZÁR lámpa \Rightarrow nem világít, kinyithatja az ajtót. A mosásnak a megszakítás időpontjától való folytatásához nyomja meg ismét ezt a gombot.

Jelzőlámpák

A jelzőlámpák fontos információkat közvetítenek. Ezek a következők:

Késleltetett indítás

Bekapcsolt a késleltetett indítás funkció (lásd „Egyéni beállítások”) – a program elindítása után a kiválasztott késleltetés lámpája villogni kezd:



Az idő múlásával a késleltetésből még hátralévő időt a megfelelő jelzőlámpa villogása jelzi.



A kiválasztott késleltetés leteltével a villogó jelzőlámpa kialszik, és a beállított program elindul.

Program elindítása

1. A BEKAPCSOLÁS/KIKAPCSOLÁS gomb megnyomásával kapcsolja be a mosógépet. Néhány másodpercre az összes jelzőlámpa bekapcsol, majd kialszik, és az ELINDÍTÁS/SZÜNETELTETÉS lámpa villogni kezd.
2. Helyezze be a mosandó ruhákat, és csukja be az ajtót.
3. A PROGRAMOK tekerőgombbal állítsa be a kívánt programot.
4. Állítsa be a mosási hőmérsékletet (lásd „Egyéni beállítások”).
5. Állítsa be a centrifugálás sebességét (lásd „Egyéni beállítások”).
6. Töltse be a mosószert és adalékanyagokat (lásd „Mosószerek és mosandók”).
7. Válassza ki a kívánt funkciókat.
8. Az ELINDÍTÁS/SZÜNETELTETÉS gomb megnyomásával indítsa el a programot, mire a megfelelő jelzőlámpa zöld fényel világítani kezd. A beállított mosási ciklus törléséhez az ELINDÍTÁS/SZÜNETELTETÉS gomb megnyomásával szüneteltesse le a készüléket, és válasszon egy új mosási ciklust.
9. A program végeztével kigyullad a END jelzőlámpa. Az AJTÓZÁR lámpa kialszik, jelezve, hogy az ajtót ki lehet nyitni. Vegye ki a mosandó ruhákat, és hagyja az ajtót félig nyitva, hogy a forgódob kiszáradjon. A BEKAPCSOLÁS/KIKAPCSOLÁS gomb megnyomásával kapcsolja ki a mosógépet.

Folyamatban lévő fázis jelzőlámpái

A kívánt mosási ciklus kiválasztása és elindítása után a jelzőlámpák a program előrehaladásának megfelelően, egymás után kigyulladnak.



Funkciógombok és az azokhoz tartozó lámpák

A Kívánt funkció kiválasztásakor a megfelelő jelzőlámpa kigyullad.

Ha a kiválasztott funkció a beállított programmal nem fér össze, a megfelelő jelzőlámpa villogni kezd, és a funkció nem lesz bekapcsolva.

Abban az esetben, ha egy másik, korábban kiválasztottal össze nem férő funkciót kapcsol be, csak az utolsóként választott marad bekapcsolva.

⚠ Ajtózár lámpa

A világító jelzőlámpa azt jelzi, hogy az ajtó a véletlen kinyitás megakadályozása érdekében be van zárva. A károsodások elkerülése érdekében az ajtó kinyitása előtt meg kell várni, hogy a jelzőlámpa kialudjon.

Megjegyzés: Amennyiben a késleltetésidőzítés funkció be van kapcsolva, az ajtót nem lehet kinyitni. Az ajtó kinyitásához az ELINDÍTÁS/SZÜNETELTETÉS gomb megnyomásával szüneteltesse le a készüléket.

! Az ELINDÍTÁS/SZÜNETELTETÉS lámpa (narancssárga) funkciólámpákkal egyidejű gyors villogása hibát jelez (lásd „Rendellenességek és elhárításuk”).

Programok

Programtáblázat

Programok	Programleírás	Max. hőm. (°C)	Max. sebesség (ford./perc)	Mosószerek			Max. ruhamennyiség (kg)	Programidő
				Fehéritőszert	Mosás	Öblítő		
Speciális programok								
7	HIGIENIZÁLÓ CIKLUS: Erősen szennyezett fehér ruhák.	90°	1000	•	•	•	5	165
7	HIGIENIZÁLÓ CIKLUS (1): Erősen szennyezett fehér és magasabb hőmérsékleten mosható színes ruhák.	60°	1000	-	•	•	5	133
8	JÓ ÉJT: Enyhén szennyezett kényes, színes ruhák.	40°	800	-	•	•	3	288
9	BABA: Erősen szennyezett kényes, színes ruhák.	40°	800	-	•	•	2	118
10	ING	40°	600	-	•	•	2	69
11	SELYEM/FÜGGÖNY: Selyem ruhaneműkhöz, viszkózus anyagokhoz, fehérneműkhöz.	30°	0	-	•	•	1	55
12	GYAPJÚ: Gyapjú, kasmír stb. ruhaneműk mosásához.	40°	600	-	•	•	1	55
Hétköznapi programok								
1	PAMUT ELŐMOSÁS 90°C: Erősen szennyezett fehér ruhák.	90°	1000	-	•	•	5	155
2	PAMUT: Erősen szennyezett fehér és magasabb hőmérsékleten mosható színes ruhák.	60°	1000	•	•	•	5	119
2	PAMUT (2): Erősen szennyezett kényes fehér és színes ruhák.	40°	1000	•	•	•	5	115
3	SZÍNES PAMUT (3): Enyhén szennyezett fehér és kényes színes ruhák.	40°	1000	•	•	•	5	85
4	SZINTETIKUS: Erősen szennyezett, magasabb hőmérsékleten mosható színes ruhák.	60°	800	-	•	•	2,5	85
4	SZINTETIKUS/KÉNYES: Enyhén szennyezett, magasabb hőmérsékleten mosható színes ruhák.	40°	800	-	•	•	2,5	70
5	30' VEGYES: Az enyhén szennyezett ruhadarabok gyors átöblítésére (nem javasolt gyapjú, selyem és kézzel mosandó ruhaneműkhöz).	30°	800	-	•	•	3	30
6	15' FRISSÍTŐ MOSÁS: Az enyhén szennyezett ruhadarabok gyors átöblítésére (nem javasolt gyapjú, selyem és kézzel mosandó ruhaneműkhöz).	30°	800	-	•	•	1,5	15
Részleges programok								
A	ÖBLÍTÉS	-	1000	-	-	•	5	36
B	CENTRIFUGÁLÁS	-	1000	-	-	-	5	16
C	KÉNYES CENTRIFUGÁLÁS	-	800	-	-	-	2,5	12
D	SZIVATTYÚZÁS	-	0	-	-	-	5	2

A táblázatban szereplő értékek tájékoztató jellegűek.

A vizsgálószervek számára:

- 1) EN 60456 szabvány szerinti vezérlőprogramok: állítsa be a 7-os programot 60 °C-ra.
- 2) Hosszú pamut program: állítsa be a 2-es programot 40 °C-ra.
- 3) Rövid pamut program: állítsa be a 3-es programot 40 °C-ra.

Különleges programok

HIGIENIZÁLÓ CIKLUS (7-os program). Ez egy olyan magas hőmérsékleten futó fertőtlenítő program, melynél fehéritőszert kell használni, és a hőmérsékletet 60 °C-nál magasabbra kell állítani. A fehéritéshez öntse be a fehéritőszert, a mosószert és az adalékanyagokat a megfelelő rekeszekbe (lásd „Mosószert-adagoló fiók”).

JÓ ÉJT (8-es program). Ez egy olyan halk program, mellyel éjszaka lehet mosni, amikor az energiaárak alacsonyabbak. A program műszálas és pamut ruhadarabokhoz lett kifejlesztve. A ciklus végeztével a készülék, vízzel a forgódobban megáll, majd – a centrifugálás és ürités elvégzéséhez nyomja meg az ELINDÍTÁS/SZÜNETELTETÉS gombot, ellenkező esetben – 8 óra elteltével a készülék automatikusan elvégzi a centrifugálást és a víz üritését.

BABA PROGRAM (9-as program). Ez egy olyan program, mely képes eltávolítani a gyermekeknél előforduló tipikus foltokat, és egyúttal biztosítja a mosószert eltávolítását a ruhák gyűrődéseiből, megakadályozva, hogy a gyermekek érzékeny bőrén allergiát okozzanak. A ciklus a baktériumok számának nagyobb vízmennyiség használatával és a különleges, mosószert adott fertőtlenítő adalékanyagok optimalizálásával való lecsökkentésére lett kifejlesztve. A mosás végeztével a készülék a gyűrődések keletkezésének megakadályozása érdekében lassan forgatja a forgódobot. A ciklus leállításához nyomja meg az ELINDÍTÁS/SZÜNETELTETÉS gombot.

30' VEGYES (5-es program). Ez a program enyhén koszos ruhadarabok rövid idő alatt történő kimosására lett kifejlesztve – mindössze 30 percig tart, így energiát és időt takarít meg. A 5-es programot 30 °C-ra beállítva különböző jellegű anyagokat együttesen is lehet mosni (kivéve gyapjút és selymet) maximum 3 kg ruhatöltet-mennyiségig.

15' FRISSÍTŐ MOSÁS (6-ös program). Ez a program enyhén koszos ruhadarabok rövid idő alatt történő kimosására lett kifejlesztve – mindössze 15 percig tart, így energiát és időt takarít meg. Az 6-ös programot 30 °C-ra beállítva különböző jellegű anyagokat együttesen is lehet mosni (kivéve gyapjút és selymet) maximum 1,5 kg ruhatöltet-mennyiségig.

A hőmérséklet beállítása

A mosási hőmérséklet beállításához forgassa el a HŐMÉRSÉKLET tekerőgombot (lásd *Programtáblázat*). A hőmérsékletet a hideg vízzel történő mosás hőmérséklet-értékéig lehet csökkenteni (☞). A készülék automatikusan megakadályozza, hogy az egyes programokhoz maximálisan beállíthatónál magasabb fordulatszámra centrifugáljon.

A centrifugálás beállítása

A kiválasztott programhoz tartozó centrifugálás fordulatszámának beállításához forgassa el a CENTRIFUGÁLÁS tekerőgombot.

A különféle programokhoz beállítható maximális fordulatszámok a következők:

Programok	Maximális fordulatszám
Pamut	1000 fordulat/perc
Műszál	800 fordulat/perc
Gyapjú	600 fordulat/perc
Selyem	Csak ürítés

A centrifugálás fordulatszáma csökkenthető, vagy a ☞ jelre állítással teljesen kikapcsolható.

A készülék automatikusan megakadályozza, hogy az egyes programokhoz maximálisan megengedett fordulatszámra magasabban centrifugáljon.

Funkciók

A mosógép különféle mosási funkciói lehetővé teszik a kívánt tisztítás és fehérség elérését.

A funkciók bekapcsolásához tegye a következőket:

1. Nyomja meg a kívánt funkció gombját.
2. A megfelelő jelzőlámpa világítása azt jelzi, hogy a hozzá tartozó funkció be van kapcsolva.

Megjegyzés: A jelzőlámpa gyors villogása azt jelenti, hogy a beállított programhoz a jelzőlámpához tartozó funkció nem választható.

Késleltetett indítás

A mosógép indítását maximum 12 órával késlelteti.

A késleltetés beállításához nyomogassa a gombot addig, míg a késleltetés kívánt értékét jelölő jelzőlámpa ki nem gyullad. A gomb ötödik megnyomására a funkció kikapcsol.

Megjegyzés: Az ELINDÍTÁS/SZÜNETELTETÉS gomb megnyomását követően a késleltetés értékét csak csökkenteni lehet.

! Ez valamennyi program esetén bekapcsolható.

Vasaláskönyvítés

Ez a funkció a gyűrődések keletkezésének csökkentése érdekében a megfelelő időben módosítja a mosási beállításokat és a centrifugasebességet. A ciklus végeztével a mosógép lassan forgatja a forgódobot – a VASALÁSKÖNYVÍTÉS funkció lámpája, valamint az ELINDÍTÁS/SZÜNETELTETÉS lámpa narancssárga fénnel villog, az END fázis jelzőlámpája pedig állandó fénnel világít. A ciklus befejezéséhez nyomja meg az ELINDÍTÁS/SZÜNETELTETÉS gombot vagy a VASALÁSKÖNYVÍTÉS gombot.

A **Selyem** program esetén a ciklus a mosandó ruhák öblítésével végződik, a VASALÁSKÖNYVÍTÉS funkció lámpája, valamint az ELINDÍTÁS/SZÜNETELTETÉS lámpa narancssárga fénnel villog, az ÖBLÍTÉS fázis jelzőlámpája pedig állandó fénnel világít. Az öblítővíz leeresztéséhez és a mosott ruhaneműk kiszedéséhez meg kell nyomni az ELINDÍTÁS/SZÜNETELTETÉS gombot, vagy a VASALÁSKÖNYVÍTÉS gombot.

! Nem kapcsolható be a 5-es, 6-ös, 7-os, 8-es, 9-as, 12-es, B, C, D programoknál.

Extra öblítés

E funkció alkalmazásával nő az öblítés, valamint a végső mosószer-eltávolítás hatékonysága. Használata a különösen érzékeny bőrű embereknél ajánlott.

! Nem kapcsolható be a 5-es, 6-ös, B, C, D programoknál.

Szupermosás

A ciklus kezdetén felhasznált nagy mennyiségű víznek, valamint a hosszabb mosásidőnek köszönhetően a szupermosás funkció nagy mosóhatást biztosít.

! Nem kapcsolható be a 5-es, 6-ös, 7-os, 11-es, 12-es, A, B, C, D programoknál.

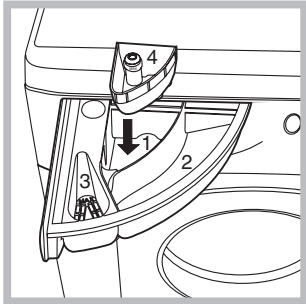
Mosószerek és mosandók

HU

Mosószertartó fiók

A mosás eredményessége függ a mosószertartó fiók helyes betöltésétől is: ha túl sokat adagol belőle, a mosás nem lesz hatékonyabb, de hozzájárul ahhoz, hogy lerakódás képződjön a mosógépben, valamint a környezetet is jobban szennyezi.

! Ne használjon kézi mosószert, mert túlzottan sok hab képződik.



Húzza ki a mosószertartó fiókot, és a következők szerint tegye bele a mosószert, illetve az adalékot.

1-es rekesz: Mosószertartó fiók (por)

A mosószertartó fiók betöltése előtt győződjön meg arról, hogy a 4-es berakható rekesz ebben a rekeszben.

2-es rekesz: Mosószertartó fiók (por vagy folyadék)

A folyékony mosószert csak az indítás előtt lehet betölteni.

3-as rekesz: Adalékok (öblítők stb.)

Az öblítő ne érjen a rács fölé.

4-es berakható rekesz: Fehérítőszer

Fehérítő ciklus

Fehérítőt csak az **2-es**, **3-es**, és **7-os** programoknál lehet használni.

Öntse a fehérítőt a **4-es** berakható rekeszbe, a mosószert és az öblítőt pedig a megfelelő tartályokba, majd állítsa be az egyik fent említett programot. Csak nagyon szennyezett pamut ruhadarabokhoz javasolt.

A mosandó ruhák előkészítése

- Osztályozza a mosandókat a következők szerint:
 - Szövet típusa / címkén lévő szimbólum.
 - Színek Válogassa külön a színes és fehér ruhákat.
- Ürítse ki a zsebeket, és vizsgálja meg a gombokat.
- Ne lépje túl a mosandók száraz súlyára vonatkozóan megadott értékeket:

Magasabb hőmérsékleten mosható anyagok: max. 5 kg

Műszál anyagok: max. 2,5 kg

Kényes anyagok: max. 2 kg

Gyapjú: max. 1 kg

Milyen nehezek a mosandó ruhák?

1 lepedő: 400–500 g

1 párnahuzat: 150–200 g

1 asztalterítő: 400–500 g

1 fürdőköpeny: 900–1200 g

1 törölköző: 150–250 g


Különleges bánásmódot igénylő ruhadarabok

Ing: a különböző szövetű és színű ingek mosásához használja az ehhez való, **10-es** programot!

A gyűrődések kialakulásának minimalizálásával a program maximális védelmet biztosít a ruháknak.

Selyem: az összes selyem ruhadarab mosásához használja az ehhez való, **11-es** programot! A kényesebb ruhaneműkhöz tanácsos speciálisan rájuk kifejlesztett mosószert használni.

Függönyök: hajtogatva tegye párnahuzatba (vászonzsákba) vagy hálós zacskóba. Használja a **11-es** programot.

Gyapjú: Az Hotpoint/Ariston az egyedüli mosógép, mely a Woolmark Companytól megkapta a rangos Woolmark Platinum Care ismertetőjelet (M.0508), ami tanúsítja, hogy az összes gyapjú ruhadarab mosható a mosógépben, még azok is, melyek címkéjén a „kézzel mosandó” megjelölés  szerepel. A **12-es** programmal teljes nyugalommal moshatja mosógépben az összes gyapjú ruhadarabot (max. 1 kg), garantáltan a legjobb hatásfokon.

A bepakolt ruhák kiegyensúlyozására szolgáló rendszer

A túlzott zajhatás megelőzésére, valamint a mosandók egyenletes eloszlása érdekében a forgódob a centrifugafázis előtt a mosási centrifugasebességnél kicsit nagyobb sebességre kapcsol. Amennyiben a töltet kiegyensúlyozására irányuló próbálkozások nem vezetnek eredményre, a készülék az elméleti centrifugasebességnél lassabb centrifugálásra kapcsol. Jelentős kiegyensúlyozatlanság esetén a mosógép, centrifugálás előtt megpróbálja a töltetet megfelelően elosztatni. A töltet megfelelő eloszlásának biztosítása érdekében ajánlatos a nagy ruhaneműket a kicsikkel összekeverni.

! A mosógép a nemzetközi biztonsági szabványoknak megfelelően lett tervezve és gyártva. Ezeket a figyelmeztetéseket biztonsági okokból írjuk le, kérjük, olvassa el őket figyelmesen!

Általános biztonság

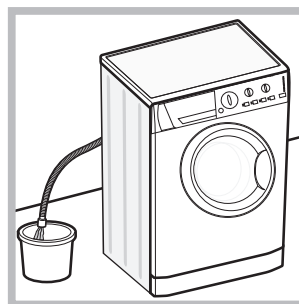
- Ez a készüléket háztartási használatra lett tervezve.
- A mosógépet csak felnőtt használhatja, és csak az e használati utasításban megadott utasítások szerint.
- Ne érjen a géphez mezítláb, illetve vizes vagy nedves kézzel vagy lábbal!
- A csatlakozódugót az aljzatból ne a kábelnél, hanem a csatlakozónál fogva húzza ki!
- Működés közben ne nyissa ki a mosószer-adagoló fiókot.
- Ne nyúljon a leeresztett vízbe, mert forró lehet!
- Semmiképpen ne feszegesse az ajtót: megsérülhet a véletlen nyitást megakadályozó biztonsági retesz.
- Hiba esetén semmiképpen se nyúljon a gép belső részeihez, és ne próbálja megjavítani!
- Mindig ügyeljen arra, hogy gyermekek ne mehessenek a működő gép közelébe.
- A mosás során az ajtó meleg lehet.
- Amennyiben a gépet át kell helyezni, az áthelyezést két vagy három személy végezze, maximális odafigyeléssel. Soha ne próbálja egyedül elmozdítani, mert a készülék nagyon nehéz.
- A mosandó berakása előtt ellenőrizze, hogy a forgódob üres-e.

Hulladékelhelyezés

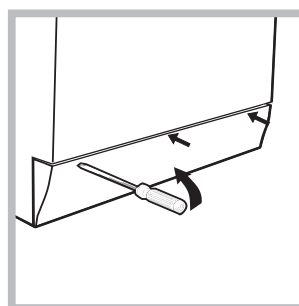
- A csomagolóanyag megsemmisítése: tartsa be a helyi előírásokat, így a csomagolás újrahasznosítható.
- Az elektromos készülékek megsemmisítéséről szóló európai direktíva 2002/96/EC előírja, hogy a régi háztartási gépeket nem szabad a normál nem szelektív hulladékgyűjtési folyamat során összegyűjteni. A régi gépeket szelektíven kell összegyűjteni, hogy optimalizálni lehessen a bennük lévő anyagok újrahasznosítását és csökkenteni lehessen az emberi egészségre és környezetre gyakorolt hatásukat. Az áthúzott "szemeteskuka" jele emlékezteti Önt arra, hogy kötelessége ezeket a termékeket szelektíven összegyűjteni.
A fogyasztóknak a helyi hatóságot vagy kereskedőt kell felkeresniük a régi háztartási gépek helyes elhelyezését illetően.

Az ajtó kézi nyitása

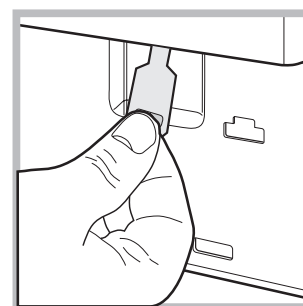
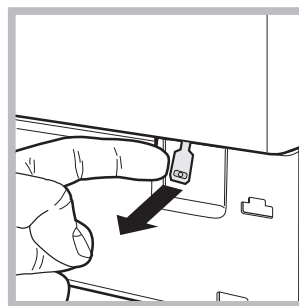
Amennyiben ki akarja teregetni a mosott ruhaneműt, de áramhiány miatt nem tudja kinyitni a mosógép ajtaját, tegye a következőket:



1. Húzza ki a dugót a konnektorból.
2. Győződjön meg arról, hogy a készülékben maradt víz szintje az ajtószint alatt van – ellenkező esetben eressze le a fölösleges vizet a leeresztőcsövön keresztül egy vödörbe, ahogy azt az ábra is mutatja.



3. Egy csavarhúzó segítségével távolítsa el a burkolópanelt a mosógép elejéről (lásd ábra).



4. Az ábrán látható fülecske kihúzásával szabadítsa ki a műanyag húzókat; húzogassa lefelé, és ezzel egyidejűleg nyissa ki az ajtót.

5. Szerelje vissza a panelt – mielőtt a gép felé nyomná, győződjön meg arról, hogy a horgok a hozzájuk tartozó furatokba illeszkednek.

Karbantartás és ápolás

HU

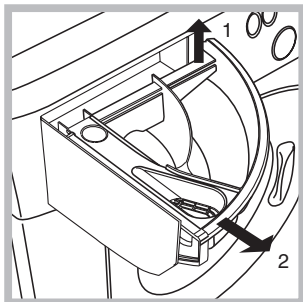
A víz elzárása és az elektromos áram kikapcsolása

- Minden mosás után zárja el a vízcsapot. Így kíméli a mosógép vízrendszerét és megszünteti a vízszivárgás kockázatát.
- A mosógép tisztításakor, illetve karbantartásakor húzza ki a hálózati csatlakozódugót az aljzatból.

A mosógép tisztítása

A külső részeket és a gumirészeket langyos, szappanos vizes ronggyal tisztíthatja. Ne használjon oldószert vagy súrolószert!

A mosószer-adagoló fiók tisztítása



A fiók felemelésével és kifelé húzásával vegye ki a fiókot (lásd ábra). Folyó víz alatt mossa ki! Ezt a tisztítást gyakran el kell végezni.

Az ajtó és a forgódob ápolása

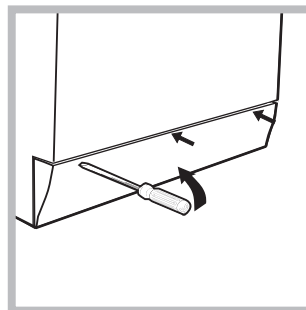
- Az ajtót hagyja mindig résre nyitva, nehogy rossz szagok keletkezzenek.

A szivattyú tisztítása

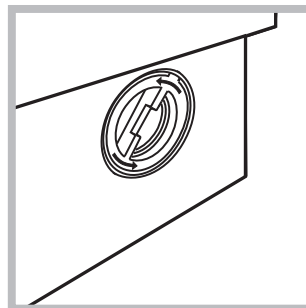
A mosógép öntisztító szivattyúval van felszerelve, melynek nincs szüksége tisztítási és karbantartási műveletekre. Előfordulhat azonban, hogy apró tárgyak (aprópénz, gomb) esnek a szivattyú alsó részén található szivattyúvédő előkamrába.

! Győződjön meg róla, hogy a mosóprogram véget ért, és húzza ki a hálózati csatlakozót.

Az előkamrához való hozzáférés érdekében tegye a következőket:



1. Egy csavarhúzó segítségével távolítsa el a burkolópanelt a készülék elejéről (lásd ábra);



2. Órairánnyal ellentétesen forgatva csavarja le a fedelet (lásd ábra). Természetes, hogy egy kevés víz kifolyik;

3. Gondosan tisztítsa ki az üreg belsejét;
4. Csavarja vissza a fedelet;
5. Szerelje vissza a panelt – mielőtt a gép felé nyomná, győződjön meg arról, hogy a horgok a hozzájuk tartozó furatokba illeszkednek.

A vízbevezető cső ellenőrzése

Évente legalább egyszer ellenőrizze a vízbevezető csövet. Ha repedezett vagy hasadozott, ki kell cserélni – a mosás során a nagy nyomás hirtelen szakadást okozhat.

! Soha ne használjon korábban már használt csöveket.

Előfordulhat, hogy a mosógép nem működik. Mielőtt felhívna a szervizt (lásd „Szerviz”), ellenőrizze, hogy nem olyan problémáról van-e szó, amely a következő lista segítségével egyszerűen megoldható!

Rendellenességek:

Lehetséges okok / megoldás:

A mosógép nem kapcsol be.

- A hálózati csatlakozódugó nincs bedugva az aljzatba, vagy nem eléggé ahhoz, hogy jól érintkezzen.
- Nincs áram a lakásban.

A mosási ciklus nem indul el.

- A mosógép ajtaja nincs jól bezárva.
- Nem nyomta meg a BEKAPCSOLÁS/KIKAPCSOLÁS gombot.
- Nem nyomta meg az ELINDÍTÁS/SZÜNETELTETÉS gombot.
- A vízcsap nincs nyitva.
- Az indítás időjelzőjén késleltetés lett beállítva – késleltetésidőzítítő (lásd „Egyéni beállítások”).

A mosógép nem kap vizet (az első mosási fázis jelzőlámpája gyorsan villog).

- A vízbevezető cső nincs csatlakoztatva a csaphoz.
- A cső meg van törve.
- A vízcsap nincs nyitva.
- A lakásban nincs víz.
- Nincs elegendő nyomás.
- Nem nyomta meg az ELINDÍTÁS/SZÜNETELTETÉS gombot.

A mosógép folytonosan szívja, és üríti a vizet.

- A leeresztőcső nem a padlószinttől 65 és 100 cm közötti magasságban van felszerelve (lásd „Üzembe helyezés”).
 - A leeresztőcső vége vízbe merül (lásd „Üzembe helyezés”).
 - A fali szifonnak nincs szellőzése.
- Ha ezen vizsgálatok után a probléma nem oldódik meg, zárja el a vízcsapot, kapcsolja ki a mosógépet, és hívja ki a szervizszolgálatot. Ha a lakás egy épület legfelsőbb emeleteinek egyikén található, lehetséges, hogy a csatornaszellőző eltömődésének jelensége (szivornyahatás) lépett fel, ezért a mosógép folytonosan szívja, és leereszti a vizet. E kellemetlenség elkerülésére a kereskedelmi forgalomban rendelkezésre állnak csatornaszellőző-szelepek.

A mosógép nem üríti le a vizet, vagy nem centrifugál.

- A program nem ereszti le a vizet: néhány programnál a vizet kézzel kell leereszteni.
- A VASALÁSKÖNNYÍTÉS funkció be lett kapcsolva – a program befejezéséhez nyomja meg az ELINDÍTÁS/SZÜNETELTETÉS gombot (lásd „Egyéni beállítások”).
- A leeresztőcső meg van törve (lásd „Üzembe helyezés”).
- A lefolyó el van dugulva.

A mosógép nagyon rázkódik a centrifugálás alatt.

- Az üzembe helyezéskor a forgódob rögzítése nem lett eltávolítva (lásd „Üzembe helyezés”).
- A készülék nincs vízszintben (lásd „Üzembe helyezés”).
- A mosógép bútorok és falak közé van szorítva (lásd „Üzembe helyezés”).

A mosógépből elfolyik a víz.

- A vízbevezető cső nincs jól felcsavarva (lásd „Üzembe helyezés”).
- A mosószer-adagoló fiók eltömődött (tisztításához lásd „Karbantartás és ápolás”).
- A leeresztőcső nincs szorosan rögzítve (lásd „Üzembe helyezés”).

Az ELINDÍTÁS/SZÜNETELTETÉS lámpa (narancssárga), valamint a funkciólámpák gyorsan villognak.

- Kapcsolja ki a készüléket, és húzza ki a dugót a konnektorból, várjon körülbelül 1 percet, majd indítsa újra!
Ha a hiba továbbra is fennáll, forduljon a szervizhez!

Sok hab képződik.

- A mosószer nem mosógépekhez való (kell, hogy szerepeljen rajta, hogy „gépi”, „kézi vagy gépi mosáshoz”, vagy hasonló).
- Túl sok mosószert használt.

HU

Mielőtt a szervizhez fordulna:

- Győződjön meg arról, hogy a hibát nem tudja saját maga is elhárítani (lásd „*Rendellenességek és elhárításuk*”);
- Indítsa újra a programot, hogy lássa, elhárította-e a hibát;
- Ellenkező esetben forduljon az engedéllyel rendelkező szakszervizhez a garanciajegyen található telefonszámon.

! Soha ne forduljon engedéllyel nem rendelkező szerelőhöz!

Közölje:

- a meghibásodás jellegét;
- a mosógép típusát (Mod.);
- a gyártási számot (S/N).

Ezek az adatok a mosógép hátoldalán, illetve az elülső oldalon az ajtó belsején elhelyezett adattáblán találhatóak.